

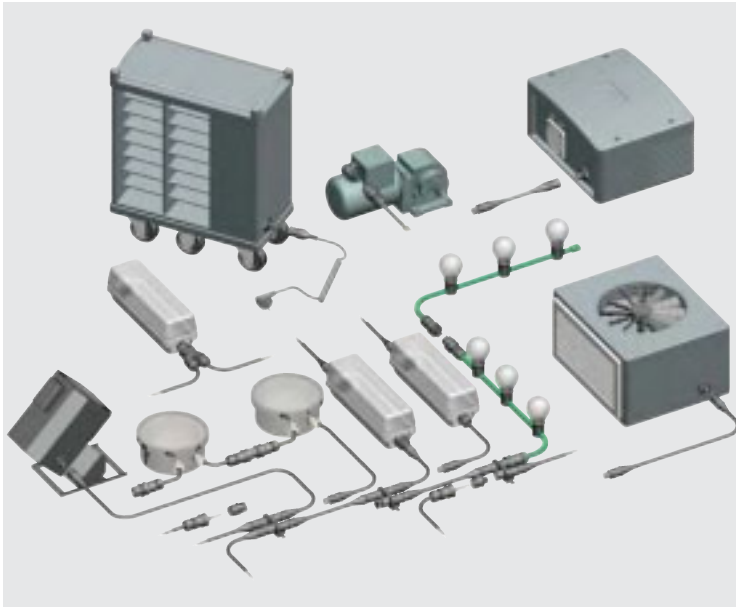
gesis[®]



RST 20i3

Mains, 3 pole

Application example



General

The 3 pole connectors come in two variations. The standard version for general mains applications, and a green coding for applications in multi-phase systems.

Both connectors are mechanically coded. This means that only associated pairs of male and female can be connected with the correct polarity. You therefore have the security of a clear separation of different applications without having to redo any incorrect connections.

The color of the connectors indicates the links that belong together.

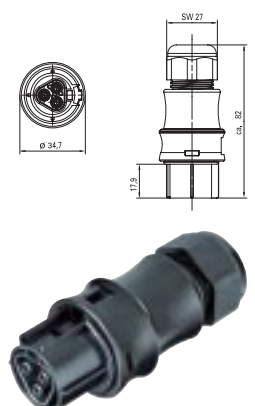


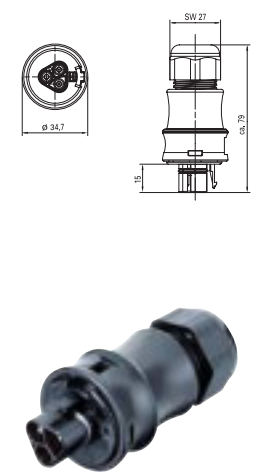


RST 20i3

Coding

| | | | | | Application | | |
|--------------------|----------------------------------------------------------|-----------------------------------------|-----------------------|----------------------------|----------------------|----------------------|----------------------|
| | | | | | Mains 250 V | Mains 250/400 V | |
| | | | | | Mechanical coding | | |
| | | | | | L, N, ground | 1, 2, ground | |
| | | | | | | | |
| Name | Description | Connection style | Strain relief housing | Connection points per pole | gray | black | green |
| Connectors | 1 x cable entry | Screw technology Spring clamp techn. | yes | 1 | | | |
| | 2 x cable entry | Screw technology Spring clamp techn. | yes | 2 | | | |
| Distribution units | Distribution block 1 E/3 A | | | | | | |
| | RST compact distributor/ multi distributor | | | | available on request | available on request | available on request |
| | Individual distribution box | | | | available on request | available on request | available on request |
| Cable assemblies | Connection cable Male – Free end | pre-assembled | pre-assembled | pre-assembled | | | |
| | Connection cable Female – Free end | | | | | | |
| | Extension cable Male – Female | | | | | | |
| | Connection cable Ground – Female | | | | | | |
| | Connection cable Contour European plug SK II – Female | | | | | | |

Connectors

Connector for cables of Ø 6 – 10 and 10 – 14 mm

| | | | | <p>With spring clamp connections for rigid cables of 0.5 – 2.5 mm², fine-stranded cables of 0.5 – 1.5 mm² with ferrules, stranded cables of 0.75 – 1.5 mm² with ferrules. Unassembled with cable gland¹⁾ and locking device.</p> <p>See “Technical Data” for sheath and insulation strip lengths as well as the ferrules to be used.</p> | | <p>With screw connection²⁾ for rigid, fine-stranded and stranded cables of 0.75 – 4.0 mm². Unassembled with cable gland¹⁾ and locking device.</p> <p>See “Technical Data” for sheath and insulation strip lengths.</p> | |
|-------------------------|--------------------------------------------------------------------------------------------------|----------------|------------|---------------------------------------------------------------------------------------------------------------------------------------------------------------------------------------------------------------------------------------------------------------------------------------------------------------------------------------------------------------------------------------------|-----------|----------------------------------------------------------------------------------------------------------------------------------------------------------------------------------------------------------------------------------------------------------------|-----------|
| Application | Coding | Cable diameter | Color | Part No. | Std. Pack | Part No. | Std. Pack |
| Female connector | | | |  | | | |
| Mains 250 V |  L, ground, N | 6 – 10 mm | gray black | 96.031.0053.0 | | 96.031.4053.0 | |
| | | 10 – 14 mm | gray black | 96.031.0153.0 | | 96.031.4153.0 | |
| | | 13 – 18 mm | gray black | 96.031.0153.1 | | 96.031.4153.1 | |
| Mains 250/400 V |  1, 2, ground | 6 – 10 mm | green | 96.031.0055.7 | | 96.031.4055.7 | |
| | | 10 – 14 mm | | 96.031.0155.7 | | 96.031.4155.7 | |
| | | 13 – 18 mm | | | | | |
| Application | Coding | Cable diameter | Color | Part No. | Std. Pack | Part No. | Std. Pack |
| Male connector | | | |  | | | |
| Mains 250 V |  L, ground, N | 6 – 10 mm | gray black | 96.032.0053.0 | | 96.032.4053.0 | |
| | | 10 – 14 mm | gray black | 96.032.0153.0 | | 96.032.4153.0 | |
| | | 13 – 18 mm | gray black | 96.032.0153.1 | | 96.032.4153.1 | |
| Mains 250/400 V |  1, 2, ground | 6 – 10 mm | green | 96.032.0055.7 | | 96.032.4055.7 | |
| | | 10 – 14 mm | | 96.032.0155.7 | | 96.032.4155.7 | |
| | | 13 – 18 mm | | | | | |

¹⁾ Cable gland with bend protection available on request
²⁾ With wire protection available on request

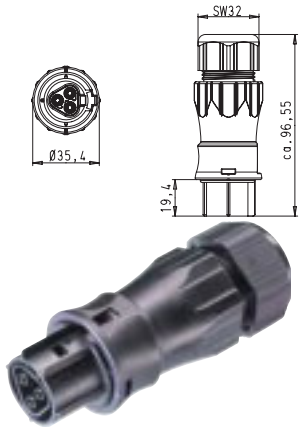
Connector for cable Ø 13 – 18 mm

Splitter connector

With screw connection²⁾ for rigid, fine-stranded and stranded cables of max. 4.0 mm². Unassembled with cable gland and locking device.

See "Technical Data" for sheath and insulation strip lengths.

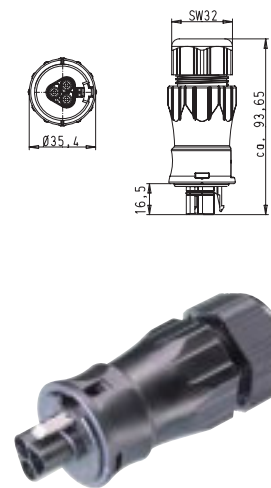
Part No. Std. Pack



96.031.4553.0
96.031.4553.1

96.031.4555.7

Part No. Std. Pack



96.032.4553.0
96.032.4553.1

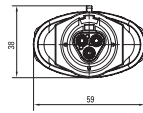
96.032.4555.7

With spring clamp connections for rigid cables of 0.5 – 2.5 mm², fine-stranded cables of 0.5 – 1.5 mm² with ferrules, stranded cables of 0.75 – 1.5 mm² with ferrules. Unassembled with cable gland¹⁾ and locking device.

See "Technical Data" for sheath and insulation strip lengths as well as the ferrules to be used.

Part No. Std. Pack

See "Accessories" for the mounting plate used to fasten the splitter connector.

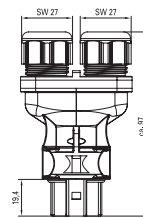


With screw connection²⁾ for rigid, fine-stranded and stranded cables of 0.75 – 2.5 mm². Unassembled with cable gland¹⁾ and locking device.

See "Technical Data" for sheath and insulation strip lengths.

Part No. Std. Pack

See "Accessories" for the mounting plate used to fasten the splitter connector.







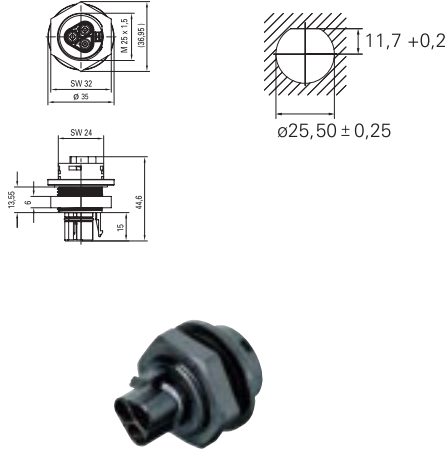
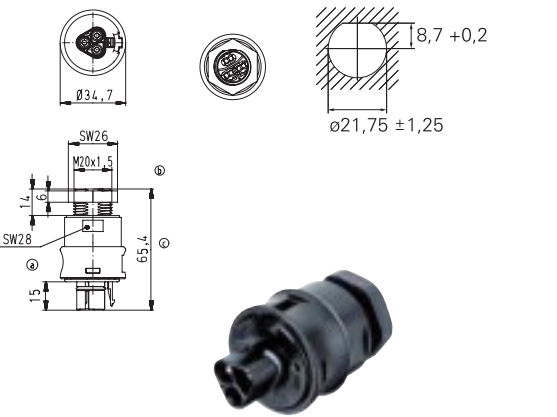
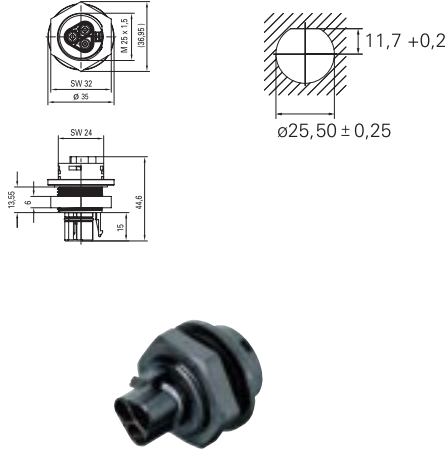
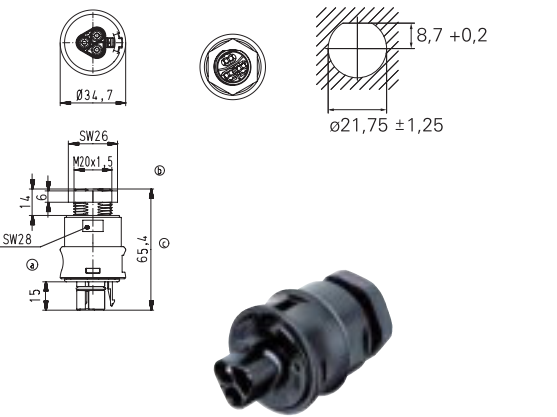


96.031.4253.0
96.031.4253.1
96.031.4353.0
96.031.4353.1

96.031.4255.7
96.031.4255.7

Appliance connectors

Appliance connector M25, standard

Appliance connector M20, modular, straight

| | | Appliance connector M25, standard | | Appliance connector M20, modular, straight | | | | | |
|---------------------------------------------------------------------------------------------------------------------|---------------|-----------------------------------------------------------------------------------------------------------------------------------------------------------------------------------------------------------------------------------------------------------------------------------------------------------------------------------------------------------------------------|-----------|----------------------------------------------------------------------------------------------------------------------------------------------------------------------------------------------------------------------------------------------------------------------|-----------|-----------------------------------------------------------------------------------------------------------------------------------------------------------------------------------------------------------------------------------------------------------------------------------------------------------------------------------|-----------|----------------------------------------------------------------------------------------------------------------------------------------------------------------------------------------------------------------------------------------------------------------------|-----------|
| | | <p>With spring clamp connections for rigid cables of 0.5 – 2.5 mm², fine-stranded cables of 0.5 – 1.5 mm² with ferrules, stranded cables of 0.75 – 1.5 mm² with ferrules. 2 connection points per pole. With locking device. Fixing in position guaranteed by flattening the thread. With M25x1.5 thread, external cable gland.</p> | | <p>With screw connections for rigid, fine-stranded and stranded cables of 0.75 – 4.0 mm². 1 connection point per pole. With locking device. Fixing in position guaranteed by flattening the thread. With M25x1.5 thread, external cable gland.</p> | | <p>igid cables of 0.5 – 2.5 mm², fine-stranded cables of 0.5 – 1.5 mm² with ferrules, stranded cables of 0.75 – 1.5 mm² with ferrules. 2 connection points per pole. With locking device. Fixing in position guaranteed by flattening the thread. With M20x1.5 thread, internal cable gland.</p> | | <p>With screw connections for rigid, fine-stranded and stranded cables of 0.75 – 4.0 mm². 1 connection point per pole. With locking device. Fixing in position guaranteed by flattening the thread. With M20x1.5 thread, internal cable gland.</p> | |
| Application | Color | Part No. | Std. Pack | Part No. | Std. Pack | Part No. | Std. Pack | Part No. | Std. Pack |
| Female connector | | See "Technical Data" for insulation strip lengths and the ferrules to be used. | | See "Technical Data" for insulation strip lengths. | | See "Technical Data" for insulation strip lengths and the ferrules to be used. | | See "Technical Data" for insulation strip lengths. | |
| | |  | |  | | | | | |
| Mains 250 V  L, N, ground | gray black | 96.031.1053.0 96.031.1053.1 | | 96.031.5053.0 96.031.5053.1 | | 96.031.2053.0 96.031.2053.1 | | 96.031.6053.0 96.031.6053.1 | |
| Mains 250/400 V  1, 2, ground | green | 96.031.1055.7 | | 96.031.5055.7 | | 96.031.2055.7 | | 96.031.6055.7 | |
| Application | Color | Part No. | Std. Pack | Part No. | Std. Pack | Part No. | Std. Pack | Part No. | Std. Pack |
| Male connector | |  | |  | | | | | |
| | |  | |  | | | | | |
| Mains 250 V  L, N, ground | gray black | 96.032.1053.0 96.032.1053.1 | | 96.032.5053.0 96.032.5053.1 | | 96.032.2053.0 96.032.2053.1 | | 96.032.6053.0 96.032.6053.1 | |
| Mains 250/400 V  1, 2, ground | green | 96.032.1055.7 | | 96.032.5055.7 | | 96.032.2055.7 | | 96.032.6055.7 | |

Appliance connector M16, modular, straight

Appliance connector M20, modular, angled

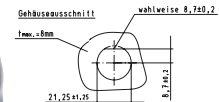
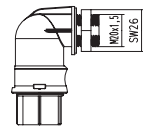
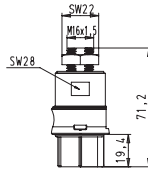
With spring clamp connections for rigid cables of 0.5 – 2.5 mm², fine-stranded cables of 0.5 – 1.5 mm² with ferrules, stranded cables of 0.75 – 1.5 mm² with ferrules. 2 connection points per pole. With locking device. Fixing in position guaranteed by flattening the thread. With M16x1.5 thread, internal cable gland.

With screw connections for rigid, fine-stranded and stranded cables of 0.75 – 4.0 mm². 1 connection point per pole. With locking device. Fixing in position guaranteed by flattening the thread. With M16x1.5 thread, internal cable gland.

With spring clamp connections for rigid cables of 0.5 – 2.5 mm², fine-stranded cables of 0.5 – 1.5 mm² with ferrules, stranded cables of 0.75 – 1.5 mm² with ferrules. 2 connection points per pole. With locking device. Fixing in position guaranteed by flattening the thread. With M20x1.5 thread, internal cable gland.

With screw connections for rigid, fine-stranded and stranded cables of 0.75 – 4.0 mm². 1 connection point per pole. With locking device. Fixing in position guaranteed by flattening the thread. With M20x1.5 thread, internal cable gland.

Female connector



Mains 250 V
L, N, ground

gray/black
96.031.2153.0
96.031.2153.1

96.031.6153.0
96.031.6153.1

96.033.2053.0
96.033.2053.1

96.033.6053.0
96.033.6053.1

Mains 250/400 V
1, 2, ground

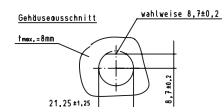
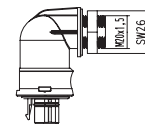
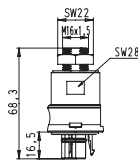
green
96.031.2155.7

96.031.6155.7

96.033.2055.7

96.033.6055.7

Male connector



Mains 250 V
L, N, ground

gray/black
96.032.2153.0
96.032.2153.1

96.032.6153.0
96.032.6153.1

96.034.2053.0
96.034.2053.1

96.034.6053.0
96.034.6053.1

Mains 250/400 V
1, 2, ground

green
96.032.2155.7

96.032.6155.7

96.034.2055.7

96.034.6055.7

Cable assemblies, 1.5 mm²

| | | Extension cable | | Connection cable | | Connection cable | | Mains connection cable | |
|----------------------------------------------------------------------------------------------------------------------------------|--|--------------------------------------|---------------|------------------------------------------------------------|-----------|----------------------------------------------------------------------------|-----------|-------------------------------------|--|
| | | H05VV-F 3G1,5 | | H05VV-F 3G1,5 | | H05VV-F 3G1,5 | | H05VV-F 3G1,5 mm ² | |
| | | Female – Male with locking device | | Female – Free end with ultrasonically welded wire ends | | Male – Free end with ultrasonically welded wire ends and locking device | | Safety plug RST female connector | |
| | | | | Cable strip length: 35 mm Insulation strip length: 9 mm | | Cable strip length: 35 mm Insulation strip length: 9 mm | | | |
| <p>Cable assemblies</p> <p>N = bl L = br ground = gn/yl</p> <p>Cable¹⁾ and shrinkage tube in black</p> | | | | | | | | | |
| | | | | | | | | | |
| Length ²⁾ | | Part No. | Std. Pack | Part No. | Std. Pack | Part No. | Std. Pack | | |
| Mains 250 V | | Black insulation | | | | | | | |
| L, N, ground | | 1.0 m | 96.232.1000.1 | 96.232.1003.1 | | 96.232.1004.1 | | | |
| | | 2.0 m | 96.232.2000.1 | 96.232.2003.1 | | 96.232.2004.1 | | | |
| | | 3.0 m | 96.232.3000.1 | 96.232.3003.1 | | 96.232.3004.1 | | | |
| | | 4.0 m | 96.232.4000.1 | 96.232.4003.1 | | 96.232.4004.1 | | | |
| | | 5.0 m | 96.232.5000.1 | 96.232.5003.1 | | 96.232.5004.1 | | | |
| | | 6.0 m | 96.232.6000.1 | 96.232.6003.1 | | 96.232.6004.1 | | | |
| | | 7.0 m | 96.232.7000.1 | 96.232.7003.1 | | 96.232.7004.1 | | | |
| | | 8.0 m | 96.232.8000.1 | 96.232.8003.1 | | 96.232.8004.1 | | | |
| | | Gray insulation | | | | | | | |
| | | 1.0 m | 96.232.1000.0 | 96.232.1003.0 | | 96.232.1004.0 | | All gray | |
| | | 2.0 m | 96.232.2000.0 | 96.232.2003.0 | | 96.232.2004.0 | | 99.706.0000.7 | |
| | | 3.0 m | 96.232.3000.0 | 96.232.3003.0 | | 96.232.3004.0 | | 99.707.0000.7 | |
| | | 4.0 m | 96.232.4000.0 | 96.232.4003.0 | | 96.232.4004.0 | | 1.5 m | |
| | | 5.0 m | 96.232.5000.0 | 96.232.5003.0 | | 96.232.5004.0 | | 2.5 m | |
| | | 6.0 m | 96.232.6000.0 | 96.232.6003.0 | | 96.232.6004.0 | | | |
| | | 7.0 m | 96.232.7000.0 | 96.232.7003.0 | | 96.232.7004.0 | | | |
| | | 8.0 m | 96.232.8000.0 | 96.232.8003.0 | | 96.232.8004.0 | | | |
| Mains 250/400 V | | Green insulation | | | | | | | |
| 1, 2, ground | | 1.0 m | 96.232.1001.7 | 96.232.1005.7 | | 96.232.1006.7 | | | |
| | | 2.0 m | 96.232.2001.7 | 96.232.2005.7 | | 96.232.2006.7 | | | |
| | | 3.0 m | 96.232.3001.7 | 96.232.3005.7 | | 96.232.3006.7 | | | |
| | | 4.0 m | 96.232.4001.7 | 96.232.4005.7 | | 96.232.4006.7 | | | |
| | | 5.0 m | 96.232.5001.7 | 96.232.5005.7 | | 96.232.5006.7 | | | |
| | | 6.0 m | 96.232.6001.7 | 96.232.6005.7 | | 96.232.6006.7 | | | |
| | | 7.0 m | 96.232.7001.7 | 96.232.7005.7 | | 96.232.7006.7 | | | |
| | | 8.0 m | 96.232.8001.7 | 96.232.8005.7 | | 96.232.8006.7 | | | |

¹⁾ Other cables available on request

²⁾ Other lengths available on request

Extension cable

Connection cable

Connection cable

Mains connection cable *Mains, 3 pole*

H07RN-F 3G1,5

Female – Male
with locking device

H07RN-F 3G1,5

Female – Free end
with ultrasonically welded wire ends

H07RN-F 3G1,5

Male – Free end
with ultrasonically welded wire ends and locking device

H07RN-F 3G1,5

Safety plug
with splash guard
RST female connector

Cable strip length: 35 mm
Insulation strip length: 9 mm

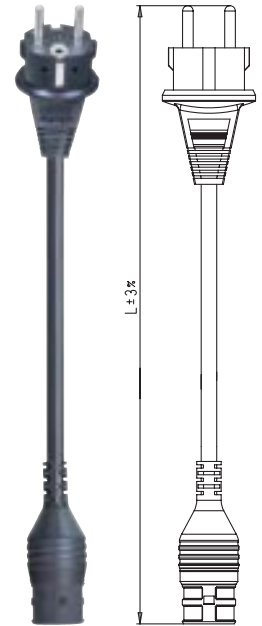
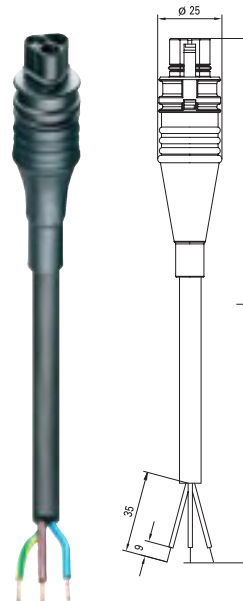
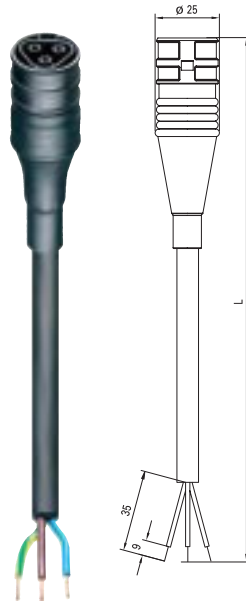
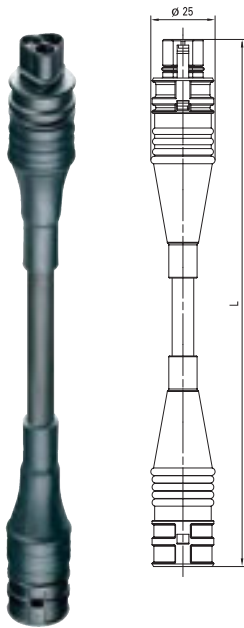
Cable strip length: 35 mm
Insulation strip length: 9 mm

Cable assemblies



N = bl
L = br
ground = gn/yl

Cable¹⁾ and shrinkage tube in black



Length²⁾

Part No. Std. Pack

Part No. Std. Pack

Part No. Std. Pack

All black
99.704.0000.7 1.5 m
99.705.0000.7 2.5 m

Mains 250 V
L, N, ground

1.0 m
2.0 m
3.0 m
4.0 m
5.0 m
6.0 m
7.0 m
8.0 m



Female



Male

Black insulation

96.232.1030.1
96.232.2030.1
96.232.3030.1
96.232.4030.1
96.232.5030.1
96.232.6030.1
96.232.7030.1
96.232.8030.1

96.232.1033.1
96.232.2033.1
96.232.3033.1
96.232.4033.1
96.232.5033.1
96.232.6033.1
96.232.7033.1
96.232.8033.1

96.232.1034.1
96.232.2034.1
96.232.3034.1
96.232.4034.1
96.232.5034.1
96.232.6034.1
96.232.7034.1
96.232.8034.1

Gray insulation

96.232.1030.0
96.232.2030.0
96.232.3030.0
96.232.4030.0
96.232.5030.0
96.232.6030.0
96.232.7030.0
96.232.8030.0

96.232.1033.0
96.232.2033.0
96.232.3033.0
96.232.4033.0
96.232.5033.0
96.232.6033.0
96.232.7033.0
96.232.8033.0

96.232.1034.0
96.232.2034.0
96.232.3034.0
96.232.4034.0
96.232.5034.0
96.232.6034.0
96.232.7034.0
96.232.8034.0

Mains
250/400 V
1, 2, ground

1.0 m
2.0 m
3.0 m
4.0 m
5.0 m
6.0 m
7.0 m
8.0 m



Female



Male

Green insulation

96.232.1031.7
96.232.2031.7
96.232.3031.7
96.232.4031.7
96.232.5031.7
96.232.6031.7
96.232.7031.7
96.232.8031.7


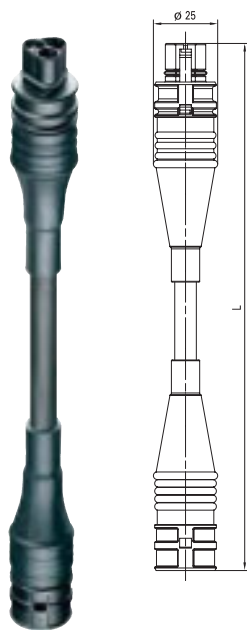
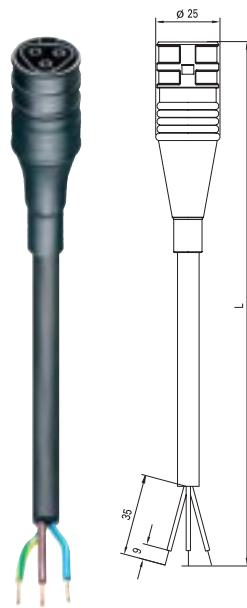





96.232.1035.7
96.232.2035.7
96.232.3035.7
96.232.4035.7
96.232.5035.7
96.232.6035.7
96.232.7035.7
96.232.8035.7

96.232.1036.7
96.232.2036.7
96.232.3036.7
96.232.4036.7
96.232.5036.7
96.232.6036.7
96.232.7036.7
96.232.8036.7

¹⁾ Other cables available on request

²⁾ Other lengths available on request

Cable assemblies, 2.5 mm²

| | | Extension cable | | Connection cable | | Connection cable | | |
|---------------------------------------------------------------------------------------------------------------------------------------------------------------------------------------------------------------------------------|---------------|------------------------------------------------------------------------------------|------------------------|------------------------------------------------------------------------------------|---------------|--------------------------------------------------------------------------------------|----------|-----------|
| | | H05VV-F 3G2,5 | | H05VV-F 3G2,5 | | H05VV-F 3G2,5 | | |
| | | Female – Male with locking device | | Female – Free end with ultrasonically welded wire ends | | Male – Free end with ultrasonically welded wire ends and locking device | | |
| | | | | Cable strip length: 35 mm Insulation strip length: 9 mm | | Cable strip length: 35 mm Insulation strip length: 9 mm | | |
| <p>Cable assemblies</p>  <p>N = bl L = br ground = gn/yl</p> <p>Cable¹⁾ and shrinkage tube in black</p> | |  | |  | |  | | |
| | | Length ²⁾ | Part No. | Std. Pack | Part No. | Std. Pack | Part No. | Std. Pack |
| Mains 250 V L, N, ground  Female  Male | | Black insulation | | | | | | |
| | 1.0 m | 96.233.1000.1 | | 96.233.1003.1 | | 96.233.1004.1 | | |
| | 2.0 m | 96.233.2000.1 | | 96.233.2003.1 | | 96.233.2004.1 | | |
| | 3.0 m | 96.233.3000.1 | | 96.233.3003.1 | | 96.233.3004.1 | | |
| | 4.0 m | 96.233.4000.1 | | 96.233.4003.1 | | 96.233.4004.1 | | |
| | 5.0 m | 96.233.5000.1 | | 96.233.5003.1 | | 96.233.5004.1 | | |
| | 6.0 m | 96.233.6000.1 | | 96.233.6003.1 | | 96.233.6004.1 | | |
| | 7.0 m | 96.233.7000.1 | | 96.233.7003.1 | | 96.233.7004.1 | | |
| | 8.0 m | 96.233.8000.1 | | 96.233.8003.1 | | 96.233.8004.1 | | |
| | | | Gray insulation | | | | | |
| | 1.0 m | 96.233.1000.0 | | 96.233.1003.0 | | 96.233.1004.0 | | |
| | 2.0 m | 96.233.2000.0 | | 96.233.2003.0 | | 96.233.2004.0 | | |
| | 3.0 m | 96.233.3000.0 | | 96.233.3003.0 | | 96.233.3004.0 | | |
| | 4.0 m | 96.233.4000.0 | | 96.233.4003.0 | | 96.233.4004.0 | | |
| | 5.0 m | 96.233.5000.0 | | 96.233.5003.0 | | 96.233.5004.0 | | |
| | 6.0 m | 96.233.6000.0 | | 96.233.6003.0 | | 96.233.6004.0 | | |
| 7.0 m | 96.233.7000.0 | | 96.233.7003.0 | | 96.233.7004.0 | | | |
| 8.0 m | 96.233.8000.0 | | 96.233.8003.0 | | 96.233.8004.0 | | | |
| Mains 250/400 V 1, 2, ground  Female  Male | | Green insulation | | | | | | |
| | 1.0 m | 96.233.1001.7 | | 96.233.1005.7 | | 96.233.1006.7 | | |
| | 2.0 m | 96.233.2001.7 | | 96.233.2005.7 | | 96.233.2006.7 | | |
| | 3.0 m | 96.233.3001.7 | | 96.233.3005.7 | | 96.233.3006.7 | | |
| | 4.0 m | 96.233.4001.7 | | 96.233.4005.7 | | 96.233.4006.7 | | |
| | 5.0 m | 96.233.5001.7 | | 96.233.5005.7 | | 96.233.5006.7 | | |
| | 6.0 m | 96.233.6001.7 | | 96.233.6005.7 | | 96.233.6006.7 | | |
| | 7.0 m | 96.233.7001.7 | | 96.233.7005.7 | | 96.233.7006.7 | | |
| 8.0 m | 96.233.8001.7 | | 96.233.8005.7 | | 96.233.8006.7 | | | |

¹⁾ Other cables available on request

²⁾ Other lengths available on request

Extension cable

Connection cable

Connection cable

H07RN-F 3G2,5

Female – Male
with locking device

H07RN-F 3G2,5

Female – Free end
with ultrasonically welded wire ends

H07RN-F 3G2,5

Male – Free end
with ultrasonically welded wire ends and locking device

Cable strip length: 35 mm
Insulation strip length: 9 mm

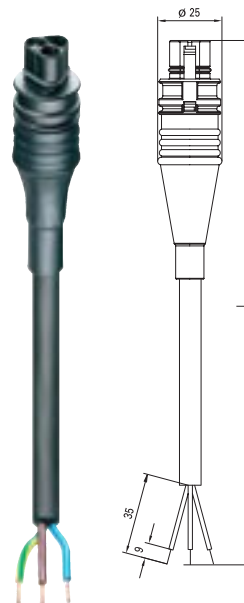
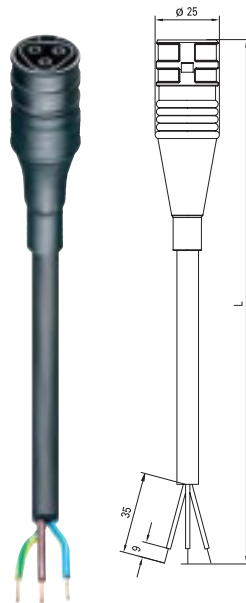
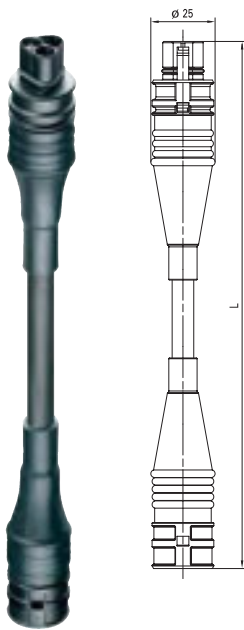
Cable strip length: 35 mm
Insulation strip length: 9 mm





Cable assemblies



N = bl
L = br
ground = gn/yl

Cable¹⁾ and shrinkage tube in black



| | Length ²⁾ | Part No. | Std. Pack | Part No. | Std. Pack | Part No. | Std. Pack |
|-------------------------------------------------------------------------------------------------------------------------------------------------------------------------------------------------------------------------------|----------------------|-------------------------|---------------|---------------|---------------|---------------|-----------|
| Mains 250 V L, N, ground  Female  Male | | Black insulation | | | | | |
| | 1.0 m | 96.233.1030.1 | | 96.233.1033.1 | | 96.233.1034.1 | |
| | 2.0 m | 96.233.2030.1 | | 96.233.2033.1 | | 96.233.2034.1 | |
| | 3.0 m | 96.233.3030.1 | | 96.233.3033.1 | | 96.233.3034.1 | |
| | 4.0 m | 96.233.4030.1 | | 96.233.4033.1 | | 96.233.4034.1 | |
| | 5.0 m | 96.233.5030.1 | | 96.233.5033.1 | | 96.233.5034.1 | |
| | 6.0 m | 96.233.6030.1 | | 96.233.6033.1 | | 96.233.6034.1 | |
| | 7.0 m | 96.233.7030.1 | | 96.233.7033.1 | | 96.233.7034.1 | |
| | 8.0 m | 96.233.8030.1 | | 96.233.8033.1 | | 96.233.8034.1 | |
| | 1.0 m | 96.233.1030.0 | | 96.233.1033.0 | | 96.233.1034.0 | |
| | 2.0 m | 96.233.2030.0 | | 96.233.2033.0 | | 96.233.2034.0 | |
| | 3.0 m | 96.233.3030.0 | | 96.233.3033.0 | | 96.233.3034.0 | |
| | 4.0 m | 96.233.4030.0 | | 96.233.4033.0 | | 96.233.4034.0 | |
| | 5.0 m | 96.233.5030.0 | | 96.233.5033.0 | | 96.233.5034.0 | |
| | 6.0 m | 96.233.6030.0 | | 96.233.6033.0 | | 96.233.6034.0 | |
| | 7.0 m | 96.233.7030.0 | | 96.233.7033.0 | | 96.233.7034.0 | |
| 8.0 m | 96.233.8030.0 | | 96.233.8033.0 | | 96.233.8034.0 | | |
| Mains 250/400 V 1, 2, ground  Female  Male | | Green insulation | | | | | |
| | 1.0 m | 96.233.1031.7 | | 96.233.1035.7 | | 96.233.1036.7 | |
| | 2.0 m | 96.233.2031.7 | | 96.233.2035.7 | | 96.233.2036.7 | |
| | 3.0 m | 96.233.3031.7 | | 96.233.3035.7 | | 96.233.3036.7 | |
| | 4.0 m | 96.233.4031.7 | | 96.233.4035.7 | | 96.233.4036.7 | |
| | 5.0 m | 96.233.5031.7 | | 96.233.5035.7 | | 96.233.5036.7 | |
| | 6.0 m | 96.233.6031.7 | | 96.233.6035.7 | | 96.233.6036.7 | |
| | 7.0 m | 96.233.7031.7 | | 96.233.7035.7 | | 96.233.7036.7 | |
| | 8.0 m | 96.233.8031.7 | | 96.233.8035.7 | | 96.233.8036.7 | |

¹⁾ Other cables available on request

²⁾ Other lengths available on request

Distribution units

Distribution block, 1E/3A

Distribution block, 1E/3A

| | | with mounting option with locking levers 1 input, male connector, 3 pole 3 outputs, female connector, 3 pole | without mounting option with locking levers 1 input, male connector, 3 pole 3 outputs, female connector, 3 pole | | | | |
|---------------------------------------|---------------|--------------------------------------------------------------------------------------------------------------------------|-----------------------------------------------------------------------------------------------------------------------------|--------------------------------|-----------|--|--|
| Color | | Part No. | Std. Pack | Part No. | Std. Pack | | |
| | | | | | | | |
| Mains 250 V L, N, ground | gray black | 96.030.0153.0 96.030.0153.1 | | 96.030.0253.0 96.030.0253.1 | | | |
| Mains 250/400 V 1, 2, ground | green | 96.030.0155.7 | | 96.030.0255.7 | | | |

RST compact distributor

RST multi distributor

Distribution box

- Equip as needed with M25 appliance connectors 2 to 5 pole
- 1 input; 3 outputs
- pre-wired with 2.5 mm²
- with mounting option

- Equip as needed with M25 appliance connectors 2 to 5 pole
- 1 input; 7 outputs (max.)
- Safety fuses 6.3 or 10 A can be integrated
- pre-wired with 2.5 mm²
- with mounting option

The individual distribution boxes offer optimum solutions for your specific application. The distributors are available in different dimensions and can accept DIN rail mounted devices and terminal blocks in any combination. Further connection to the consumer devices is carried out by the **gesis** IP+ connector system. Distribution blocks manufactured and tested according to specific customer requirements can be delivered to the construction site as pre-assembled components. The locking devices are already integrated.

Part No. Std. Pack

Part No. Std. Pack

Part No. Std. Pack



Forecasted for the 4th quarter of 2006

Forecasted for the 4th quarter of 2006

Available on request