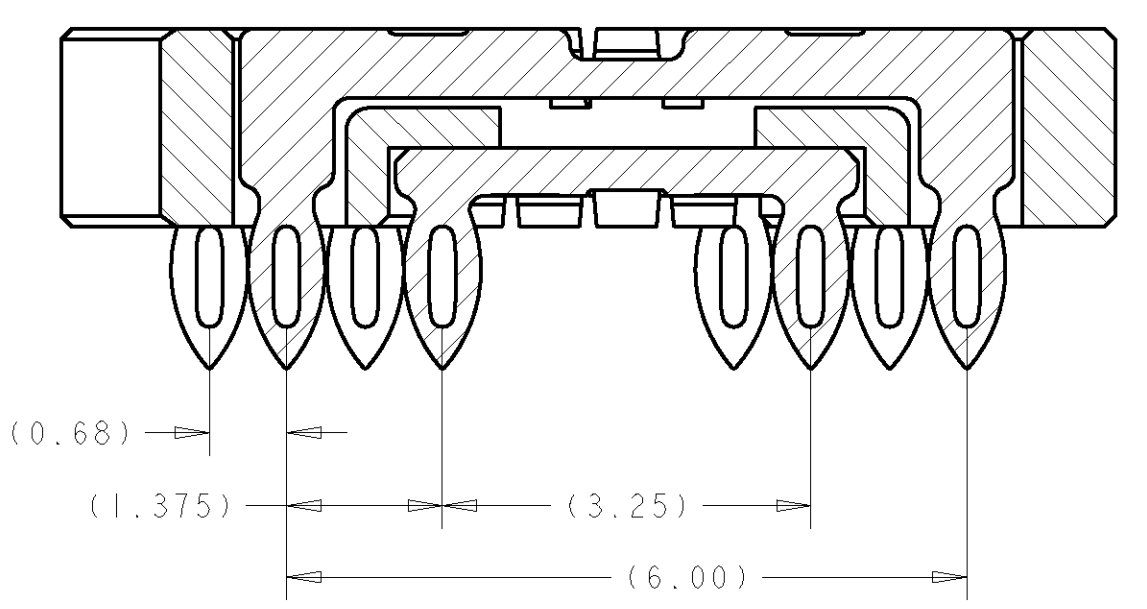
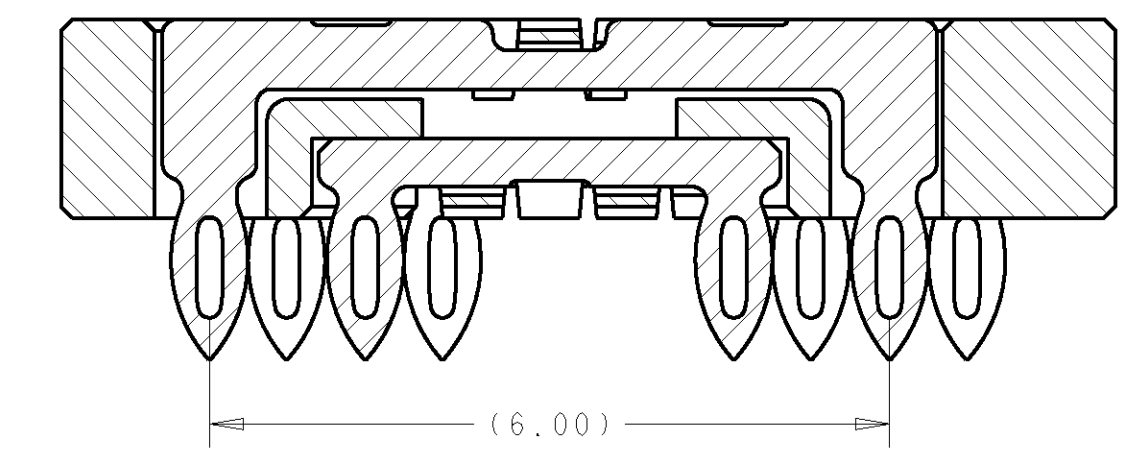
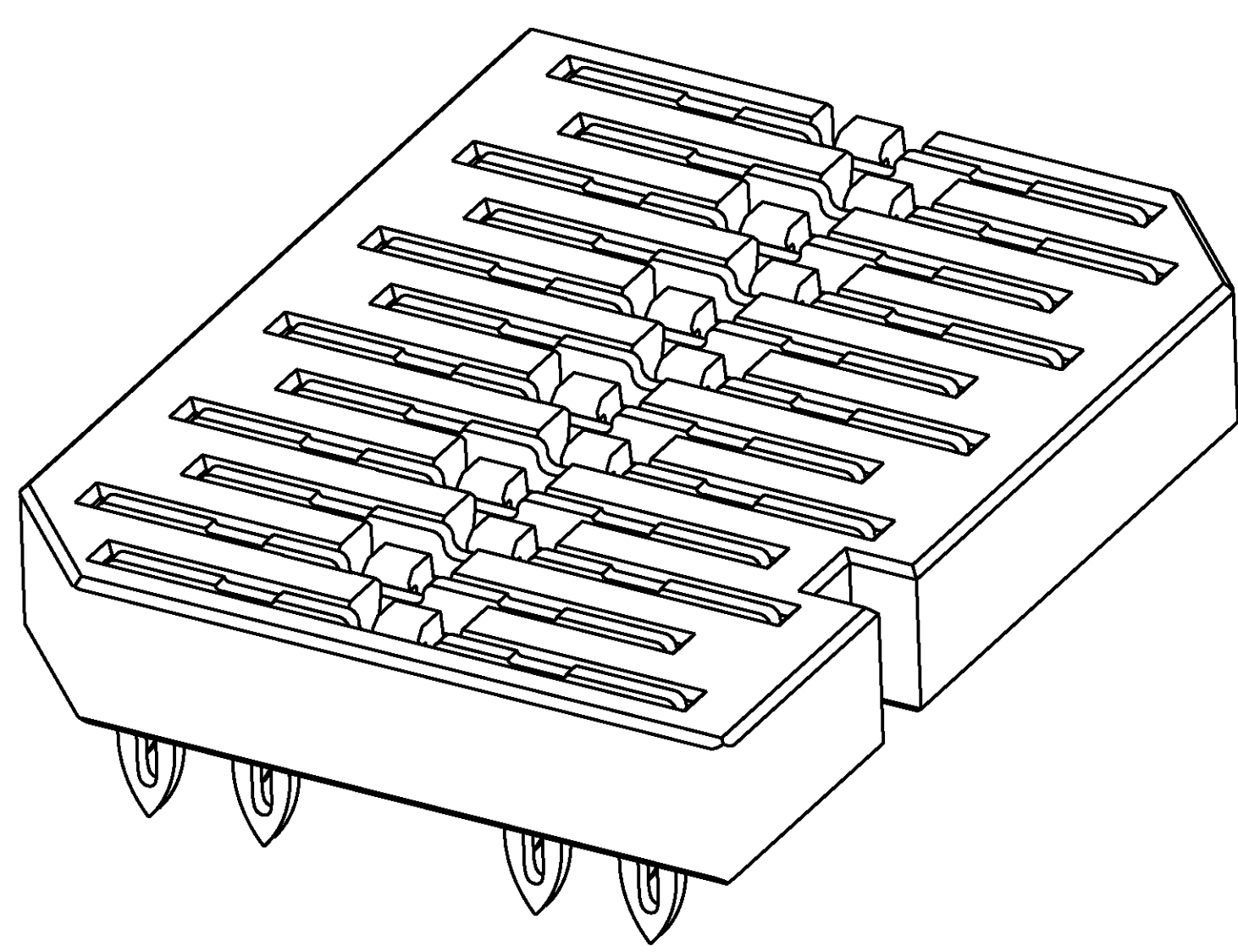


LOC	DATE	DESCRIPTION	DATE	DRW	APVD
1	25MAR2010	PROPOSED	25MAR2010	DRR	MS
2	31MAR2010	REVISED	31MAR2010	DRR	MS

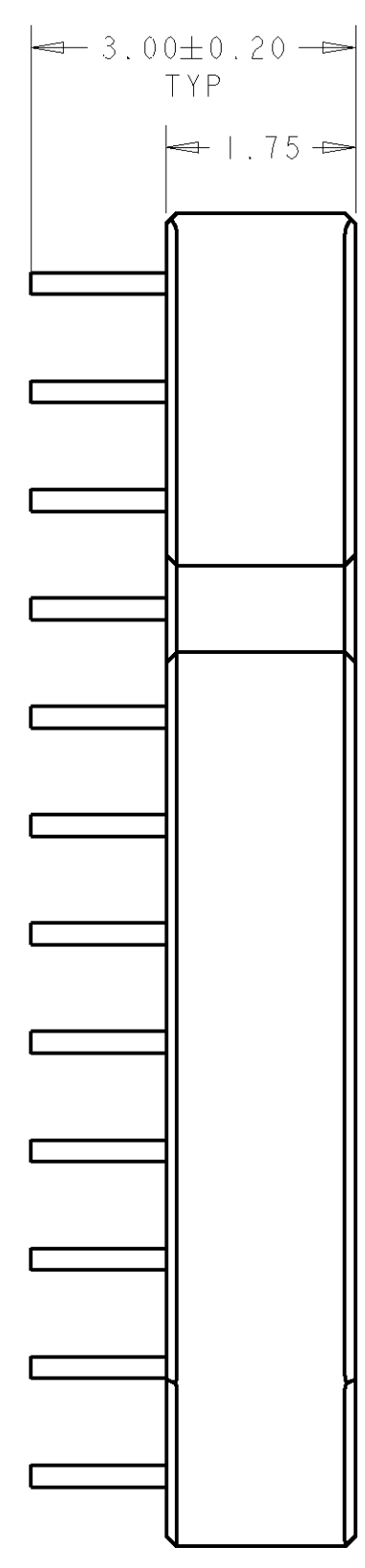
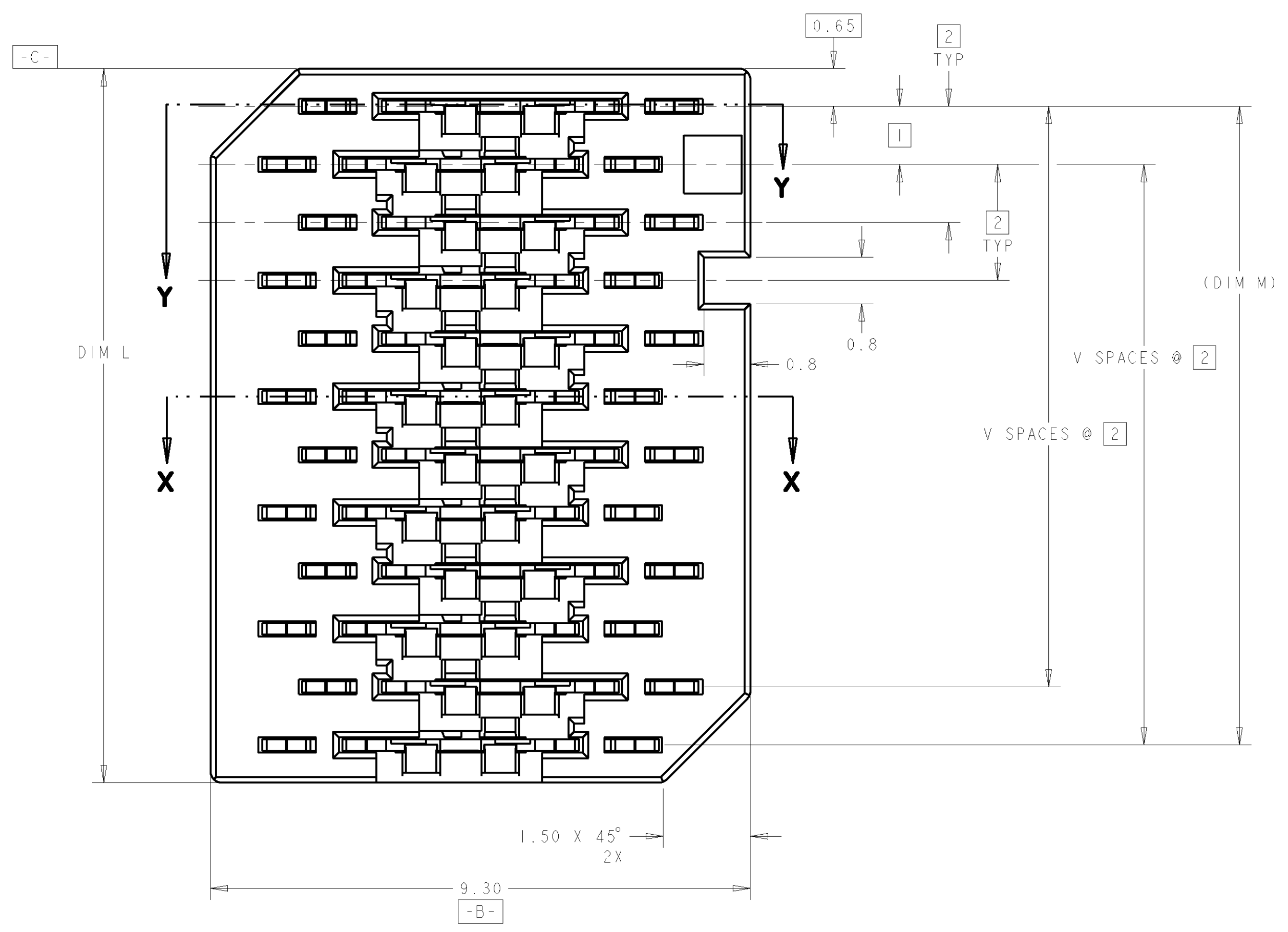


SECTION Y-Y



SECTION X-X

- 1 MATERIAL:
CONTACT - PHOS. BRONZE
HOUSING - THERMO PLASTIC
- 2 FINISH: CONTACT
COMPLIANT PIN AREA - 0.5 - 2.5µm MATTE TIN OVER 1.27µm MIN NICKEL ALL OVER.
- 3 REGISTRATION HOLE TO PIN CLEARANCE: 0.00 - 0.10 mm
- 4 SEATING TOLERANCE (0-0.1mm)
- 5 PACKAGE: TUBES
- 6 IMMERSION TIN:
FINISHED HOLE = $\varnothing 0.574 \pm 0.05$
DRILLED HOLE = $\varnothing 0.65 \pm 0.02$
COPPER PLATING = 0.038 ± 0.013
FINISH PLATING = 0.00051 ± 0.00013
- IMMERSION SILVER:
FINISHED HOLE = $\varnothing 0.574 \pm 0.05$
DRILLED HOLE = $\varnothing 0.65 \pm 0.02$
COPPER PLATING = 0.038 ± 0.013
FINISH PLATING = 0.00025 ± 0.00005

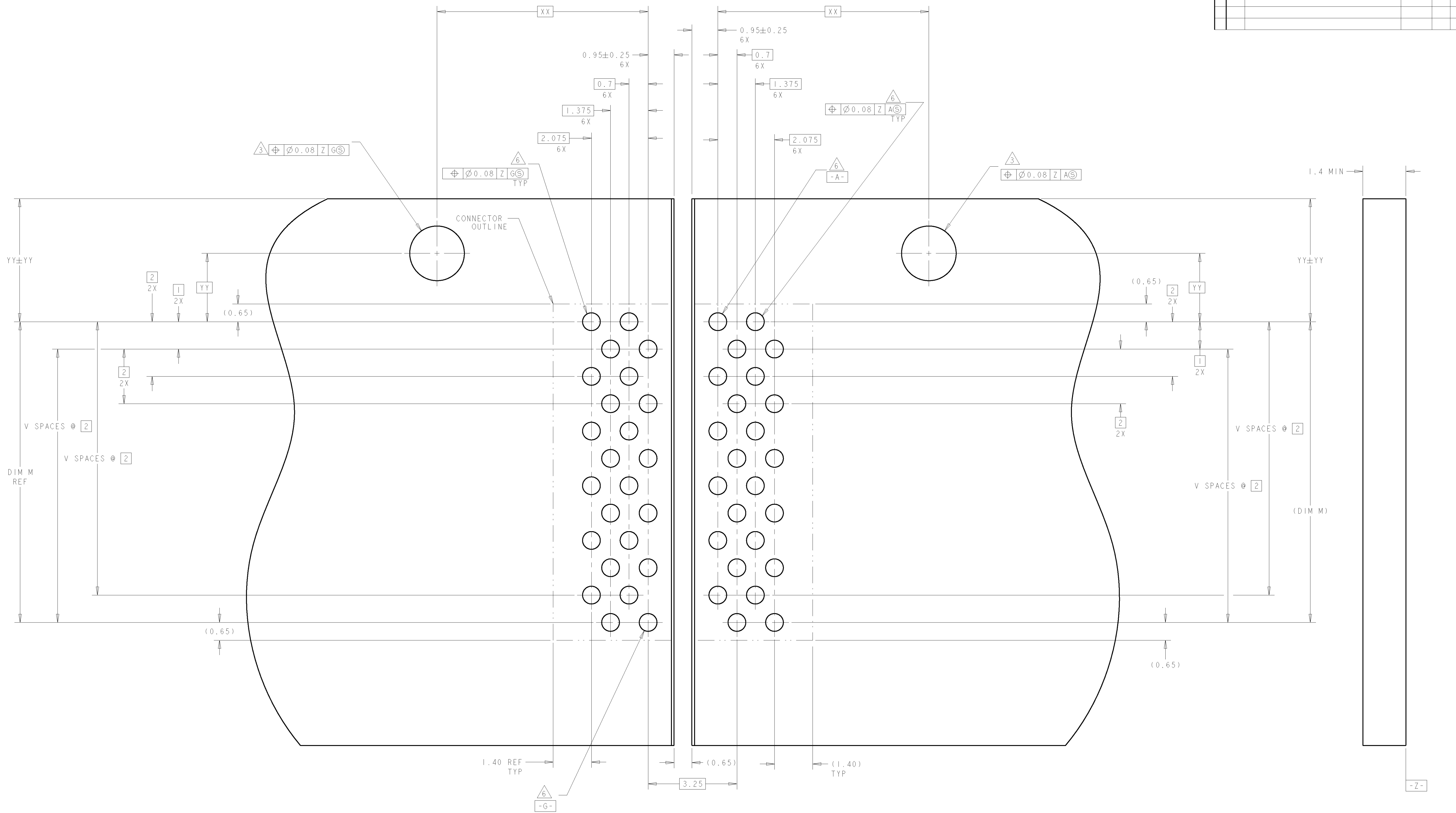


THIS PRINT IS
PRELIMINARY
 UNQUALIFIED PRODUCT
 CONTACT PRODUCT ENGINEERING
 BEFORE USING THIS PRINT

12.30	11	5	24	2-2143362-4
10.30	9	4	20	2-2143362-0
DIM L	DIM M	V - SPACES	POSITIONS	PART NUMBER

DIMENSIONS: mm TOLERANCES UNLESS OTHERWISE SPECIFIED: 9 PLC ± 5 PLC ± 0.10 4 PLC ± 0.100 ANGLES ± 0°		DWN: D. RINGLER 25MAR2010 CHK: M. SYPOLT 25MAR2010 APVD: J. FEDDER 25MAR2010		Tyco Electronics Harrisburg, PA 17105-3608	
MATERIAL:		FINISH:		PRODUCT SPEC: 108-2421 APPLICATION SPEC: 114-13273	
CUSTOMER DRAWING		WEIGHT: -		SIZE: A 00779 C=2143362	
SCALE: 15:1		SHEET: 1 OF 2		REV: 2	

LOC	DIST	REV	DATE	BY	APPD
-	-	1	SEE SHEET 1	-	-



THIS PRINT IS
PRELIMINARY
 UNQUALIFIED PRODUCT
 CONTACT PRODUCT ENGINEERING
 BEFORE USING THIS PRINT

DIMENSIONS: mm 		TOLERANCES UNLESS OTHERWISE SPECIFIED: 0 PLC ± 1 PLC ±0.10 2 PLC ±0.10 3 PLC ±0.100 4 PLC ± ANGLES ±0°		DWN D. RINGLER 25MAR2010 CHK M. SYPOLT 25MAR2010 APVD J. FEDDER 25MAR2010		Tyco Electronics Harrisburg, PA 17105-3608	
MATERIAL FINISH		PRODUCT SPEC 108-2421 APPLICATION SPEC 114-13273		NAME PRESS FIT FRAME CONNECTOR		SIZE CAGE CODE DRAWING NO A100779C-2143362	
CUSTOMER DRAWING		WEIGHT -		RESTRICTED TO -		SCALE 15:1 SHEET 2 OF 2 REV 2	