



RJFRB allows you to use an Ethernet Class D / Cat. 5e and Class E/Cat 6 connection for 10 BaseT, 100 BaseTX or 1000 BaseT networks in harsh environments. With the patented RJStop® system you can use a standard RJ45 cordset in a protective composite plug which will protect it from shocks, dust and fluids. **No hazardous on-field cabling and grounding!**

MAIN CHARACTERISTICS

- Sealed against fluids and dust (IP67)
- Shock, Vibration and Traction resistant
- No cabling operation in field, no tools required
- **Reverse bayonet coupling**
- RJ45 cordset retention in the plug: 70 N in the axis
- Mating cycles: 500 min



IDC Receptacle



PCB Receptacle



ROHS COMPLIANT

Applications

- Telecom Equipments
- Video Control
- Robotics
- Industrial Process Control
- CNC Machines
- Special Machines
- Motion Control

Environmental Protection

- Sealing: IP67
- Salt Spray > 1000 h
- Fire Retardant / Low Smoke: UL94 V0 and NFF 16102, DIN 5510-2
- Thermal Shock: 5 cycles at - 40°C / +100°C
- Operating Temperature: - 40°C / +85°C

Data Transmission

10 BaseT, 100 BaseTX and 1000 BaseT networks
 Cat 5e per TIA/EIA 568B and ClassD per ISO/IEC 11801
 Cat6 per TIA/EIA 568B and ClassE per ISO/IEC 11801

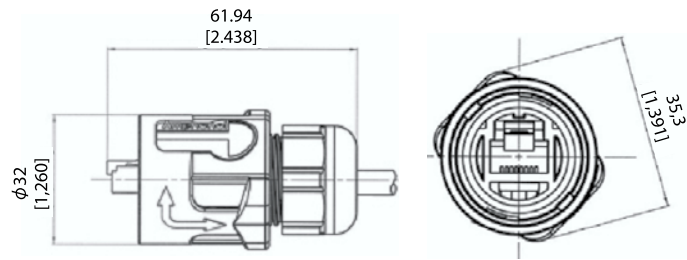
Part Number Code

Series RJF RB	RJF RB	7	1RA		
Shell Type					
6:	Composite reverse bayonet Plug, Plastic Gland				
7:	Composite jam nut Receptacle				
Back Terminations (For Receptacles only)					
1:	Female RJ45				
1RA:	Right angle female RJ45				
2:	RJ45 Cordset				
3U:	IDC cat6 - unshielded				
3F:	IDC cat6 - partial shielding				
3S:	IDC cat6 - 100% shielded				
Cordset Length (For Receptacles with "2" back termination only)					
03:	0.3m [11.81 inches]				
05:	0.5m [19.68 inches]				
10:	1m [39.37 inches]				
15:	1.5m [59.05 inches]				
Cabling Configuration (For "7" Receptacles and with type "2" back termination only)					
100BTX:	(=568B)				
568A					

- Examples:
- Plug: RJF RB 6
 - Receptacle, female RJ45 Back termination: RJF RB 71
 - Receptacle, right angle female RJ45 Back termination: RJF RB 71RA
 - Receptacle, 1,5m [59.05"] RJ45 cordset termination: RJF RB 72 15 100BTX

Plug

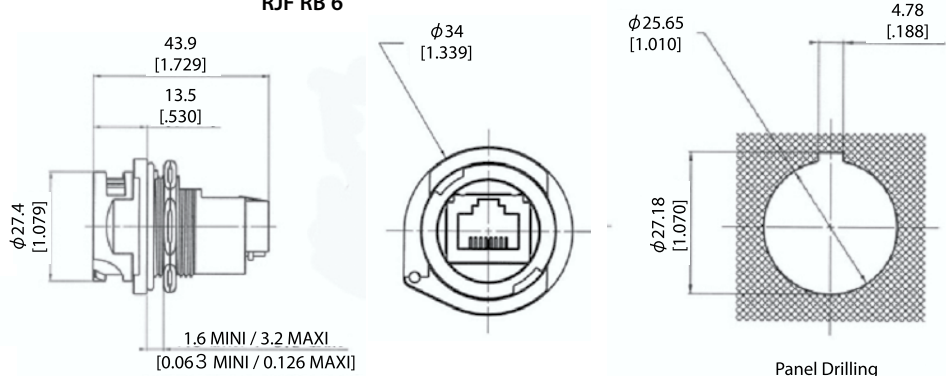
- Type 6 Shell with Plastic Gland



RJF RB 6

Receptacle

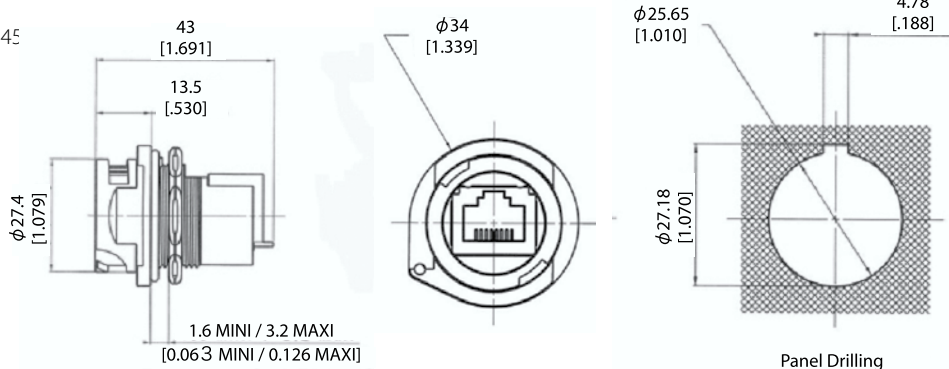
- Type 1: Female RJ45 (front mounting)



RJF RB 71

Panel Drilling

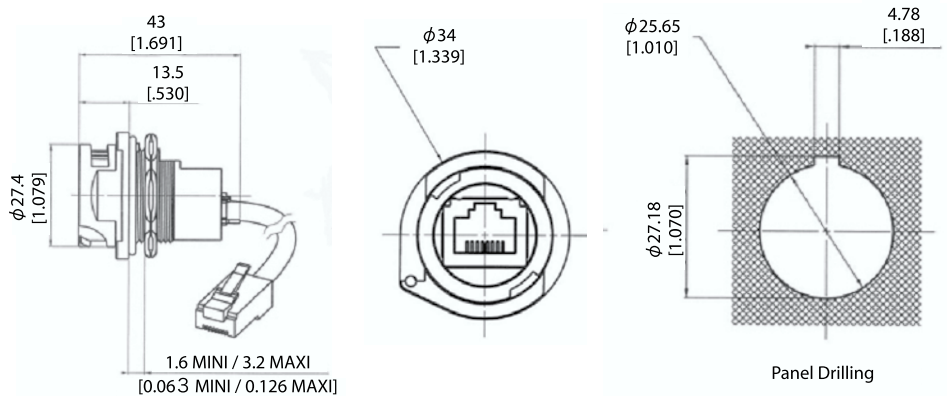
- Type 1RA: Right Angle Female RJ45 (front mounting)



RJFRB71RA

Panel Drilling

- Type 2: RJ45 Cordset (front mounting)



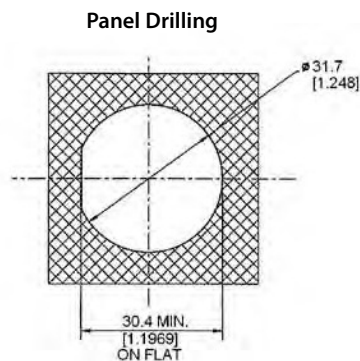
RJFRB72XX 100BTX (XX=03, 05, 10 or 15 - see part number code page 3)

Panel Drilling

- Type 3: IDC Cat6 termination (rear mounting)

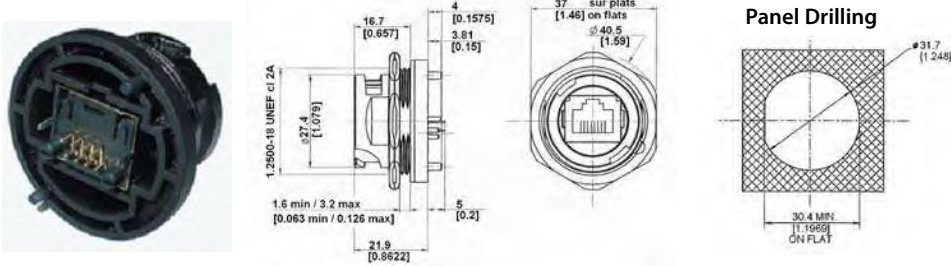


Unshielded: **RJFRB73U**
Partial shielding **RJFRB73F**



Shielded: **RJFRB73S**

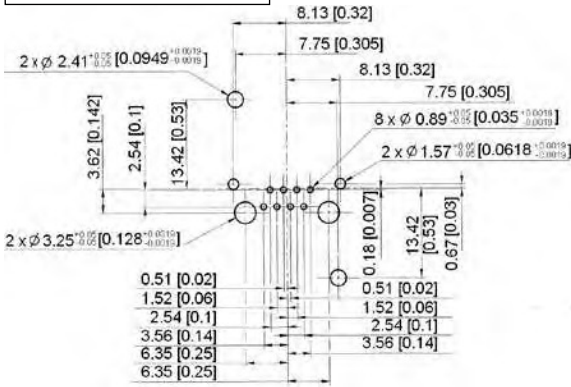
■ Straight PCB termination receptacle:
(rear mounting)



Part number: RJFRB 75

IMPORTANT NOTE
The customer's PCB design will determine the receptacle category.

PCB Drilling RJFRB

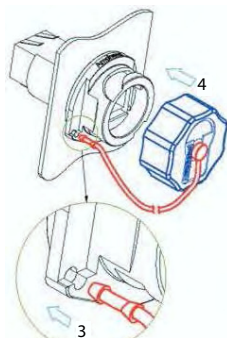


Assembly Instructions



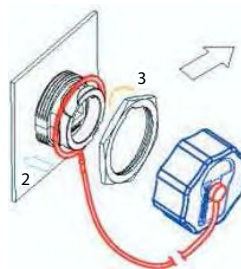
Accessories

■ IP67 Dust Caps



RJFRB C7

Cap for receptacles RJFRB71 / 71RA / 72xxx



RJFRB C75

Cap for receptacles RJFRB75 and RJFRB73x