

# GPR Series

## General Purpose Radial Capacitors



### Features:

- Wide CV value range for general purpose.
- Safety vent construction products, GPR series are guaranteed 2000 hours at 85°C.



### Specifications

Item	Performance																																																							
Operating Temperature Range	-40 to +85°C	-25 to +85°C																																																						
Rate Working Voltage Range	6.3 to 100v dc	160 to 450v dc																																																						
Nominal Capacitance Range	0.1 to 22,000µF	0.47 to 820µF																																																						
Capacitance Tolerance	±20% (at +20°C, 120Hz)																																																							
Leakage Current	I=0.01CV or 3 (µA) maximum	I≤0.03CV + 30 (µA) maximum																																																						
	Whichever is greater after 3 minutes I : Leakage Current (µA) C : Rated Capacitance (µF) V : Working Voltage (v)																																																							
Dissipation Factor (tanδ at 120Hz/+20°C)	<table border="1"> <thead> <tr> <th>Working Voltage</th> <th>6.3</th> <th>10</th> <th>16</th> <th>25</th> <th>35</th> <th>50</th> <th>63</th> <th>100</th> <th>160</th> <th>200</th> <th>250</th> <th>350</th> <th>400</th> <th>450</th> </tr> </thead> <tbody> <tr> <td>tanδ maximum</td> <td>0.22</td> <td>0.2</td> <td>0.17</td> <td>0.15</td> <td>0.12</td> <td>0.1</td> <td>0.09</td> <td>0.08</td> <td>0.2</td> <td>0.2</td> <td>0.18</td> <td>0.20</td> <td>0.20</td> <td>0.20</td> </tr> </tbody> </table>														Working Voltage	6.3	10	16	25	35	50	63	100	160	200	250	350	400	450	tanδ maximum	0.22	0.2	0.17	0.15	0.12	0.1	0.09	0.08	0.2	0.2	0.18	0.20	0.20	0.20												
	Working Voltage	6.3	10	16	25	35	50	63	100	160	200	250	350	400	450																																									
tanδ maximum	0.22	0.2	0.17	0.15	0.12	0.1	0.09	0.08	0.2	0.2	0.18	0.20	0.20	0.20																																										
Add 0.02 per 1000µF for more than 1000µF																																																								
Ripple Current	Refer to standard products table (120Hz, +85°C). Correction factor for frequency.																																																							
	Frequency (Hz)		50/80		120		1K		10K																																															
	Correction factor (Multiplier)		0.7		1		1.3		1.7																																															
Characteristics at Low Temperature (stability at 120Hz)	<table border="1"> <thead> <tr> <th>Working Voltage</th> <th>6.3</th> <th>10</th> <th>16</th> <th>25</th> <th>35</th> <th>50</th> <th>63</th> <th>100</th> <th>160</th> <th>200</th> <th>250</th> <th>350</th> <th>400</th> <th>450</th> </tr> </thead> <tbody> <tr> <td>-25°C/+20°C</td> <td>4</td> <td>3</td> <td colspan="4">2</td> <td colspan="4">3</td> <td>5</td> <td>12</td> <td>15</td> </tr> <tr> <td>-40°C/+20°C</td> <td>8</td> <td>6</td> <td>4</td> <td colspan="3">3</td> <td>-</td> <td>-</td> <td>-</td> <td>-</td> <td>-</td> <td>-</td> </tr> </tbody> </table>														Working Voltage	6.3	10	16	25	35	50	63	100	160	200	250	350	400	450	-25°C/+20°C	4	3	2				3				5	12	15	-40°C/+20°C	8	6	4	3			-	-	-	-	-	-
	Working Voltage	6.3	10	16	25	35	50	63	100	160	200	250	350	400	450																																									
	-25°C/+20°C	4	3	2				3				5	12	15																																										
-40°C/+20°C	8	6	4	3			-	-	-	-	-	-																																												
For Capacitance value >1000µF, Add 0.5 per another 1000µF for -25°C/+25°C Add 1.0 per another 1000µF for -40°C/+20°C																																																								
High Temperature Loading	After 2000 hours application of DC rated working voltage at +85°C, The capacitor shall meet the following limits: Post test requirements at + 20°C.																																																							
	Leakage current		≤ the initial specified value																																																					
	Capacitance change		≤ ±20% of initial measured value																																																					
	Dissipation factor (tanδ)		≤ 150% of initial specified value																																																					

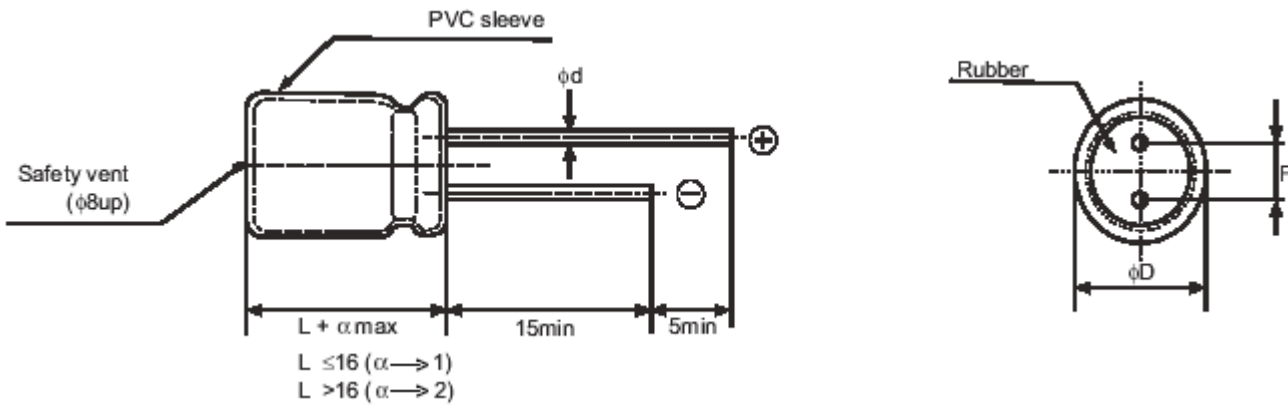
# GPR Series

## General Purpose Radial Capacitors



### Specifications

Item	Performance
Shelf Life	After storage for 500 hours at +85°C with no voltage applied. Post test requirements at +20°C. Same limits for high temperature loading



DØ (+0.5 maximum)	5.0	6.3	8.0	10	13	16	18	22	25
F (± 0.5)	2.0	2.5	3	5	5	7.5	7.5	10	12
dØ (± 0.02)	0.5	0.5	0.6	0.6	0.6	0.8	0.8	0.8	0.8

Dimensions : Millimetres

### Case Size Table

ØDiameter x Length (mm)

WV(SV) µF	6.3 (8)	10 (13)	16 (20)	25 (32)	35 (44)	50 (63)	63 (79)	100 (125)		
0.1					→	5 x 11		5 x 11		
0.22					→					
0.33					→					
0.47					→					
1.0					→					
2.2					→					
3.3					→					
4.7					→					
10			→	5 x 11	5 x 11	6.3 x 11	5 x 11	6.3 x 11		
22		→	5 x 11				6.3 x 11	8 x 11	6.3 x 11	8 x 11
33		→							5 x 11	6.3 x 11
47		→			6.3 x 11	6.3 x 11	8 x 11	10 x 16		
100	→	5 x 11	6.3 x 11	6.3 x 11	8 x 11	8 x 11	10 x 13	13 x 21		
220	→	6.3 x 11	6.3 x 11	8 x 11	10 x 13	10 x 16	10 x 21	16 x 26		
330	→		8 x 11	10 x 13	10 x 16	10 x 21	13 x 21			

All blank dimensions is the same dimensions as "→" point to.

<http://www.farnell.com>  
<http://www.newark.com>  
<http://www.cpc.co.uk>



# GPR Series

## General Purpose Radial Capacitors



Case Size Table

ØDiameter x Length (mm)

WV(SV) µF	6.3 (8)	10 (13)	16 (20)	25 (32)	35 (44)	50 (63)	63 (79)	100 (125)
470	6.3 x 11	8 x 11	8 x 11	10 x 16	10 x 16	13 x 21	13 x 26	16 x 32
1,000	8 x 11	10 x 13	10 x 16	10 x 21	13 x 21	16 x 26	16 x 32	18 x 42
2,200	10 x 21	10 x 21	13 x 21	13 x 26	16 x 26	16 x 36	18 x 36	25 x 50
3,300	13 x 21	13 x 21	13 x 26	16 x 26	16 x 36	18 x 36	22 x 42	
4,700	13 x 26	13 x 26	16 x 26	16 x 36	18 x 36	22 x 41	25 x 50	
6,800	16 x 26	16 x 26	16 x 36	18 x 36	22 x 41	25 x 50	30 x 46	
8,200	16 x 32	18 x 36	18 x 42	22 x 46	22 x 50	30 x 46		
10,000		18 x 32	18 x 36	22 x 41	25 x 50			
15,000	18 x 36	18 x 36	22 x 50	25 x 50				
22,000	22 x 40	22 x 50	25 x 50	30 x 46				

Case Size Table

ØDiameter x Length (mm)

WV(SV) µF	160 (200)	200 (250)	250 (300)	350 (400)	400 (450)	450 (500)	
0.47	6.3 x 11	6.3 x 11	6.3 x 11	8 x 11	8 x 11	8 x 11	
1.0						10 x 13	
2.2			8 x 11	8 x 11	10 x 13	10 x 13	10 x 16
3.3							10 x 18
4.7	8 x 11	10 x 13	10 x 16	10 x 21	13 x 21	13 x 21	
10	10 x 16	10 x 21	13 x 21	13 x 21	13 x 26	16 x 26	
22	10 x 21	13 x 21		13 x 26	16 x 26	16 x 32	
33	13 x 21		13 x 26	16 x 26	16 x 32	18 x 36	
47	13 x 26	16 x 26	16 x 32	18 x 36	18 x 36		
100	16 x 36	18 x 42	22 x 36	22 x 41	22 x 50		
150				22 x 50			
220	18 x 42	22 x 41	22 x 46				
330	22 x 41	22 x 46	25 x 46				
470	22 x 46	22 x 50	25 x 50				
560	22 x 50	25 x 50					
680	25 x 50						
820							

# GPR Series

## General Purpose Radial Capacitors



### Permissible Ripple Current

Maximum ripple current: mA (rms) (at 85°C, 120Hz)

WV(SV) μF	6.3 (8)	10 (13)	16 (20)	25 (32)	35 (44)	50 (63)	63 (79)	100 (125)	160 (200)	200 (250)	250 (300)	350 (400)	400 (450)	450 (500)
0.1 to 0.47						8		10	10	10	10	11	12	12
1.0						13		16	16	16	18	18	18	19
2.2						21		27	28	29	31	28	28	29
3.3						30		40	35	36	40	35	35	35
4.7				30	35	40	40	45	41	45	49	40	45	50
10			45	45	50	60	65	75	70	72	81	70	70	75
22		60	60	70	80	90	110	130	120	126	144	110	110	110
33	65	75	85	95	105	120	140	170	170	160	171	140	140	150
47	80	90	100	120	135	150	180	230	220	193	210	170	190	220
100	130	140	170	180	220	250	280	380	350	330	320	420	520	
150	170	220	240	310	350	400	450	550	660	720	730	740	750	
220	220	240	280	320	380	430	490	680	690	700	810	820		
330	260	320	360	420	480	540	680	800	800	970	1110			
470	380	400	460	540	620	750	880	1000	1080	1220	1430			
560	440	500	580	670	770	880	1050	1170	1240	1400	1630			
680	500	570	660	760	870	1000	1160	1330	1430	1650				
820	560	640	740	850	970	1130	1300	1500	1690					
1,000	580	660	760	900	1040	1260	1400	1970						
2,200	1000	1050	1250	1460	1700	1900	2460	3390						
3,300	1200	1340	1620	1800	2060	2180	3270							
4,700	1650	1720	1960	2150	2280	3380	3800							
6,800	1750	2060	2250	2400	3490	4110	4500							
8,200	2150	2520	2870	3420	3780	4150								
10,000	2260	2640	2980	3710	4170	4300								
15,000	2760	3120	3890	4270										
22,000	3000	4010	4410	4500										

# GPR Series

## General Purpose Radial Capacitors



### Specifications Table

Capacitance	Voltage	Dimensions	Part Number
10	16	5 x 11	MCGPR16V106M5X11
22			MCGPR16V226M5X11
470			MCGPR16V476M5X11
100		6.3 x 12	MCGPR16V107M6.3X11
220		6 x 12	MCGPR16V227M6.3X11
330		8 x 12	MCGPR16V337M8X11
470			MCGPR16V477M8X11
1000		10 x 17	MCGPR16V108M10X16
2200		13 x 21	MCGPR16V228M13X21
4700		16 x 26	MCGPR16V478M16X26
10		25	5 x 11
22	MCGPR25V226M5X11		
47	MCGPR25V476M5X11		
100	6.3 x 12		MCGPR25V107M6.3X11
220	8 x 12		MCGPR25V227M8X11
470	10 x 17		MCGPR25V477M10X16
1000	10 x 21		MCGPR25V108M10X21
4.7	35	5 x 11	MCGPRV475M5X11
10			MCGPR35V106M5X11
22			MCGPR35V226M5X11
33		6.3 x 12	MCGPR35V336M5X11
47			MCFPR35V476M6.3X11
100		8 x 12	MCGPR35V107M8X11
220		10 x 13	MCGPR35V227M10X13
330		10 x 16	MCFPR35V337M10X16
470		10 x 21	MCFPR35V477M10X21
1000		13 x 22	MCGPR35V108M13X21
2200		16 x 32	MCGPR35V228M16X32
0.47	50	5 x 11	MCGPR50V474M5X11
1			MCGPR50V105M5X11
2.2			MCGPR50V225M5X11
4.7			MCGPR50V475M5X11
10			MCGPR50V106M5X11
22			MCGPR50V226M5X11

Dimensions : Millimetres

# GPR Series

## General Purpose Radial Capacitors



### Specifications Table

Capacitance	Voltage	Dimensions	Part Number	
47	50	6 x 12	MCGPR50V476M6.3X11	
100		8 x 11	MCGPR50V107M8X11	
220		10 x 17	MCGPR50V227M10X16	
470		13 x 21	MCGPR50V477M13X21	
1000		16 x 26	MCGPR50V108M16X26	
1	63	5 x 11	MCGPR63V105M5X11	
2.2			MCGPR63V225M5X11	
4.7			MCGPR63V475M5X11	
10			MCGPR63V106M5X11	
22		6.3 x 11	MCGPR63V226M6.3X11	
47		8 x 11	MCGPR63V476M8X11	
100		10 x 13	MCGPR63V10710X13	
220		10 x 21	MCGPR63V227M13X21	
470		13 x 26	MCGPR63V477M13X26	
1000		16 x 32	MCGPR63V108M16X32	
1		100	5 x 11	MCGPR100V105M5X11
10			6.3 x 11	MCGPR100V106M6.3X11
22			8 x 11	MCGPR100V226M8X11
47	10 x 16		MCGPR100V476M10X16	
100	13 x 21		MCGPR100V107M13X21	
220	16 x 26		MCGPR100V227M16X26	
470	16 x 32		MCGPR100V477M16X32	

Dimensions : Millimetres

**Disclaimer** This data sheet and its contents (the "Information") belong to the Premier Farnell Group (the "Group") or are licensed to it. No licence is granted for the use of it other than for information purposes in connection with the products to which it relates. No licence of any intellectual property rights is granted. The Information is subject to change without notice and replaces all data sheets previously supplied. The Information supplied is believed to be accurate but the Group assumes no responsibility for its accuracy or completeness, any error in or omission from it or for any use made of it. Users of this data sheet should check for themselves the Information and the suitability of the products for their purpose and not make any assumptions based on information included or omitted. Liability for loss or damage resulting from any reliance on the Information or use of it (including liability resulting from negligence or where the Group was aware of the possibility of such loss or damage arising) is excluded. This will not operate to limit or restrict the Group's liability for death or personal injury resulting from its negligence. SPC Multicomp is the registered trademark of the Group. © Premier Farnell plc 2010.

<http://www.farnell.com>  
<http://www.newark.com>  
<http://www.cpc.co.uk>

