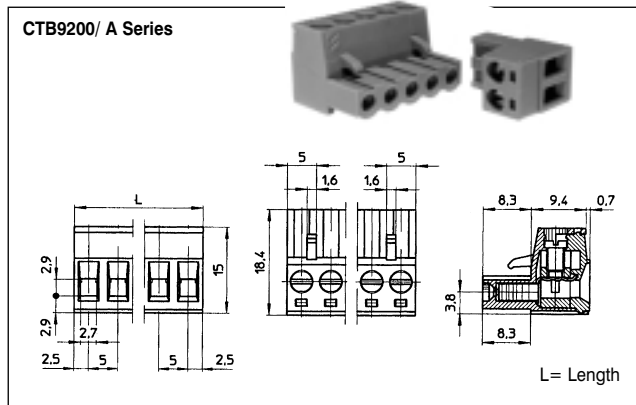


5mm Pitch **Plug-in** Rising Clamp Terminal

Features

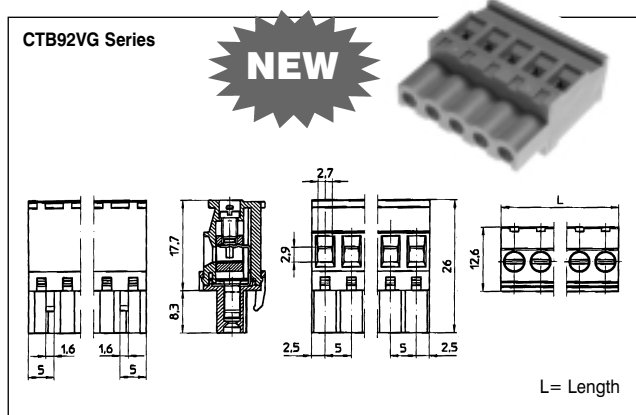
- 2-24 pole solid block
- Plug in
- Open & closed headers
- Horizontal female plug style
- Polarised mouldings
- Moulded in green UL94-V0 flame retardant PA66
- Professional rising clamp terminals
- 2.5mm² cable entry
- cUL, UL, CE & CE approved
- Anti solder wicking
- Captive screws
- Guided pin alignment

Female connector



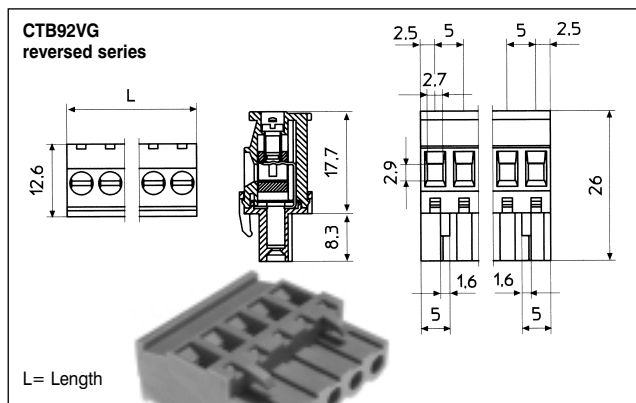
| Type No. | Poles | Length | Type No. | Poles | Length |
|-------------|-------|--------|-------------|-------|--------|
| CTB9200/2A | 2 | 10mm | CTB9200/14A | 14 | 70mm |
| CTB9200/3A | 3 | 15mm | CTB9200/15A | 15 | 75mm |
| CTB9200/4A | 4 | 20mm | CTB9200/16A | 16 | 80mm |
| CTB9200/5A | 5 | 25mm | CTB9200/17A | 17 | 85mm |
| CTB9200/6A | 6 | 30mm | CTB9200/18A | 18 | 90mm |
| CTB9200/7A | 7 | 35mm | CTB9200/19A | 19 | 95mm |
| CTB9200/8A | 8 | 40mm | CTB9200/20A | 20 | 100mm |
| CTB9200/9A | 9 | 45mm | CTB9200/21A | 21 | 105mm |
| CTB9200/10A | 10 | 50mm | CTB9200/22A | 22 | 110mm |
| CTB9200/11A | 11 | 55mm | CTB9200/23A | 23 | 115mm |
| CTB9200/12A | 12 | 60mm | CTB9200/24A | 24 | 120mm |
| CTB9200/13A | 13 | 65mm | | | |

Vertical female connector (standard)



| Type No. | Poles | Length | Type No. | Poles | Length |
|-------------|-------|--------|-------------|-------|--------|
| CTB92VG/2S | 2 | 10mm | CTB92VG/14S | 14 | 70mm |
| CTB92VG/3S | 3 | 15mm | CTB92VG/15S | 15 | 75mm |
| CTB92VG/4S | 4 | 20mm | CTB92VG/16S | 16 | 80mm |
| CTB92VG/5S | 5 | 25mm | CTB92VG/17S | 17 | 85mm |
| CTB92VG/6S | 6 | 30mm | CTB92VG/18S | 18 | 90mm |
| CTB92VG/7S | 7 | 35mm | CTB92VG/19S | 19 | 95mm |
| CTB92VG/8S | 8 | 40mm | CTB92VG/20S | 20 | 100mm |
| CTB92VG/9S | 9 | 45mm | CTB92VG/21S | 21 | 105mm |
| CTB92VG/10S | 10 | 50mm | CTB92VG/22S | 22 | 110mm |
| CTB92VG/11S | 11 | 55mm | CTB92VG/23S | 23 | 115mm |
| CTB92VG/12S | 12 | 60mm | CTB92VG/24S | 24 | 120mm |
| CTB92VG/13S | 13 | 65mm | | | |

Vertical female connector (reversed)



| Type No. | Poles | Length | Type No. | Poles | Length |
|-------------|-------|--------|-------------|-------|--------|
| CTB92VG/2R | 2 | 10mm | CTB92VG/14R | 14 | 70mm |
| CTB92VG/3R | 3 | 15mm | CTB92VG/15R | 15 | 75mm |
| CTB92VG/4R | 4 | 20mm | CTB92VG/16R | 16 | 80mm |
| CTB92VG/5R | 5 | 25mm | CTB92VG/17R | 17 | 85mm |
| CTB92VG/6R | 6 | 30mm | CTB92VG/18R | 18 | 90mm |
| CTB92VG/7R | 7 | 35mm | CTB92VG/19R | 19 | 95mm |
| CTB92VG/8R | 8 | 40mm | CTB92VG/20R | 20 | 100mm |
| CTB92VG/9R | 9 | 45mm | CTB92VG/21R | 21 | 105mm |
| CTB92VG/10R | 10 | 50mm | CTB92VG/22R | 22 | 110mm |
| CTB92VG/11R | 11 | 55mm | CTB92VG/23R | 23 | 115mm |
| CTB92VG/12R | 12 | 60mm | CTB92VG/24R | 24 | 120mm |
| CTB92VG/13R | 13 | 65mm | | | |

PCB TERMINAL BLOCKS

FUSES & FUSE-HOLDERS

BATTERIES

LED'S

MINIATURE SWITCHES

INTERFACE MODULES & SUPPORTS

ENCLOSURES

IC & PLCC SOCKETS

RELAY BASES

CONTROL PRODUCTS



FM28614
BS EN ISO 9001:1994

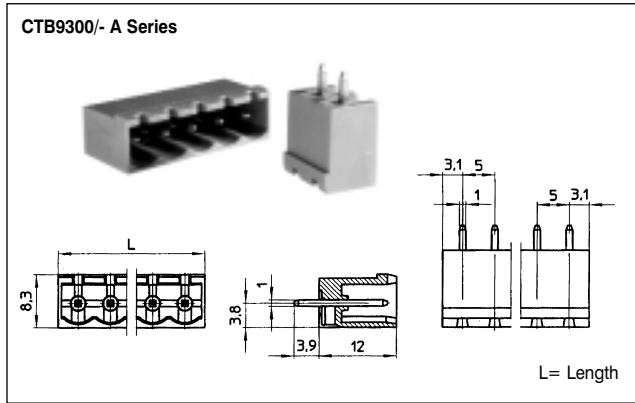
Tel: +44 (0)1727 864437 Fax: +44 (0)1727 855400
E-mail: info@camden-electronics.co.uk Website: www.camden-electronics.co.uk

Because we operate a constant improvement policy, our products are subject to change without notice.



5mm Pitch **Plug-in** Rising Clamp Terminal

PCB mounting male vertical (closed ended)



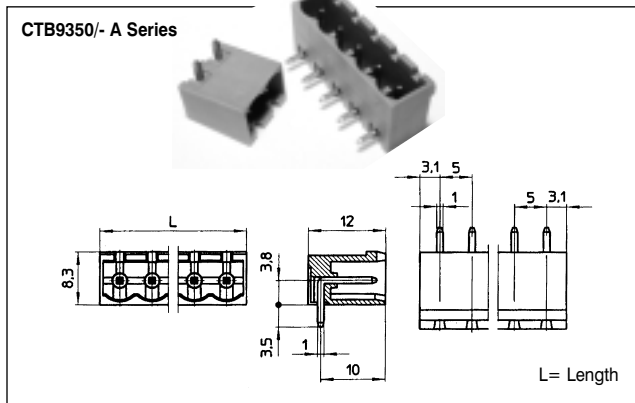
| Type No. | Poles | Length | Type No. | Poles | Length |
|-------------|-------|--------|-------------|-------|---------|
| CTB9300/2A | 2 | 11.2mm | CTB9300/14A | 14 | 71.2mm |
| CTB9300/3A | 3 | 16.2mm | CTB9300/15A | 15 | 76.2mm |
| CTB9300/4A | 4 | 21.2mm | CTB9300/16A | 16 | 81.2mm |
| CTB9300/5A | 5 | 26.2mm | CTB9300/17A | 17 | 86.2mm |
| CTB9300/6A | 6 | 31.2mm | CTB9300/18A | 18 | 91.2mm |
| CTB9300/7A | 7 | 36.2mm | CTB9300/19A | 19 | 96.2mm |
| CTB9300/8A | 8 | 41.2mm | CTB9300/20A | 20 | 101.2mm |
| CTB9300/9A | 9 | 46.2mm | CTB9300/21A | 21 | 106.2mm |
| CTB9300/10A | 10 | 51.2mm | CTB9300/22A | 22 | 111.2mm |
| CTB9300/11A | 11 | 56.2mm | CTB9300/23A | 23 | 116.2mm |
| CTB9300/12A | 12 | 61.2mm | CTB9300/24A | 24 | 121.2mm |
| CTB9300/13A | 13 | 66.2mm | | | |

Specification

| | |
|-----------------------|------------------------------|
| Rating | 12A/380V |
| Dielectric strength | ≥ 2.5kV/60sec |
| Insulation resistance | ≥ 5MΩ |
| Working temperature | -20°C to 125°C |
| Short period | 160°C |
| Moulding | UL94-V0 flame retardant PA66 |

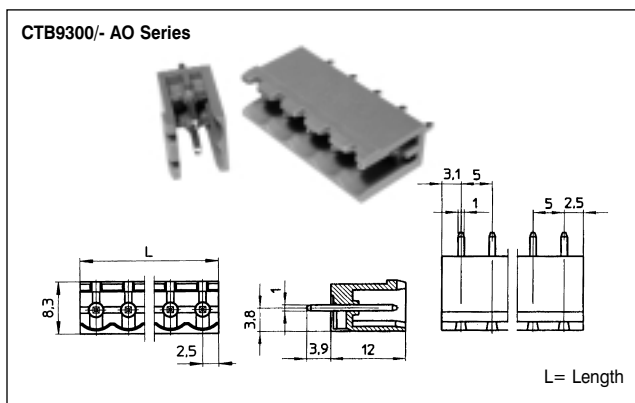
| | |
|---------------------------|---|
| Pin/terminal | 5μ tinned phosphor bronze |
| Rising clamp | 5μ nickel copper flash brass |
| Screw/torque | M3 steel, 6μ zinc, colour passivated and tropicalised/0.5Nm |
| Recommended PCB hole size | ø1.4mm |

PCB mounting male horizontal (closed ended)



| Type No. | Poles | Length | Type No. | Poles | Length |
|-------------|-------|--------|-------------|-------|---------|
| CTB9350/2A | 2 | 11.2mm | CTB9350/14A | 14 | 71.2mm |
| CTB9350/3A | 3 | 16.2mm | CTB9350/15A | 15 | 76.2mm |
| CTB9350/4A | 4 | 21.2mm | CTB9350/16A | 16 | 81.2mm |
| CTB9350/5A | 5 | 26.2mm | CTB9350/17A | 17 | 86.2mm |
| CTB9350/6A | 6 | 31.2mm | CTB9350/18A | 18 | 91.2mm |
| CTB9350/7A | 7 | 36.2mm | CTB9350/19A | 19 | 96.2mm |
| CTB9350/8A | 8 | 41.2mm | CTB9350/20A | 20 | 101.2mm |
| CTB9350/9A | 9 | 46.2mm | CTB9350/21A | 21 | 106.2mm |
| CTB9350/10A | 10 | 51.2mm | CTB9350/22A | 22 | 111.2mm |
| CTB9350/11A | 11 | 56.2mm | CTB9350/23A | 23 | 116.2mm |
| CTB9350/12A | 12 | 61.2mm | CTB9350/24A | 24 | 121.2mm |
| CTB9350/13A | 13 | 66.2mm | | | |

PCB mounting male vertical (open ended)



| Type No. | Poles | Length | Type No. | Poles | Length |
|--------------|-------|--------|--------------|-------|--------|
| CTB9300/2AO | 2 | 10mm | CTB9300/14AO | 14 | 70mm |
| CTB9300/3AO | 3 | 15mm | CTB9300/15AO | 15 | 75mm |
| CTB9300/4AO | 4 | 20mm | CTB9300/16AO | 16 | 80mm |
| CTB9300/5AO | 5 | 25mm | CTB9300/17AO | 17 | 85mm |
| CTB9300/6AO | 6 | 30mm | CTB9300/18AO | 18 | 90mm |
| CTB9300/7AO | 7 | 35mm | CTB9300/19AO | 19 | 95mm |
| CTB9300/8AO | 8 | 40mm | CTB9300/20AO | 20 | 100mm |
| CTB9300/9AO | 9 | 45mm | CTB9300/21AO | 21 | 105mm |
| CTB9300/10AO | 10 | 50mm | CTB9300/22AO | 22 | 110mm |
| CTB9300/11AO | 11 | 55mm | CTB9300/23AO | 23 | 115mm |
| CTB9300/12AO | 12 | 60mm | CTB9300/24AO | 24 | 120mm |
| CTB9300/13AO | 13 | 65mm | | | |