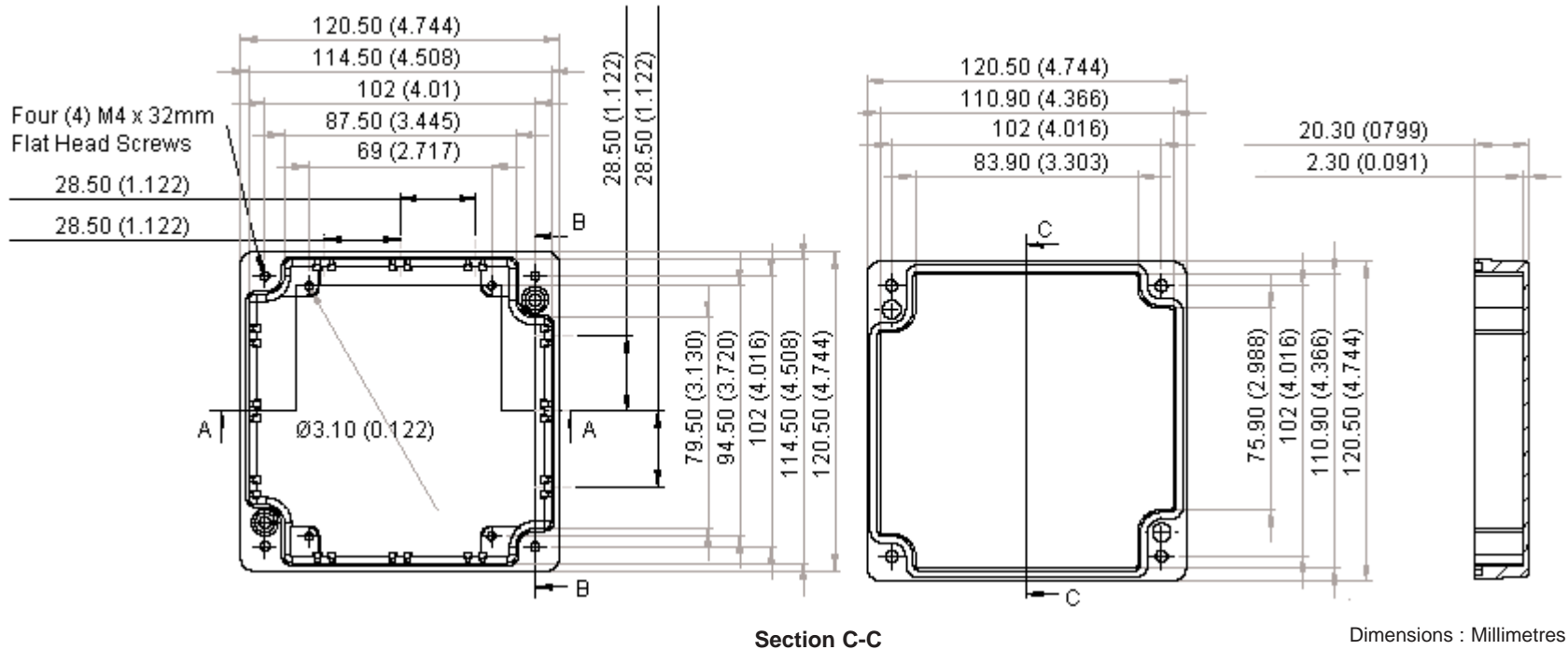


ECN #	REV	DESCRIPTION	DRAWN	DATE	CHECKD	DATE	APPRVD	DATE
-	A	RELEASED	Naveen	26/6/10	Jagan	26/6/10	Farnell	12/7/10



This data sheet and its contents (the "Information") belong to the Premier Farnell Group (the "Group") or are licensed to it. No licence is granted for the use of it other than for information purposes in connection with the products to which it relates. No licence of any intellectual property rights is granted. The Information is subject to change without notice and replaces all data sheets previously supplied. The Information supplied is believed to be accurate but the Group assumes no responsibility for its accuracy or completeness, any error in or omission from it or for any use made of it. Users of this data sheet should check for themselves the Information and the suitability of the products for their purpose and not make any assumptions based on information included or omitted. Liability for loss or damage resulting from any reliance on the Information or use of it (including liability resulting from negligence or where the Group was aware of the possibility of such loss or damage arising) is excluded. This will not operate to limit or restrict the Group's liability for death or personal injury resulting from its negligence.

SPC MULTICOMP is the registered trademark of the Group. © Premier Farnell plc 2010.

TOLERANCES:

UNLESS OTHERWISE SPECIFIED, DIMENSIONS ARE FOR REFERENCE PURPOSES ONLY.

DRAWN BY:

Naveen

DATE:

26/06/10

CHECKED BY:

Jagan

DATE:

26/06/10

APPROVED BY:

Farnell

DATE:

12/07/10

DRAWING TITLE:

Multipurpose Enclosure - Diecast Aluminium

 SIZE
A

DWG NO.

M10002445

 ELECTRONIC FILE
G137_DWG

 REV
A

SCALE: NTS

U.O.M : mm

SHEET: 1 OF 3

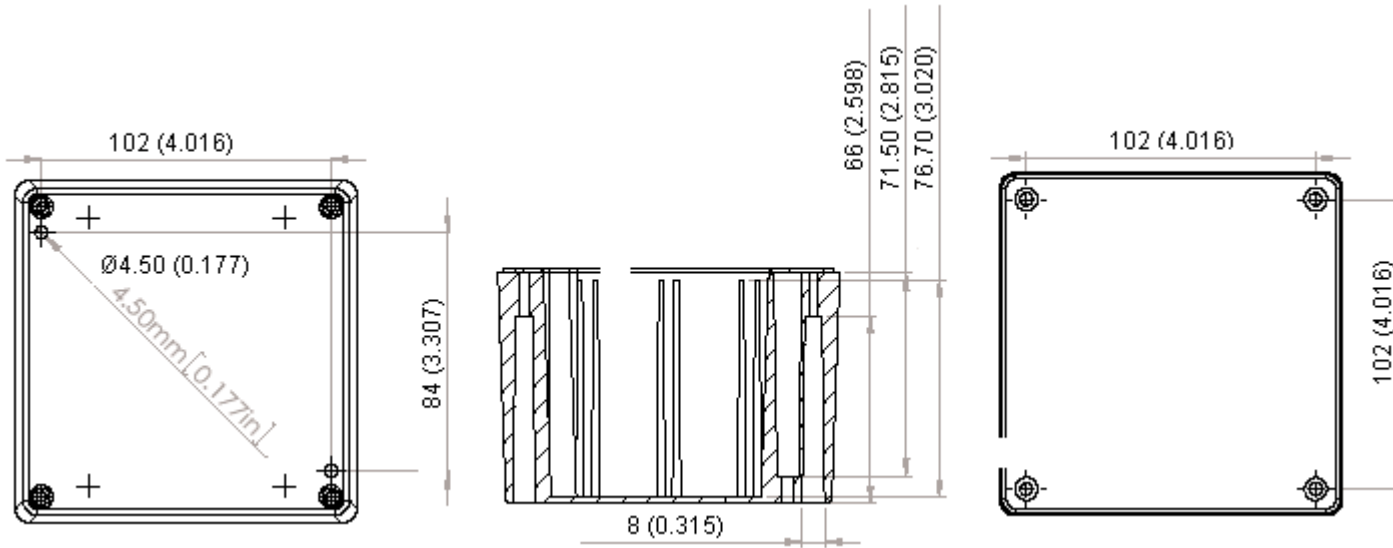


PART NO.

G137

REVISIONS

ECN #	REV	DESCRIPTION	DRAWN	DATE	CHECKD	DATE	APPRVD	DATE
-	A	RELEASED	Naveen	26/6/10	Jagan	26/6/10	Farnell	12/7/10



Section B-B

Dimensions : Millimetres

This data sheet and its contents (the "Information") belong to the Premier Farnell Group (the "Group") or are licensed to it. No licence is granted for the use of it other than for information purposes in connection with the products to which it relates. No licence of any intellectual property rights is granted. The Information is subject to change without notice and replaces all data sheets previously supplied. The Information supplied is believed to be accurate but the Group assumes no responsibility for its accuracy or completeness, any error in or omission from it or for any use made of it. Users of this data sheet should check for themselves the Information and the suitability of the products for their purpose and not make any assumptions based on information included or omitted. Liability for loss or damage resulting from any reliance on the Information or use of it (including liability resulting from negligence or where the Group was aware of the possibility of such loss or damage arising) is excluded. This will not operate to limit or restrict the Group's liability for death or personal injury resulting from its negligence. SPC MULTICOMP is the registered trademark of the Group. © Premier Farnell plc 2010.

TOLERANCES:
UNLESS OTHERWISE SPECIFIED, DIMENSIONS ARE FOR REFERENCE PURPOSES ONLY.

DRAWN BY:	DATE:
Naveen	26/06/10
CHECKED BY:	DATE:
Jagan	26/06/10
APPROVED BY:	DATE:
Farnell	12/07/10

DRAWING TITLE: Multipurpose Enclosure - Diecast Aluminium			
SIZE A	DWG NO. M10002445	ELECTRONIC FILE G137_DWG	REV A
SCALE: NTS	U.O.M.: mm	SHEET: 2 OF 3	



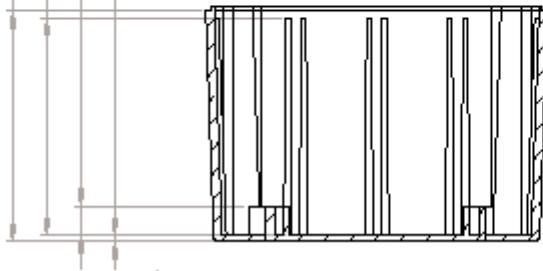
PART NO.

G137

REVISIONS

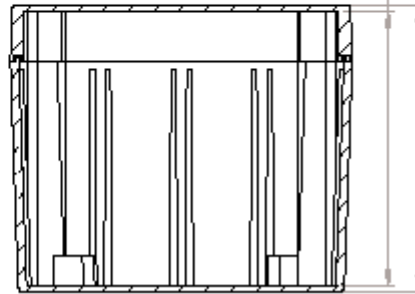
ECN #	REV	DESCRIPTION	DRAWN	DATE	CHECKD	DATE	APPRVD	DATE
-	A	RELEASED	Naveen	26/6/10	Jagan	26/6/10	Farnell	12/7/10

81 (3.189)
76.70 (3.020)
10.50 (0.413)
2 (0.079)

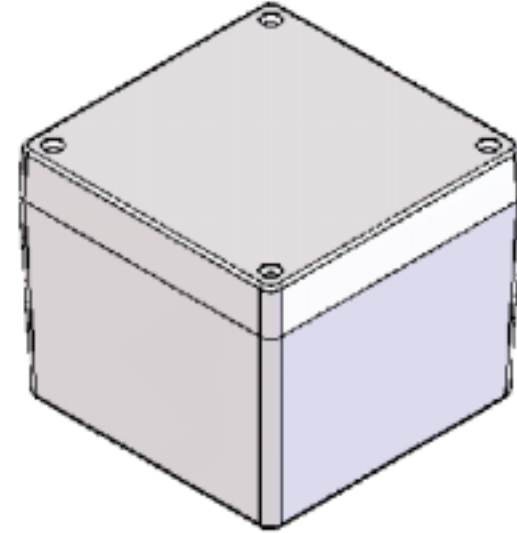


Section A-A

97 (3.819)
101.30 (3.988)



Dimensions: Millimetres (Inches)



Specifications:

Tolerances : $\pm 0.30\text{mm}$ ($\pm 0.012\text{in}$)

Part Number Table

Description	Part Number
Box, Die-cast, 120.5 x 120.5 x 102mm	G137

<http://www.farnell.com>

<http://www.newark.com>

<http://www.cpc.co.uk>

This data sheet and its contents (the "Information") belong to the Premier Farnell Group (the "Group") or are licensed to it. No licence is granted for the use of it other than for information purposes in connection with the products to which it relates. No licence of any intellectual property rights is granted. The Information is subject to change without notice and replaces all data sheets previously supplied. The Information supplied is believed to be accurate but the Group assumes no responsibility for its accuracy or completeness, any error in or omission from it or for any use made of it. Users of this data sheet should check for themselves the information and the suitability of the products for their purpose and not make any assumptions based on information included or omitted. Liability for loss or damage resulting from any reliance on the Information or use of it (including liability resulting from negligence or where the Group was aware of the possibility of such loss or damage arising) is excluded. This will not operate to limit or restrict the Group's liability for death or personal injury resulting from its negligence. SPC MULTICOMP is the registered trademark of the Group. © Premier Farnell plc 2010.

TOLERANCES:
UNLESS OTHERWISE SPECIFIED, DIMENSIONS ARE FOR REFERENCE PURPOSES ONLY.

DRAWN BY:	DATE:
Naveen	26/06/10
CHECKED BY:	DATE:
Jagan	26/06/10
APPROVED BY:	DATE:
Farnell	12/07/10

DRAWING TITLE: Multipurpose Enclosure - Diecast Aluminium			
SIZE A	DWG NO. M10002445	ELECTRONIC FILE G137_DWG	REV A
SCALE: NTS	U.O.M.: mm	SHEET: 3 OF 3	