

NEW!

Datamet

Datamet Wall Cases

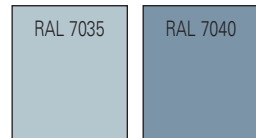
Modern aluminium enclosures designed for indoor applications. Provide total access to the electronics during installation on the wall. Stylish design with die-cast front bezel, top cover and 'L' shape rear panel. Front panels and internal mounting plates ordered separately.

Datamet Wandgehäuse

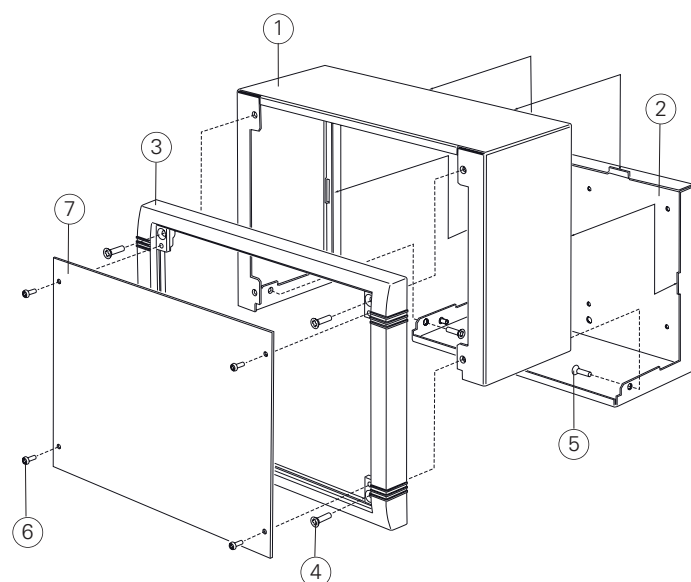
Moderne Aluminium-Gehäuse für Innenanwendungen. Elektronik während der Wandinstallation frei zugänglich. Elegantes Design mit Zink-Druckguss Frontrahmen, Haube und Rückplatte in L-Form. Front- und Montageplatten als Zubehör.

Boîtiers Muraux Datamet

Des boîtiers en aluminium modernes pour des applications dans l'intérieur. Accès à l'électronique sans barrière pendant l'installation au mur. Design élégant avec bandeaux frontales, partie supérieure et panneau arrière en forme L moulés sous pression. Panneaux frontales et plaques internes à commander séparément.

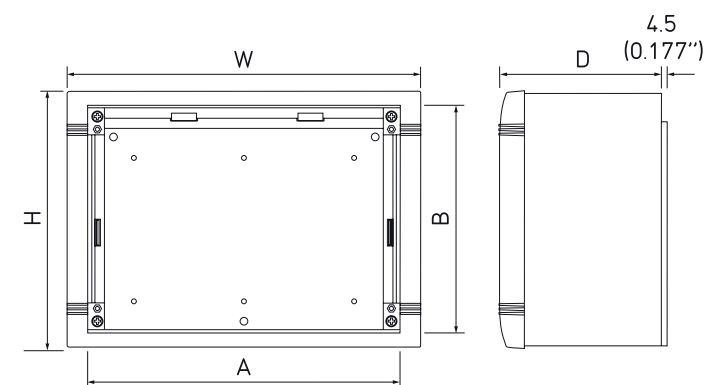


Standard colours
Standardfarben
Coloris standard



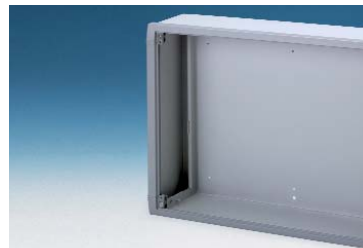
- | Supply | Lieferumfang | Fourniture |
|-------------------|-----------------|-------------------|
| ① Top cover | Oberteil | Partie supérieure |
| ② Rear panel | Rückplatte | Plaque arrière |
| ③ Front bezel | Frontrahmen | Cadre frontal |
| ④ M4 x 16 mm (x4) | M4 x 16 mm (x4) | M4 x 16 mm (x4) |
| ⑤ M4 x 6 mm (x2) | M4 x 6 mm (x2) | M4 x 6 mm (x2) |
| ⑥ M3 x 6 mm (x4) | M3 x 6 mm (x4) | M3 x 6 mm (x4) |
| ⑦ *Front panel | *Frontplatten | *Plaque avant |
| * Accessories | * Zubehör | * Accessoires |

Datamet



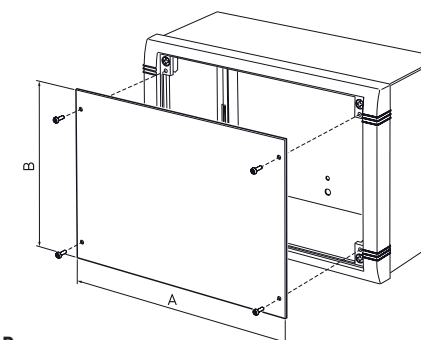
Part No.	Version	W	H	D	A	B
Bestell-Nr./Réf.						
M 58 25 105	S	250 (9.842")	180 (7.086")	116 (4.567")	220.7 (8.689")	160.8 (6.330")
M 58 35 105	M	350 (13.779")	250 (9.842")	116 (4.567")	320.7 (12.625")	230.8 (9.086")
M 58 40 105	L	450 (17.716")	300 (11.811")	116 (4.567")	420.7 (16.563")	280.8 (11.055")

Datamet



Front Panel

Frontplatten
Plaque Avant



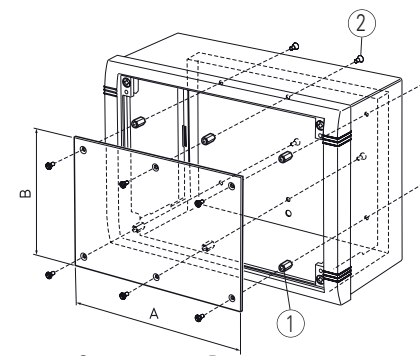
Part No.	Version	A	B
Bestell-Nr./Réf.			
M 58 00 025	S	220 (8.661")	159.5 (6.280")
M 58 00 035	M	320 (12.598")	229.5 (9.035")
M 58 00 040	L	370 (14.567")	279.5 (11.004")

Front Panel



Mounting Plate Kit

Montageplatten-Set
Kit De Plaque Support



Supply: Mounting plate + ①x 6 + ②x 12
Lieferumfang: Montageplatten + ①x 6 + ②x 12
Fourniture: Plaque support + ①x 6 + ②x 12

Part No.	Version	A	B	C	D
Bestell-Nr./Réf.					
M 58 04 125	S	175 (6.890")	120 (4.724")		
M 58 04 135	M	275 (10.827")	190 (7.480")		
M 58 04 140	L	325 (12.795")	240 (9.449")		

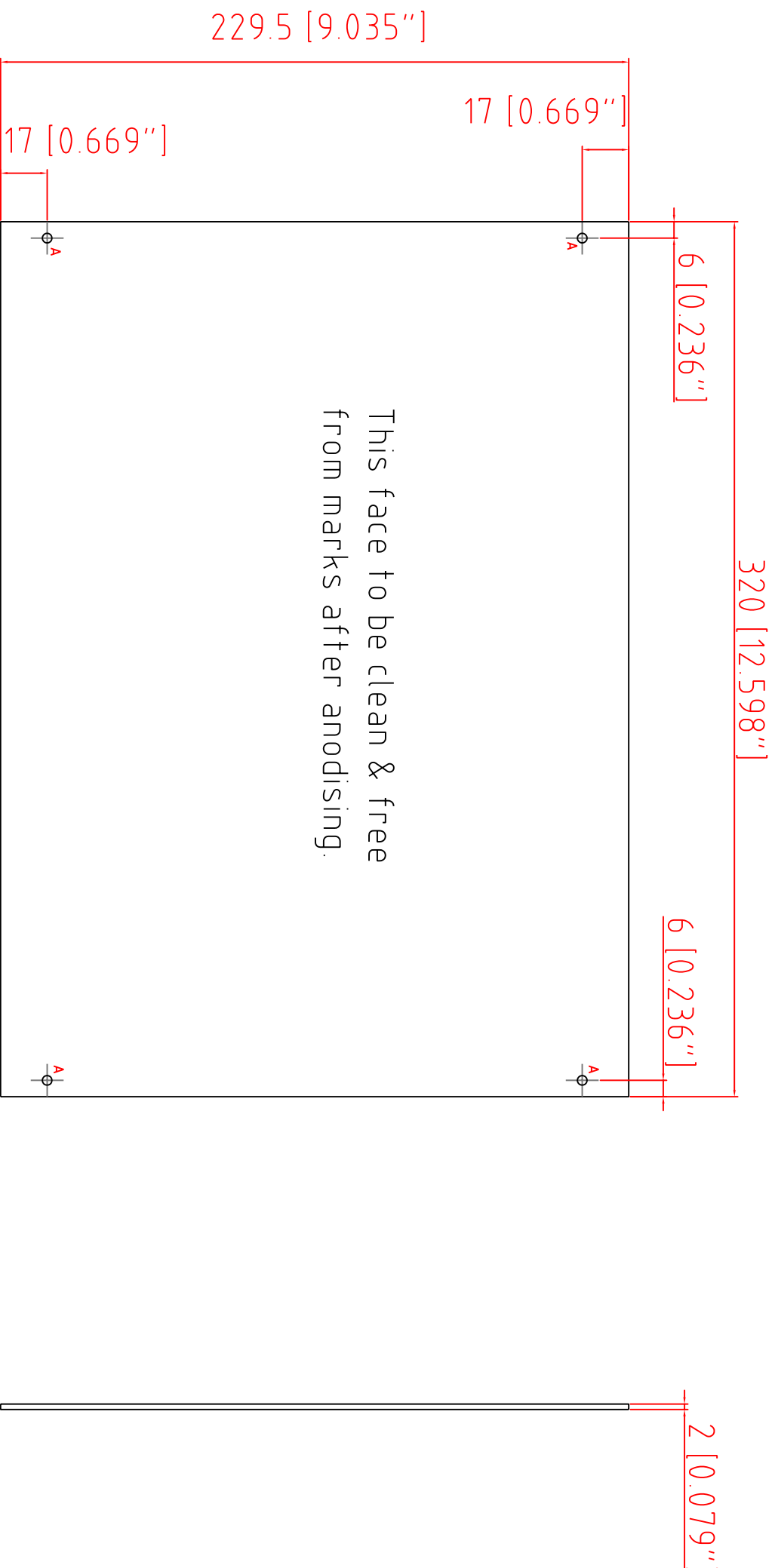
Mounting Plate Kit



FIRST ANGLE PROJECTION

1 2 3 4 5 6 7 8 9 10

Detail "A"
4 off holes 4.0mm (0.157") dia



This face to be clean & free from marks after anodising.

Modifications

Iss
1

Tolerances unless otherwise stated:
General tolerances ±0.20
Resultant tolerances between hole centers ±0.15
Tolerances on hole diameters ±0.05
Angles ± 0.5°
Surface finish 32/

Required Finish:
Etch &
Clear Anodise

Scale: 1:1
Drawn by: Ian Cox

Checked By:

Drawing Number

14,49

Date drawn

January '07

Material Spec
2.0mm aluminium

ALL DIMENSIONS IN MILLIMETRES (Inches in brackets)

DO NOT SCALE



METCASE ENCLOSURES
15 Brunel Way
Segensworth East, Fareham,
Hampshire, PO15 5TX, UK.

Part Name
Datamet Front Panel M

www.metcase.com

Part Number
M5800035

Sheet 1 of 1

OKW ENCLOSURES LTD (DATE AS SHOWN). THIS DRAWING CONTAINS PROPRIETARY INFORMATION OF OKW ENCLOSURES LTD AND IS TENDERED SUBJECT TO THE FOLLOWING CONDITIONS: THE INFORMATION BE RETAINED IN CONFIDENCE, NOT BE REPRODUCED OR COPIED, AND NOT BE USED OR INCORPORATED IN ANY PRODUCT, UNLESS PERMISSION IS OBTAINED IN WRITING FROM OKW ENCLOSURES LTD

A1