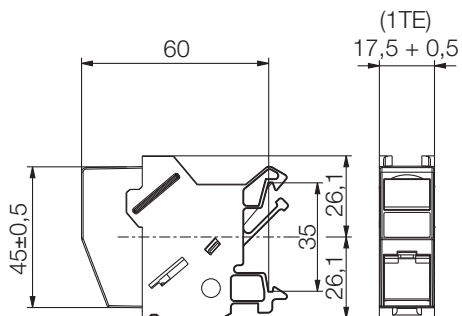


Terminal rail outlets

- Cat.6
- IP 20
- TS35



Terminal rail outlets

Application:

Weidmüller mounting rail outlets should be your first choice in the switchgear cabinet when you need to connect

- installation cables,
- RJ45 cables,
- Fibre optic cable with ST connectors

The differences:

- 8808360000: RJ45 module insert for connecting conductor from AWG26 to AWG22; colour-coded acc. to EIA/TIA 568 A
- 8891980000: RJ45 module insert for connecting conductor from AWG26 to AWG22, colour-coded acc. to EIA/TIA 568 B
- 8879050000: coupling insert RJ45 to RJ45
- 8808340000: coupling insert ST to ST

Ordering data

with Coupling	Type	Order No.
RJ45 - RJ45	IE-XM-RJ45/RJ45	8879050000
ST - ST	IE-XM-ST/ST	8808340000
with module insert		
RJ45 module EIA/TIA 568 A	IE-XM-RJ45/IDC	8808360000
RJ45 module EIA/TIA 568 B	IE-XM-RJ45/IDC-B	8891980000

Accessories

Type	Order No.
Outlet marker	8813500000
Note	

Technical data

Category	Cat.6 (IEC 11801)
Protection class	IP 20
Housing material	PA 66; UL 94: V0
Colour	light grey (RAL 7035)
Plugging cycles	750 plugging cycles for plugs to IEC 60603-7
Installation	for terminal rail TS35

Note: