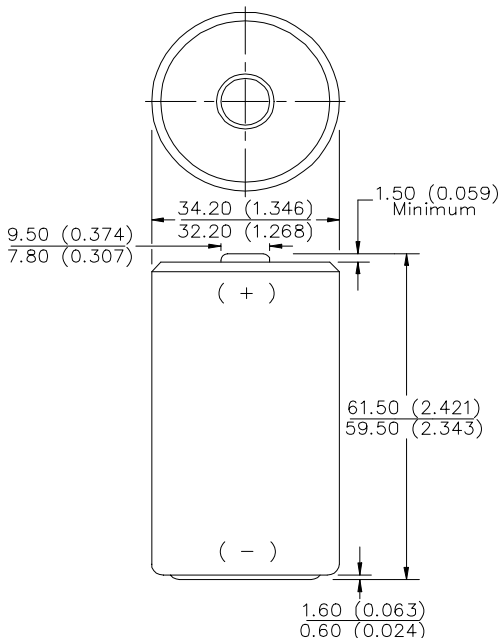


## ENERGIZER NO. NH50

# D



Industry Standard Dimensions in mm (inches)



**Description:** Rechargeable 1.2V  
**Chemical System:** Nickel-Metal Hydride (NiMH)

**Designation:** ANSI-1.2H4  
**Battery Voltage:** 1.2 Volts  
**Average Capacity:** 2500 mAh (to 1.0 volts)  
 (Based on 500 mA (0.2C) discharge rate)  
**Average Weight:** 73.0 grams (2.6 oz.)  
**Volume:** 56.5 cubic centimeters (3.5 cubic inch)  
**Jacket:** Plastic Label

### Internal Resistance

The internal resistance of the cell varies with state of charge, as follows:

Cell Charged	Cell 1/2 Discharged
11 milliohms	21 milliohms

(tolerance of ±20% applies to above values)

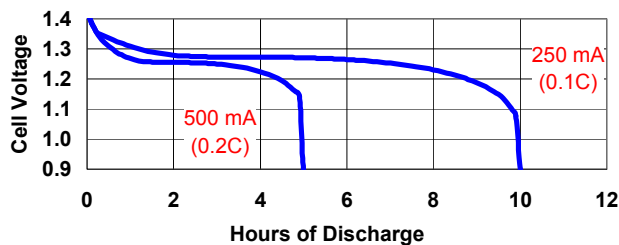
### AC Impedance (No Load)

The impedance of the charged cell varies with frequency, as follows:

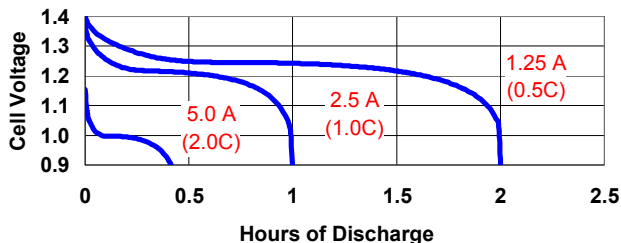
Frequency (Hz)	Impedance (milliohms) (Charged Cell)
1000	9

Note: Above values based on AC current set at 1.0 ampere.  
 Value tolerances are ±20%

TYPICAL DISCHARGE CHARACTERISTICS  
 Average Performance at 21°C (70°F)



TYPICAL DISCHARGE CHARACTERISTICS  
 Average Performance at 21°C (70°F)



### Operating and Storage Temperatures

Ranges of temperature applicable to operation of the NH50 cells are:

- Charge @ 0.1C:** 32°F to 122°F (0°C to 50°C)
- Discharge @ 0.1C:** -4°F to 122°F (-20°C to 50°C)
- Storage:** -40°F to 122°F (-40°C to 50°C)  
 (6 Months Max.)  
 -4°F to 95°F (-20°C to 35°C)  
 (2 Years Max.)

Operating at extreme temperature will significantly affect service and cycle life.

### Important Notice

This data sheet contains information specific to batteries manufactured at the time of its publication.

**Contents herein do not constitute a warranty.**

Copyright © Eveready Battery Co. Inc. - All Rights Reserved