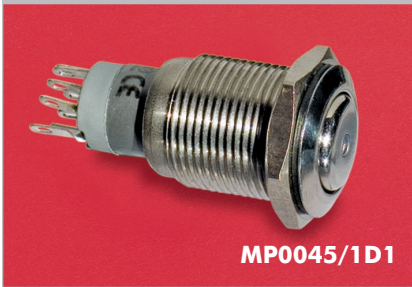


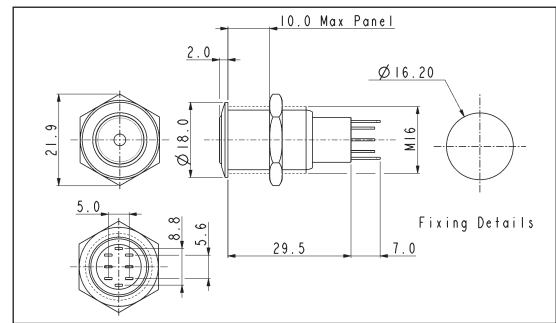
## Stainless Steel Illuminated Momentary

### FRONT PANEL MOUNTING

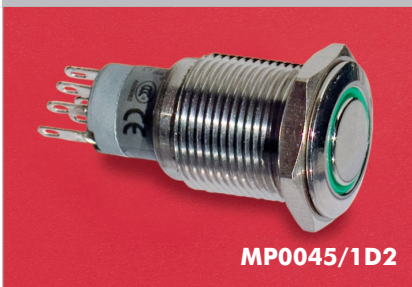


**MP0045/1D1**

- Dot Illuminated
- 18mm bezel diameter
- D.P.C.O.
- 3A, 250V ac
- Red, Green, Amber or Blue Illumination
- Separate LED Terminals

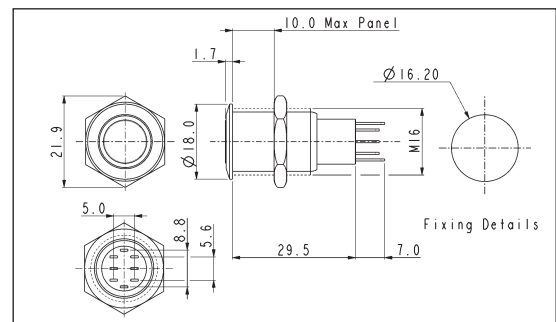


### FRONT PANEL MOUNTING



**MP0045/1D2**

- Ring Illuminated
- 18mm bezel diameter
- D.P.C.O.
- 3A, 250V ac
- Red, Green, Amber or Blue Illumination
- Separate LED Terminals



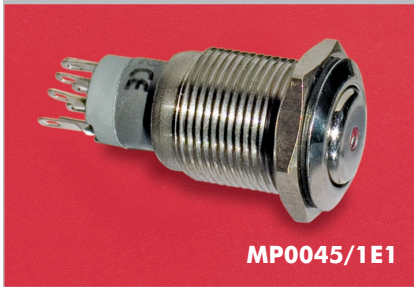
### Specification

#### MP0045/1D1/Colour/Voltage

#### MP0045/1D2/Colour/Voltage

Terminations:	Solder Tags	Solder Tags
Illumination:	Dot	Ring
Switching:	D.P.C.O. Momentary Action	D.P.C.O. Momentary Action
Max. Switch Rating:	3A, 250V a.c.	3A, 250V a.c.
LEDs		
Colours	Red      Green      Amber      Blue	Red      Green      Amber      Blue
Part No.	/RD      /GN      /AM      /BL	/RD      /GN      /AM      /BL
Voltage	12V d.c.    220V d.c.	12V d.c.    220V d.c.
Part No.	/012      /220	/012      /220
Contact Resistance:	50mΩ max. @ 1A, 2V d.c.	50mΩ max. @ 1A, 2V d.c.
Insulation Resistance:	>10 <sup>3</sup> MΩ @ 500V a.c.	>10 <sup>3</sup> MΩ @ 500V a.c.
Dielectric Strength:	>2.0kV a.c.	>2.0kV a.c.
Operating Temp. Range:	-30°C to +55°C	-30°C to +55°C
Operations		
Mechanical:	200,000 (min)	200,000 (min)
Electrical:	30,000 (min)	30,000 (min)
Rear Nut Fixing Torque:	12Nm	12Nm
Materials		
Mouldings:	Nylon	Nylon
Tags:	Brass, Silver Plated	Brass, Silver Plated
Switch Body & Button:	Stainless Steel (Polished)	Stainless Steel (Polished)
O ring:	Nitrile	Nitrile
Variants	Prominent Button, details on request	Prominent Button, details on request
<b>RoHS</b>	Compliant	Complaint

**FRONT PANEL MOUNTING**



**MP0045/1E1**

- Dot Illuminated
- 18mm bezel diameter
- D.P.C.O.
- 3A, 250V ac
- Red, Green, Amber or Blue Illumination
- Separate LED Terminals

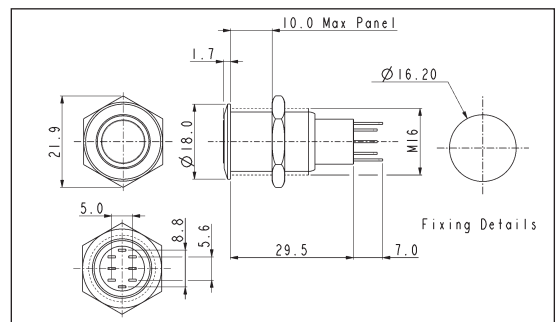
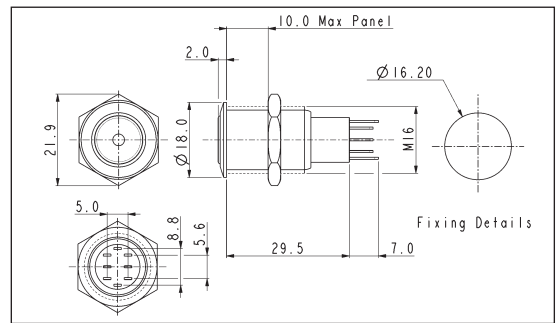
**FRONT PANEL MOUNTING**



**MP0045/1E2**

- Ring Illuminated
- 18mm bezel diameter
- D.P.C.O.
- 3A, 250V ac
- Red, Green, Amber or Blue Illumination
- Separate LED Terminals

**Stainless Steel Illuminated Latching**



Specification	MP0045/1E1/Colour/Voltage	MP0045/1E2/Colour/Voltage
Terminations:	Solder Tags	Solder Tags
Illumination:	Dot	Ring
Switching:	D.P.C.O. Latching Action	D.P.C.O. Latching Action
Max. Switch Rating:	3A, 250V a.c.	3A, 250V a.c.
LEDs		
Colours	Red      Green      Amber      Blue	Red      Green      Amber      Blue
Part No.	/RD      /GN      /AM      /BL	/RD      /GN      /AM      /BL
Voltage	12V d.c.    220V d.c.	12V d.c.    220V d.c.
Part No.	/012      /220	/012      /220
Contact Resistance:	50mΩ max. @ 1A, 2V d.c.	50mΩ max. @ 1A, 2V d.c.
Insulation Resistance:	>10 <sup>3</sup> MΩ @ 500V a.c.	>10 <sup>3</sup> MΩ @ 500V a.c.
Dielectric Strength:	>2.0kV a.c.	>2.0kV a.c.
Operating Temp. Range:	-30°C to +55°C	-30°C to +55°C
Operations		
Mechanical:	200,000 (min)	200,000 (min)
Electrical:	30,000 (min)	30,000 (min)
Rear Nut Fixing Torque:	12Nm	12Nm
Materials		
Mouldings:	Nylon	Nylon
Tags:	Brass, Silver Plated	Brass, Silver Plated
Switch Body & Button:	Stainless Steel (Polished)	Stainless Steel (Polished)
O ring:	Nitrile	Nitrile
Variants	Prominent Button, details on request	Prominent Button, details on request
<b>RoHS</b>	Compliant	Compliant