

### Features

- Micropower operation
- Operation with North or South Pole
- 1.65 to 3.3V battery operation
- Chopper stabilized
  - Superior temperature stability
  - Extremely Low Switch-Point Drift
  - Insensitive to Physical Stress
- Good RF noise immunity
- -40°C to 85°C operating temperature
- ESD > 4KV in human body mode
- SOT553: Available in "Green" Molding Compound (No Br, Sb)
- Lead Free Finish/RoHS Compliant (Note 1)

### General Description

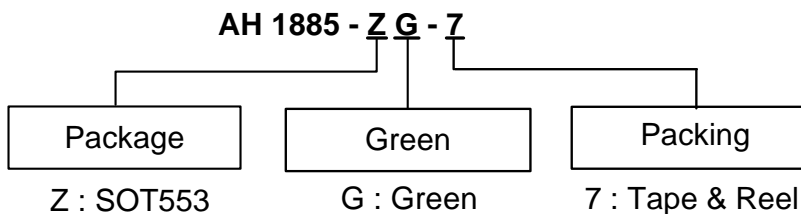
AH1885 is with two Hall effect plates and dual CMOS output driver, mainly designed for battery-powered, hand-held equipment (such as Cellular and Cordless Phone, PDA). The total operation power is down to 15uW in the 1.8V supply. Either north or south pole of sufficient strength will turn the output1 on. The output1 will be turned off under no magnetic field.

While the magnetic flux density (**B**) is larger than operate point (**Bop**), the output1 will be turned on (low), the output1 is held until **B** is lower than release point (**Brp**), then turned off.

### Applications

- Cellular phone
- PDA
- Cordless phone

### Ordering Information

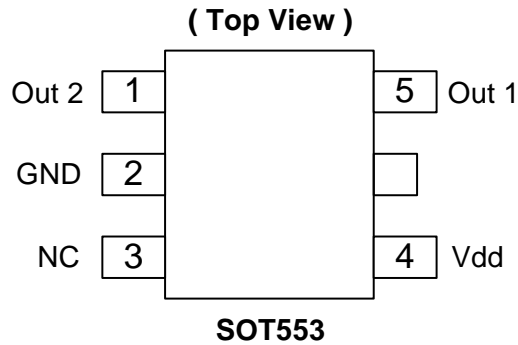


Device	Package Code	Packaging (Note 2)	7" Tape and Reel	
			Quantity	Part Number Suffix
AH1885-ZG-7	Z	SOT553	3000/Tape & Reel	-7



Notes: 1. EU Directive 2002/95/EC (RoHS). All applicable RoHS exemptions applied, see *EU Directive 2002/95/EC Annex Notes*.  
 2. Pad layout as shown on Diodes Inc. suggested pad layout document AP02001, which can be found on our website at <http://www.diodes.com/datasheets/ap02001.pdf>.

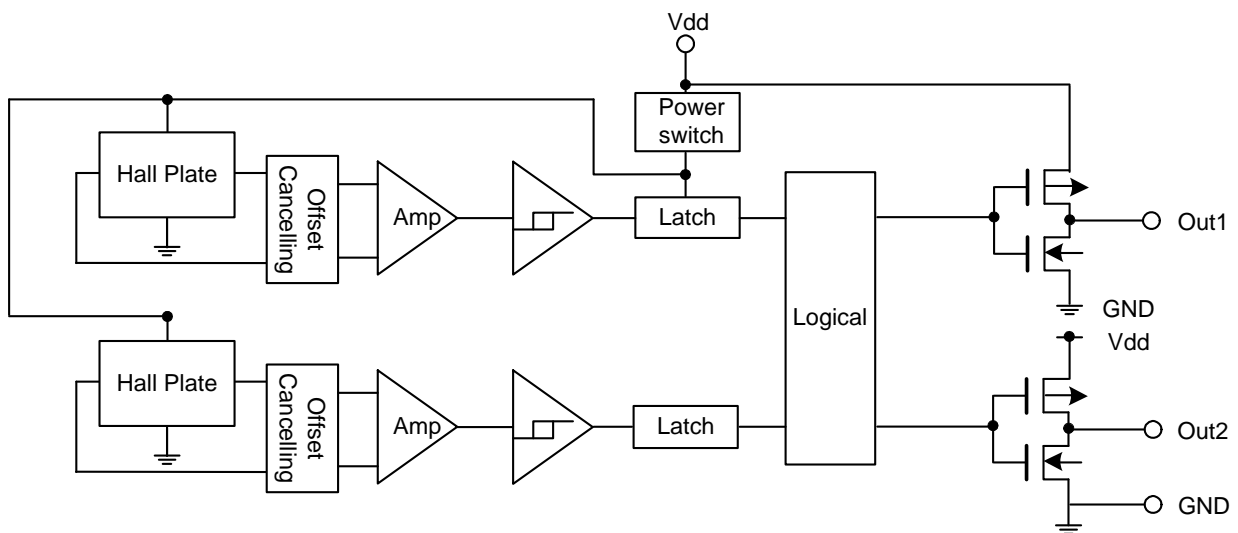
**Pin Assignment**



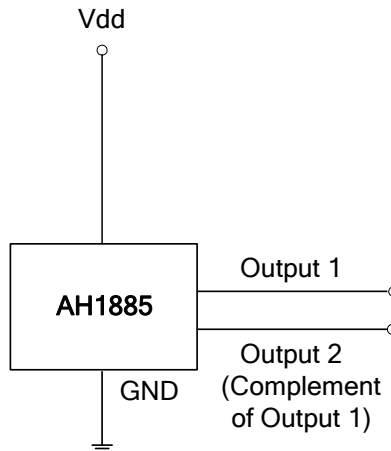
**Pin Descriptions**

Pin Name	P/I/O	Pin #	Description
Out 2	O	1	Output Pin (active High)
GND	P/I	2	Ground
NC		3	No Connection
Vdd	P/I	4	Power Supply Voltage
Out 1	O	5	Output Pin (active Low)

**Block Diagram**



**Typical Circuit**



**Absolute Maximum Ratings** (at  $T_A = 25^\circ\text{C}$ )

Symbol	Characteristics	Values	Unit
Vdd	Supply voltage	5	V
B	Magnetic flux density	Unlimited	
$T_A$	Operating Temperature Range	-40 to +85	$^\circ\text{C}$
$T_s$	Storage Temperature Range	-65 to +150	$^\circ\text{C}$
PD	Package Power Dissipation	230	mW
$T_J$	Maximum Junction Temperature	150	$^\circ\text{C}$

**Recommended Operating Conditions** ( $T_A = 25^\circ\text{C}$ )

Symbol	Parameter	Conditions	Rating	Unit
Vdd	Supply Voltage	Operating	1.65~3.3	V

### Electrical Characteristics (TA = +25°C, Vdd = 1.8V; unless otherwise specified)

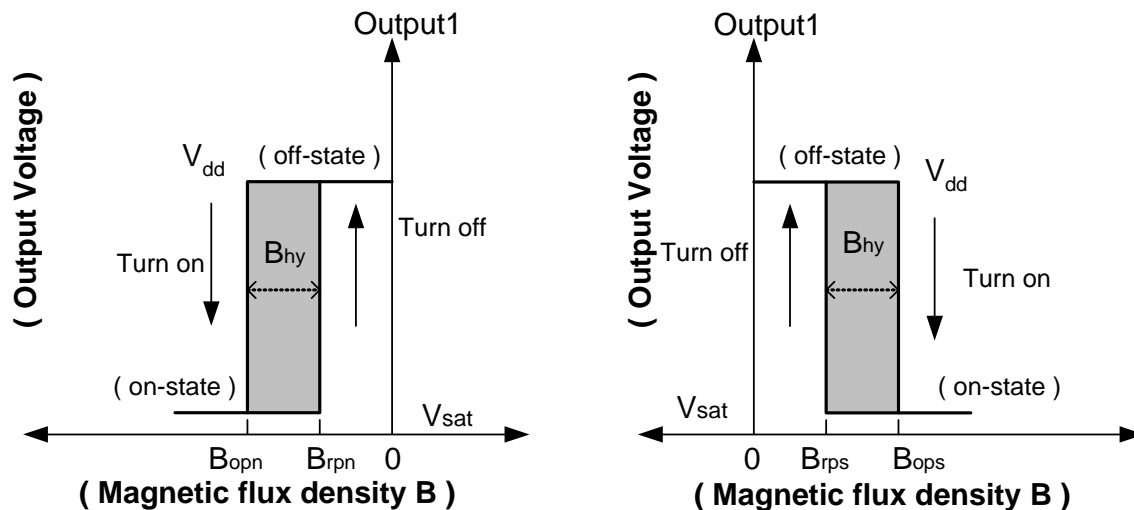
Symbol	Characteristic	Conditions	Min	Typ.	Max	Unit
V <sub>OH</sub>	Output On Voltage (High side)	I <sub>O</sub> = -0.5mA	V <sub>dd</sub> -0.2	-	-	V
V <sub>OL</sub>	Output On Voltage (Low side)	I <sub>O</sub> = 0.5mA	-	-	0.2	V
I <sub>off</sub>	Output Leakage Current	Output off	-	<0.1	1	μA
I <sub>dd(en)</sub>	Supply Current	Chip enable	-	2	4	mA
I <sub>dd(dis)</sub>		Chip disable	-	5	8	μA
I <sub>dd(avg)</sub>		average supply current	-	7	12	μA
T <sub>awake</sub>	Awake Time		-	50	100	μs
T <sub>period</sub>	Period		-	50	100	ms
D.C.	Duty Cycle		-	0.1	-	%

### Magnetic Characteristics (TA = 25°C, Vdd = 1.8V~3.0V) (Note 3)

(1mT=10 Gauss)

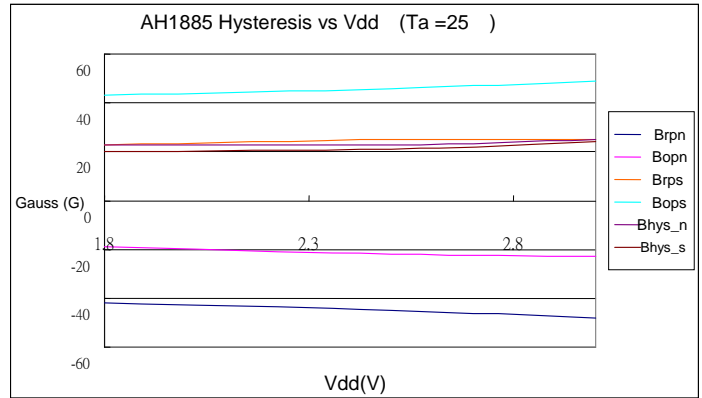
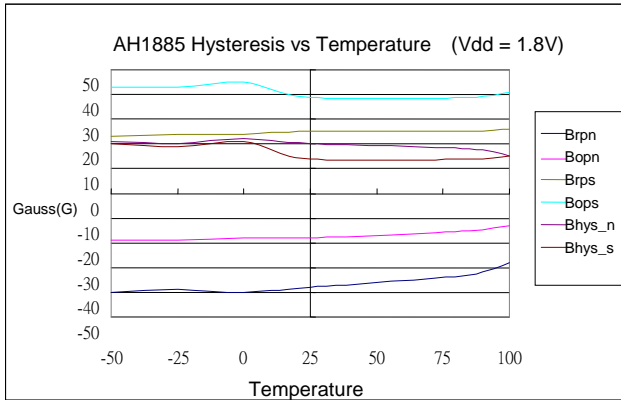
Symbol	Characteristic (Note 4)	Min	Typ.	Max	Unit
B <sub>ops</sub> (south pole to brand side)	Operate Point	18	37	59	Gauss
B <sub>opn</sub> (north pole to brand side)		-59	-37	-18	
B <sub>rps</sub> (south pole to brand side)	Release Point	15	29	-	
B <sub>rpn</sub> (north pole to brand side)		-	-29	-15	
B <sub>hy</sub> ( B <sub>opx</sub> - B <sub>rpx</sub>  )	Hysteresis	3	8	-	

Notes: 3. Typical data is at Ta = 25°C, Vdd = 3V, and for design information only.  
 4. Operate point and release point will vary with supply voltage and operating temperature.

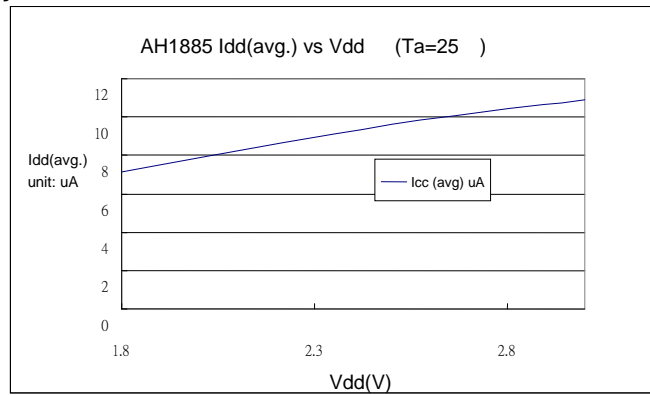
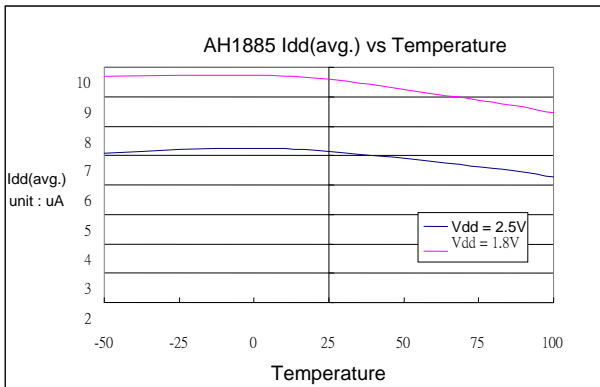


**Typical Operating Characteristics**

**Switching Point**

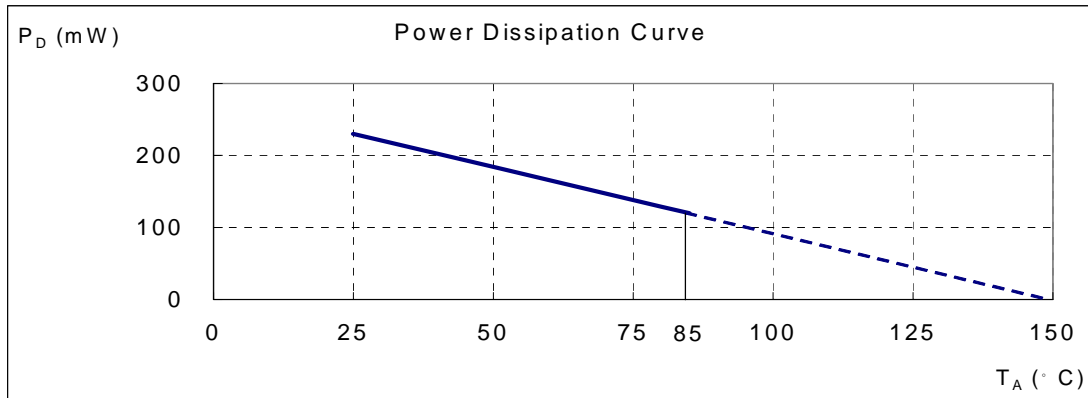


**Supply Current**



**Performance Characteristics**

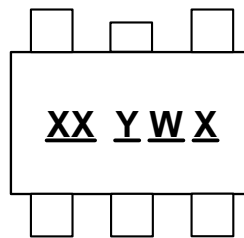
T <sub>A</sub> (°C)	25	50	60	70	80	85	90	100	110	120	130	140	150
P <sub>D</sub> (mW)	230	184	166	147	129	120	110	92	74	55	37	18	0



**Marking Information**

(1) SOT553

( Top View )

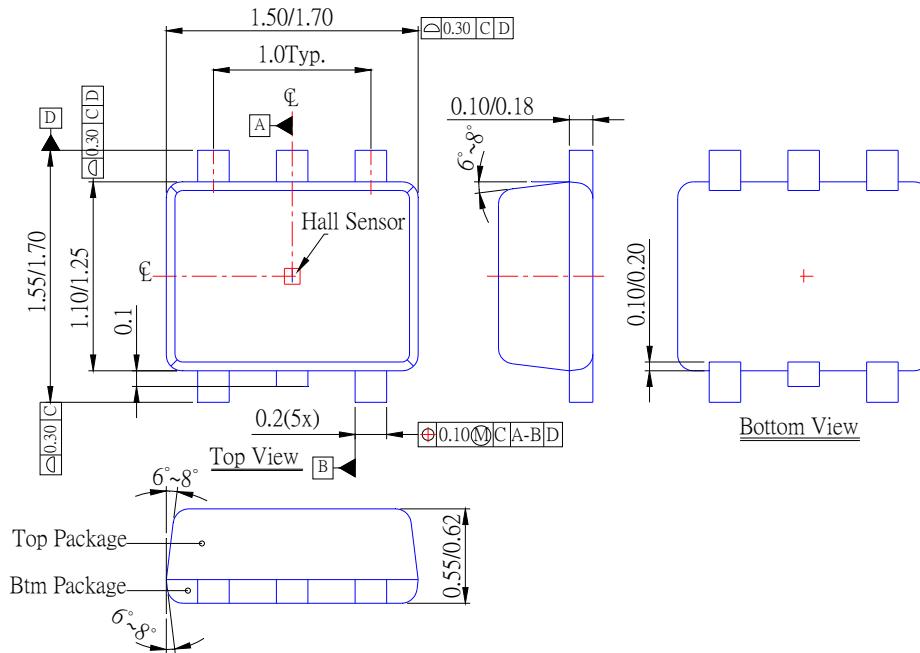


XX : Identification Code  
Y : Year : 0~9  
W : Week : A~Z : 1~26 week;  
a~z : 27~52 week; z represents  
52 and 53 week  
X : A~Z : Green

Part Number	Package	Identification Code
AH1885	SOT553	KS

**Package Information (All Dimensions in mm)**

**(1) Package Type: SOT553**



**IMPORTANT NOTICE**

Diodes Incorporated and its subsidiaries reserve the right to make modifications, enhancements, improvements, corrections or other changes without further notice to any product herein. Diodes Incorporated does not assume any liability arising out of the application or use of any product described herein; neither does it convey any license under its patent rights, nor the rights of others. The user of products in such applications shall assume all risks of such use and will agree to hold Diodes Incorporated and all the companies whose products are represented on our website, harmless against all damages.

**LIFE SUPPORT**

Diodes Incorporated products are not authorized for use as critical components in life support devices or systems without the expressed written approval of the President of Diodes Incorporated.