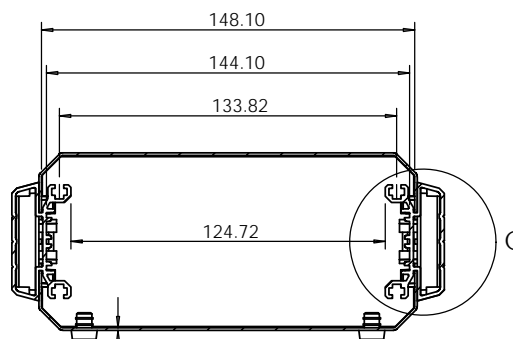
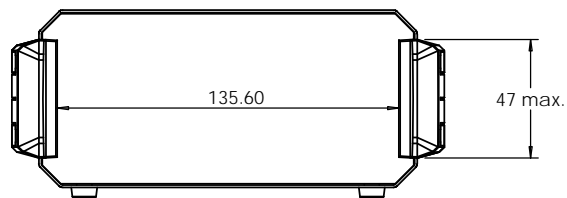


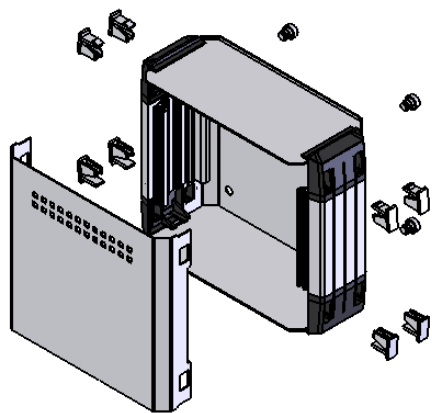
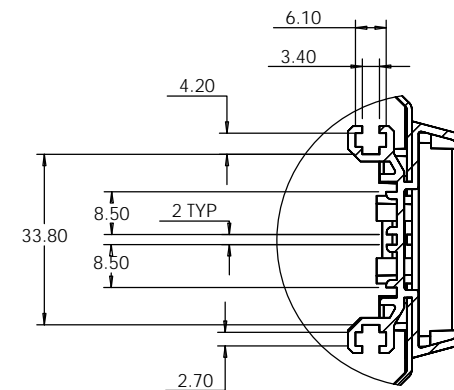
OVERALL ASSEMBLY DIMENSIONS:

EXTERNAL - 171.6 x 145 x 70.4

INTERNAL - 148.1 x 133 x 68.4



1.0 SHEET THICKNESS



ISO VIEW
1:5

		UNLESS OTHERWISE SPECIFIED: DIMENSIONS ARE IN MILLIMETERS		DO NOT SCALE DRAWING	REVISION. 0
		FINISH: -----		TITLE: GNL ASSEMBLY DRG FOR 110 SERIES INSTRUMENT CASE	
JAMES CARTER RD, MILDENHALL, SUFFOLK. IP28 7DE TEL: 01638 716101 FAX: 01638 716554 EMAIL: SALES@BOSS-ENCLOSURES.CO.UK WEB: www.BOSS-ENCLOSURES.CO.UK		MATERIAL. VAR	DWG NO. 31110001	A4	
DRAWN S.HARDINGE	SIGNED SJH	DATE 03/07/08	PROJECTION. 	SCALE: 1:3	SHEET 1 OF 1