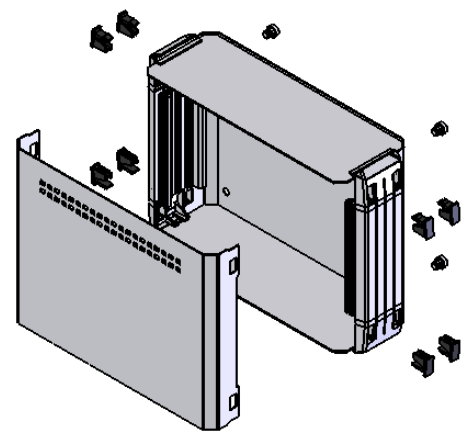
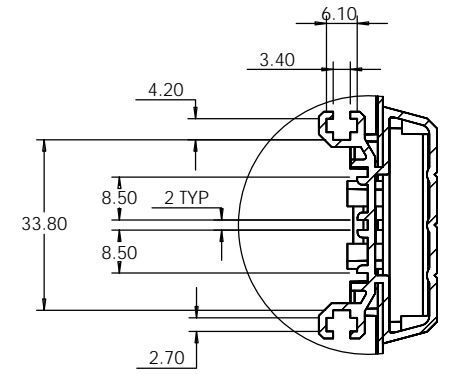
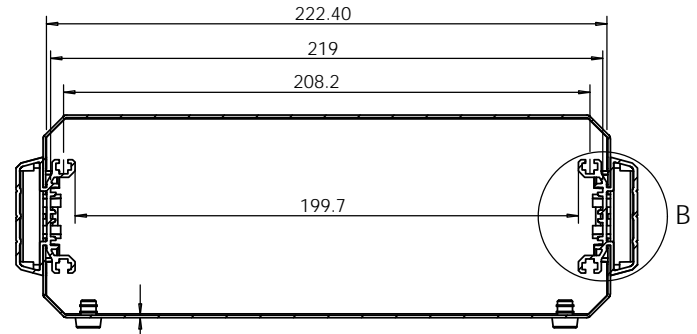
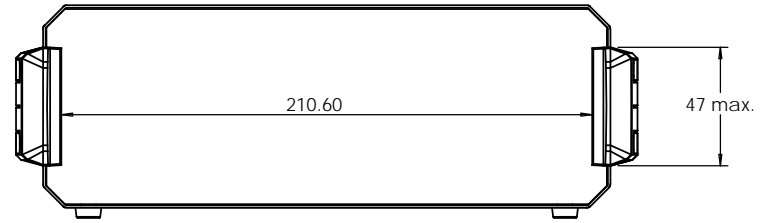


OVERALL ASSEMBLY DIMENSION:  
 EXTERNAL - 246.6 x 175 x 80.4  
 INTERNAL - 222.4 x 163 x 78.4



ISO VIEW  
1:6

1.0  
SHEET THICKNESS

|   |            |     |          |  |  |  |  |              |  |
|---|------------|-----|----------|--|--|--|--|--------------|--|
|   |            |     |          | UNLESS OTHERWISE SPECIFIED:<br>DIMENSIONS ARE IN MILLIMETERS |  | DO NOT SCALE DRAWING   |  | REVISION. 0  |  |
|   |            |     |          | FINISH:<br>-----   |  | TITLE:<br><b>GNL ASSEMBLY DRG FOR<br/>31110003 INSTRUMENT CASE</b> |  |              |  |
| JAMES CARTER RD, MILDENHALL, SUFFOLK. IP28 7DE<br>TEL: 01638 716101 FAX: 01638 716554<br>EMAIL: SALES@BOSS-ENCLOSURES.CO.UK<br>WEB: www.BOSS-ENCLOSURES.CO.UK |            |     |          | MATERIAL:<br><b>VAR</b>                                      |  | DWG NO.<br><b>31110003</b>   |  | A4           |  |
| DRAWN   | S.HARDINGE | SJH | 04/04/08 | PROJECTION.  |  | SCALE: 1:3   |  | SHEET 1 OF 1 |  |
| CHK'D   | -          | -   | -        |  |  |  |  |              |  |