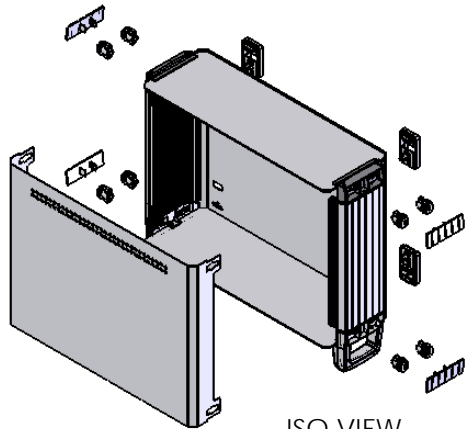
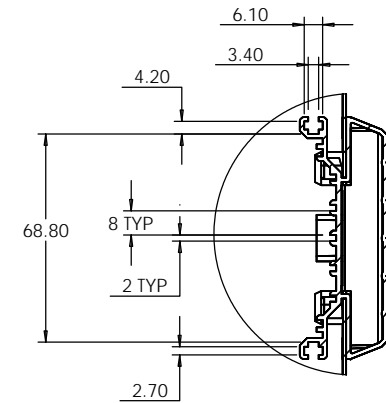
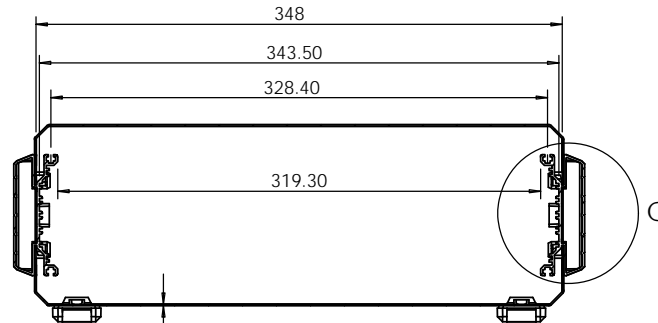
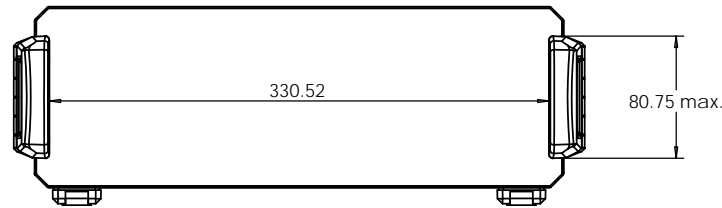


OVERALL ASSEMBLY DIMENSIONS:
 EXTERNAL - 377.5 x 311 x 119.8
 INTERNAL - 348 x 251 x 117.8



ISO VIEW
1:10

1
SHEET THICKNESS

		UNLESS OTHERWISE SPECIFIED: DIMENSIONS ARE IN MILLIMETERS		DO NOT SCALE DRAWING	REVISION. 0
		FINISH: -----		TITLE: GNL ASSEMBLY DRG FOR 110 SERIES - 31110006	
JAMES CARTER RD, MILDENHALL, SUFFOLK. IP28 7DE TEL: 01638 716101 FAX: 01638 716554 EMAIL: SALES@BOSS-ENCLOSURES.CO.UK WEB: www.BOSS-ENCLOSURES.CO.UK		MATERIAL.	VAR	DWG NO.	31110006
NAME	SIGNED	DATE	PROJECTION.	SCALE: 1 : 5	SHEET 1 OF 1
DRAWN	S.HARDINGE	SJH			
CHK'D	-	-	-		

A4