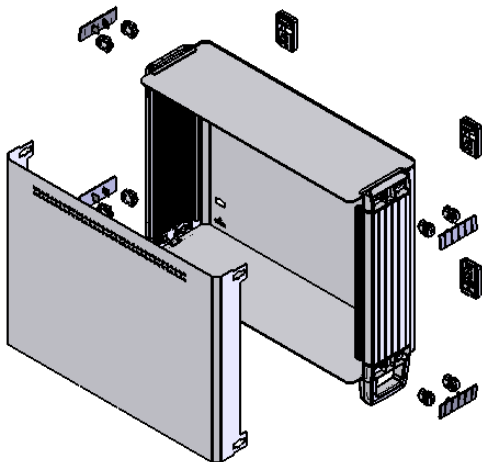
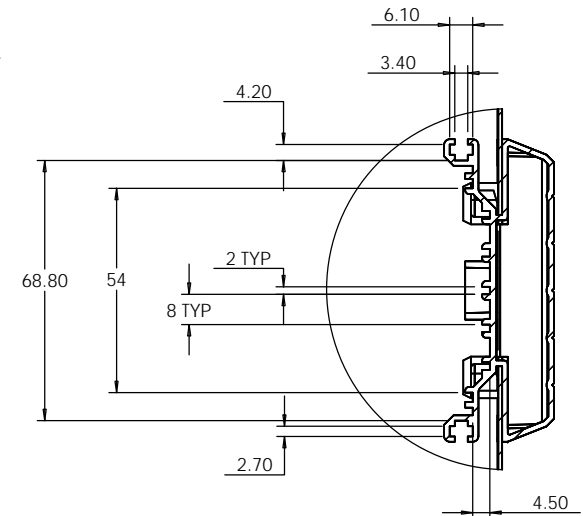
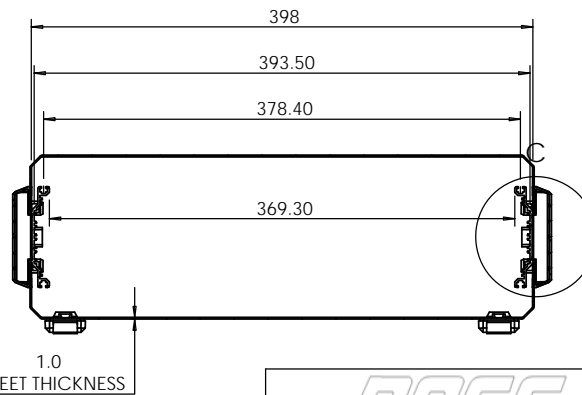
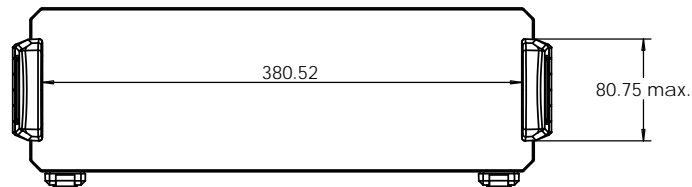


OVERALL ASSEMBLY DIMENSIONS:
 EXTERNAL - 427.5 x 351 x 130
 INTERNAL - 398 x 291 x 128



ISO VIEW
 1:10

				UNLESS OTHERWISE SPECIFIED: DIMENSIONS ARE IN MILLIMETERS		DO NOT SCALE DRAWING		REVISION: 0	
				FINISH: -----		TITLE: GNL ASSEMBLY DRG FOR 110 SERIES - INSTRUMENT CASE			
JAMES CARTER RD, MILDENHALL, SUFFOLK. IP28 7DE TEL: 01638 716101 FAX: 01638 716554 EMAIL: SALES@BOSS-ENCLOSURES.CO.UK WEB: www.BOSS-ENCLOSURES.CO.UK				MATERIAL: VAR		DWG NO. 31110007		A4	
DRAWN S.HARDINGE		SIGNED SJH		DATE 03/07/08		SCALE: 1:6		SHEET 1 OF 1	
CHK'D -		-		-		PROJECTION:			