

Printed Circuit Board Headers

Technical Features

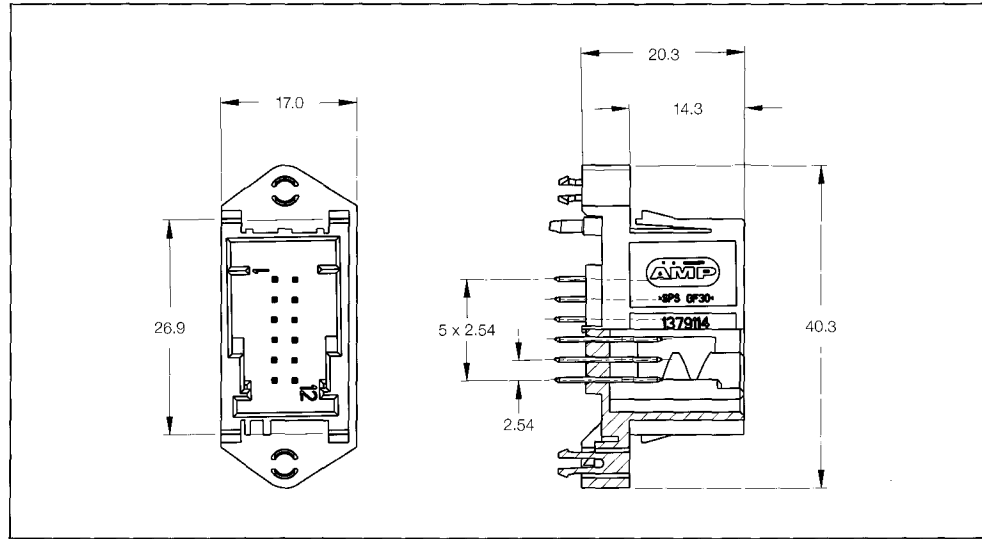
No. of Positions:
12 Positions with Board Locks

Housing Material:
SPS GF30

Material and Finish:
CuSn6, post tin plated

Product Specification:
108-15180

Application Specification:
—



12 Position PCB Headers

No. of Pos.	Keying Options	Housing Color	Part Numbers					
			PCB Header Right-Angle	PCB Header Vertical	Cover	Cover and Lever	Retainer Housing	Mating Counter Part
12	—	Black	—	1379114-1	—	—	—	185303 185341
		Blue	—	1379114-2	—	—	—	185343 1379095
		Brown	—	1379114-3	—	—	—	1379096

Technical Features

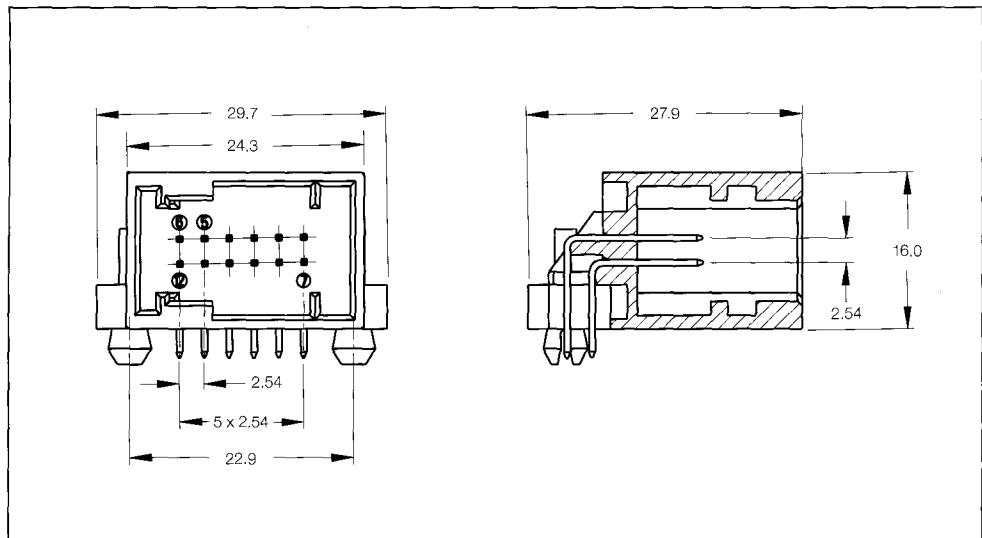
No. of Positions:
12 Positions with Board Locks

Housing Material:
PBT GF20

Material and Finish:
CuSn6, post tin plated

Product Specification:
108-15159

Application Specification:
—



12 Position PCB Headers

No. of Pos.	Keying Options	Housing Color	Part Numbers					
			PCB Header Right-Angle	PCB Header Vertical	Cover	Cover and Lever	Retainer Housing	Mating Counter Part
12	—	Black	185740-1	—	—	—	—	185303 185341
		Blue	185740-2	—	—	—	—	185343 1379095
		Brown	185740-3	—	—	—	—	1379096