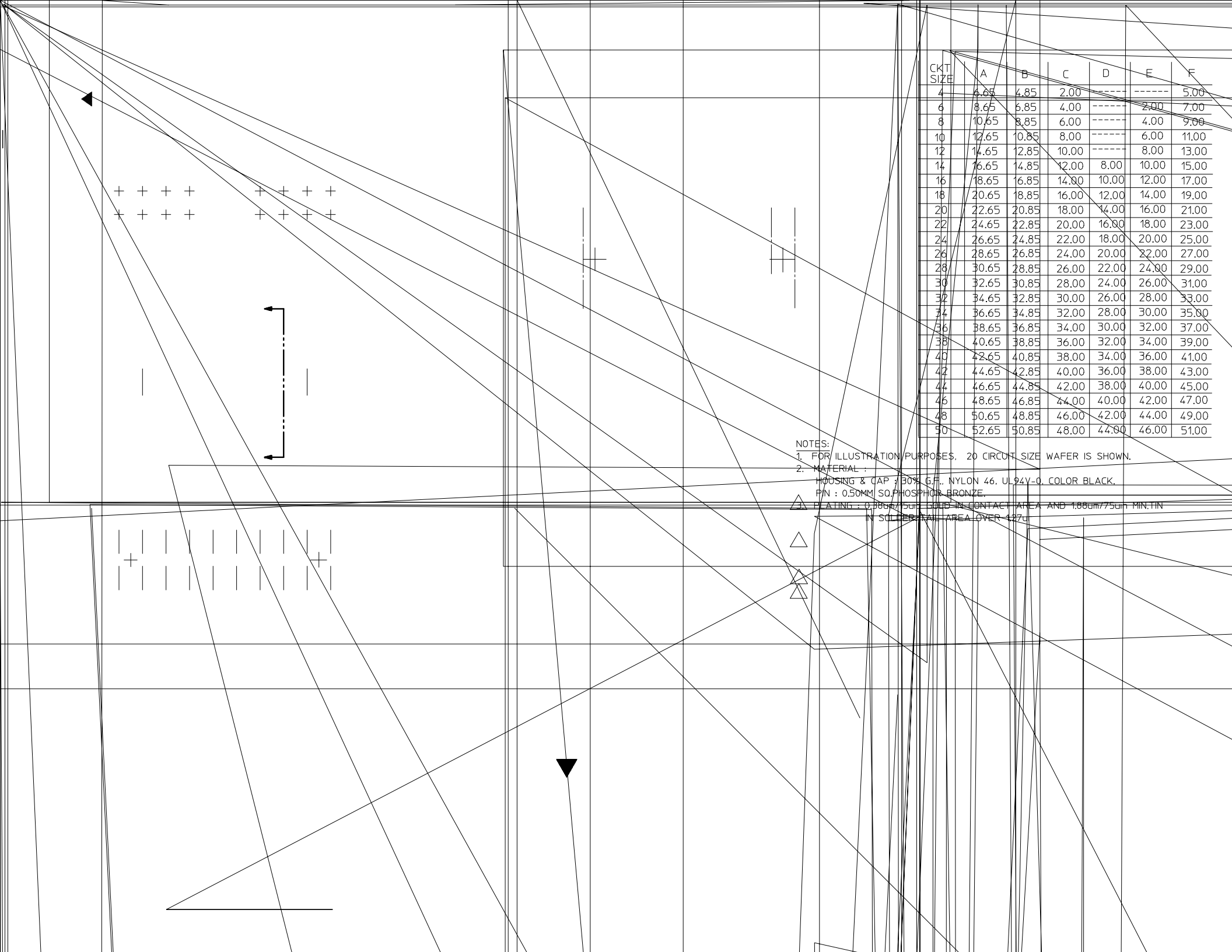


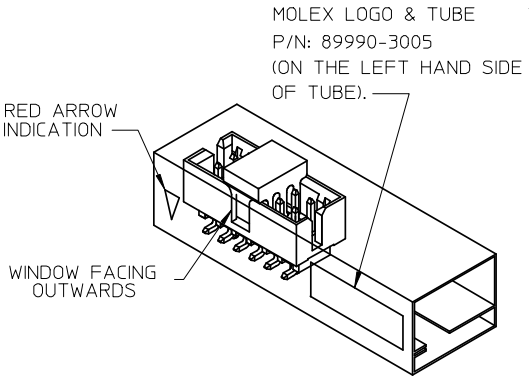
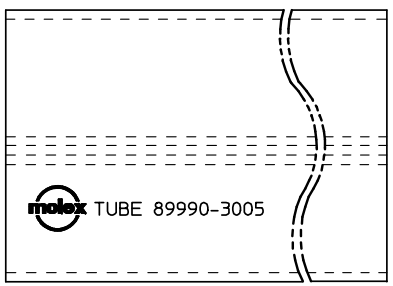
CKT SIZE	A	B	C	D	E	F
4	6.65	4.85	2.00	-----	-----	5.00
6	8.65	5.85	4.00	-----	2.00	7.00
8	10.65	6.85	6.00	-----	4.00	9.00
10	12.65	7.85	8.00	-----	6.00	11.00
12	14.65	8.85	10.00	-----	8.00	13.00
14	16.65	9.85	12.00	8.00	10.00	15.00
16	18.65	10.85	14.00	10.00	12.00	17.00
18	20.65	11.85	16.00	12.00	14.00	19.00
20	22.65	12.85	18.00	14.00	16.00	21.00
22	24.65	13.85	20.00	16.00	18.00	23.00
24	26.65	14.85	22.00	18.00	20.00	25.00
26	28.65	15.85	24.00	20.00	22.00	27.00
28	30.65	16.85	26.00	22.00	24.00	29.00
30	32.65	17.85	28.00	24.00	26.00	31.00
32	34.65	18.85	30.00	26.00	28.00	33.00
34	36.65	19.85	32.00	28.00	30.00	35.00
36	38.65	20.85	34.00	30.00	32.00	37.00
38	40.65	21.85	36.00	32.00	34.00	39.00
40	42.65	22.85	38.00	34.00	36.00	41.00
42	44.65	23.85	40.00	36.00	38.00	43.00
44	46.65	24.85	42.00	38.00	40.00	45.00
46	48.65	25.85	44.00	40.00	42.00	47.00
48	50.65	26.85	46.00	42.00	44.00	49.00
50	52.65	27.85	48.00	44.00	46.00	51.00

NOTES:
 1. FOR ILLUSTRATION PURPOSES, 20 CIRCUIT SIZE WAFER IS SHOWN.
 2. MATERIAL :
 HOUSING & CAP : 30% G.F. NYLON 46, UL 94V-0, COLOR BLACK,
 PIN : 0.50MM SQ. PHOSPHOR BRONZE.
 3. PLATING : 0.08um/75um GOLD IN CONTACT AREA AND 1.88um/75um MIN. TIN
 IN SOLDER TAIL AREA OVER 427u

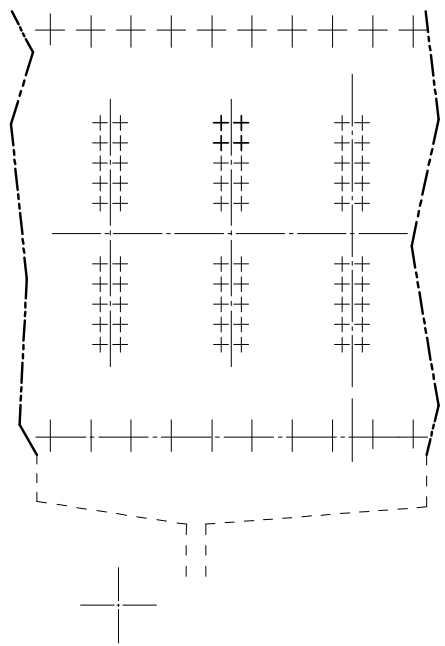


10 9 8 7 6 5 4 3 2 1

TUBE PACKAGING



REF : ORIENTATION OF PART IN TUBE.
(FOR THE REFERENCE OF PART/TUBE ASSEMBLY.)



ADD 878326622 PDR#1755	DESCRIPTION
EC NO: S2008-0680	DRWN: ATSEE
2008/07/15	CHKD: SKANG
2008/02/15	APPR: MLONG
2008/02/18	
REV	
A8	

GENERAL TOLERANCES (UNLESS SPECIFIED)	
	mm
4 PLACES	± 0.2
3 PLACES	± 0.2
2 PLACES	± 0.2
1 PLACE	± 0.2
	INCH
	± 0.005
	± 0.005
	± 0.005
	± 0.005
	ANGULAR
	± 0.05

DIMENSION STYLE	
MM ONLY	
DRAWN BY	DATE
ATSEE	2003/10/14
CHECKED BY	DATE
KCLING	2003/11/07
APPROVED BY	DATE
SKTOH	2003/11/07
MATERIAL NO.	
SEE TABLE	
SIZE	
A3	

SCALE	DESIGN UNITS	THIRD ANGLE PROJECTION
NTS	METRIC	
TITLE		
MGRID, SHROUDED HEADER SMT, W/PEGS/CAP FOR PICK & PLACE IN TUBE AND T&R		
MOLEX INCORPORATED		SHEET NO.
DOCUMENT NO. SD-87832-006		2 OF 3
THIS DRAWING CONTAINS INFORMATION THAT IS PROPRIETARY TO MOLEX INCORPORATED AND SHOULD NOT BE USED WITHOUT WRITTEN PERMISSION		

9 8 7 6 5 4 3 2 1

10 9 8 7 6 5 4 3 2 1

REG. OPTION	P/N W/O CAP IN TUBE	P/N W/CAP IN TUBE	P/N W/CAP IN TAPE & REEL	CKT SIZE	DIMENSION					
					W	G	Bo	So	Ao	Ko
NO	87832-0420	87832-0422	87832-5122	4	16.00	7.50	7.15	-----	6.40	9.30
YES	87832-0620	87832-0622	87832-5222	6	24.00	11.50	9.15	-----	6.40	9.30
YES	87832-0820	87832-0822	87832-5322	8	24.00	11.50	11.05	-----	6.40	9.30
YES	87832-1020	87832-1022	87832-5422	10	24.00	11.50	13.05	-----	6.40	9.30
YES	87832-1220	87832-1222	87832-5522	12	32.00	14.20	15.15	28.40	6.85	9.30
YES	87832-1420	87832-1422	87832-5622	14	32.00	14.20	17.05	28.40	6.40	9.30
YES	87832-1620	87832-1622	87832-5722	16	32.00	14.20	19.05	28.40	6.40	9.30
YES	87832-1820	87832-1822	87832-5822	18	44.00	20.20	21.05	40.40	6.40	9.30
YES	87832-2020	87832-2022	87832-5922	20	44.00	20.20	23.05	40.40	6.40	9.30
YES	87832-2220	87832-2222	87832-6022	22	44.00	20.20	25.05	40.40	6.40	9.30
YES	87832-2420	87832-2422	87832-6122	24	44.00	20.20	27.05	40.40	6.40	9.30
YES	87832-2620	87832-2622	87832-6222	26	44.00	20.20	29.05	40.40	6.40	9.30
YES	87832-2820	87832-2822	87832-6322	28	56.00	26.20	31.05	52.40	6.40	9.30
YES	87832-3020	87832-3022	87832-6422	30	56.00	26.20	33.05	52.40	6.40	9.30
YES	87832-3220	87832-3222	-----	32	-----	-----	-----	-----	-----	-----
YES	87832-3420	87832-3422	87832-6622	34	56.00	26.20	37.05	52.40	6.40	9.30
YES	87832-3620	87832-3622	-----	36	-----	-----	-----	-----	-----	-----
YES	87832-3820	87832-3822	-----	38	-----	-----	-----	-----	-----	-----
YES	87832-4020	87832-4022	87832-6922	40	56.00	26.20	43.05	52.40	6.40	9.30
YES	87832-4220	87832-4222	-----	42	-----	-----	-----	-----	-----	-----
YES	87832-4420	87832-4422	87832-7122	44	56.00	26.20	46.80	52.40	6.40	9.30
YES	87832-4620	87832-4622	87832-7222	46	56.00	26.20	47.05	52.40	6.40	9.30
YES	87832-4820	87832-4822	-----	48	-----	-----	-----	-----	-----	-----
YES	87832-5020	87832-5022	87832-7422	50	72.00	34.20	53.05	68.40	6.40	9.30

PLS REFER TO PART 87832-***08 FOR CENTER LOCKING SLOT OPTION.

ADD 878326622 PDR#1755 EIC NO: S2008-0680 DRAWN BY: ATSEE CHECKED BY: KCLING APPROVED BY: SKTOH DATE: 2008/02/15 DATE: 2008/02/15 DATE: 2008/02/18	DIMENSION STYLE MM ONLY	SCALE NTS	DESIGN UNITS METRIC	<input checked="" type="checkbox"/> THIRD ANGLE PROJECTION	TITLE MGRID, SHROUDED HEADER SMT, W/PEGS/CAP FOR PICK & PLACE IN TUBE AND T&R	MATERIAL NO. SEE TABLE	DOCUMENT NO. SD-87832-006	SHEET NO. 3 OF 3

9 8 7 6 5 4 3 2 1