

UTS discrete wire sealing



Technical characteristics

Mechanical

- Durability: 250 matings & unmatings
- Vibration resistance: Sinusoidal vibrations per CEI 60512-4 - from 10 to 2000 Hz
- Thermal shock: 5 cycles 30 min. from -40°C to 105°C per MIL-STD 1344 method 1003
- Wire insulation: Ø from 1.7 to 3.0 mm

Electrical

- Current per contact max.: 13A
- Insulation resistance: ≥ 5000 MΩ
- Test potential: 2000 VAC
- Working voltage: up to 400V class III, PD 2 as per VDE up to 500V as per UL1977 see page 7 for more details

Environmental

- Operating temperature: -40°C to + 105°C
- Flammability rating: UL94-V0
- Salt spray: 500 hours
- Sealing (mated): IP67/69K (up to IP68/69K with the easy handling backshell)
- UV resistant: No mechanical degradation or important variation of color after 5 years of exposure in natural environment (equivalence exposure to sun and moisture as per ISO4892)

Material

- Connectors + Backshell: Thermoplastic

Contact accommodation

- UTS connectors accept TRIM TRIO® size 16 or size 20 (depending on arrangement) removable snap-lock contacts
- Contacts to be ordered separately - see from page 25 to 54

In accordance with UL requirements (UL ECBT2.E169916 and CSA ECBT8.E169916)

Ordering information

Type		UTS	6	G	JC	14	12	S
		UTS	7	G	N	14	12	P
		UTS	1	G	N	14	12	P
Connector type								
1	In-line receptacle							
6	Cable plug							
7	Jam nut receptacle							
Grommet								
Rear of the connector								
JC	Backshell							
N	Nut							
Insert arrangements	10	12	14					
Number of contacts	4	8	7 - 12					
Contact Gender								
P	Pin contacts - only for receptacle							
S	Socket contacts - only for cable plug							

UTS : Your first choice in waterproof connectors !



UTS discrete wire sealing

UTS discrete wire sealing contacts arrangements

Size 10

4

Contacts :
4 Ø 1.6 (#16)

Size 12

8

Contacts :
8 Ø 1.6 (#16)

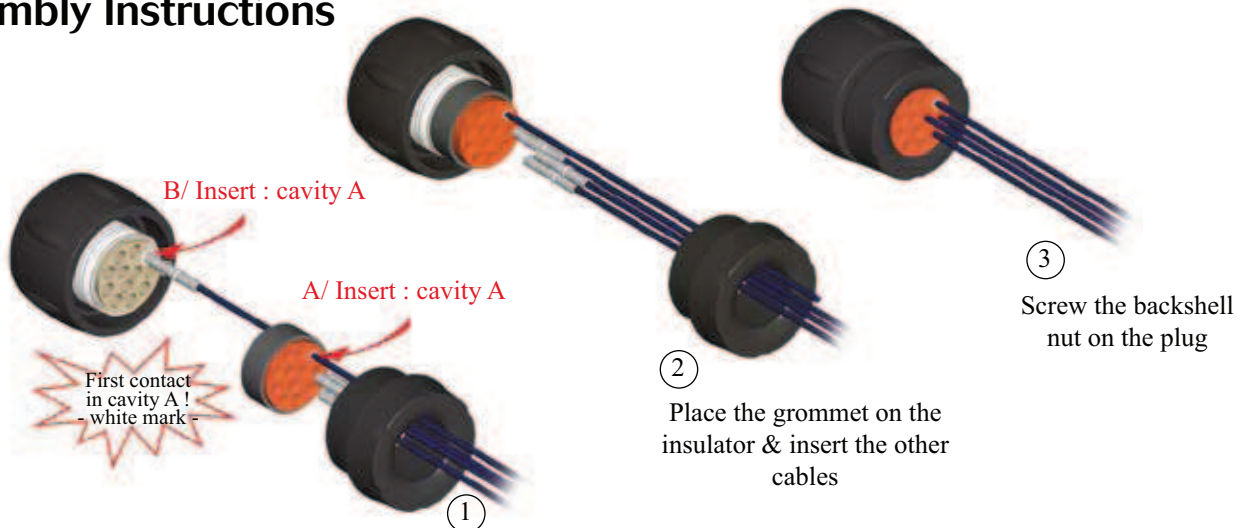
Size 14

7 **12**

Contacts* : Contacts :
7 Ø 1.6 (#16) 12 Ø 1.6 (#16)

All arrangements are available in plug and jam nut versions.

Assembly Instructions



Range presentation

Female plug + Grommet + Backshell

Shell size	Layout	Part numbers Female contact	A	B min.	Ø Cable range Standard seal	Ø Cable range Reducing seal	Hexagon D
10	10-4	UTS6GJC104S	26.2	61.5	2.5/8.0	1.5/5.0	18.5
12	12-8	UTS6GJC128S	29.7	64.5	5.0/12.0	3.0/9.0	24.0
14	14-7 14-12	UTS6GJC147S UTS6GJC1412S	34.6	70.0	7.0/14.0	5.0/12.0	26.0

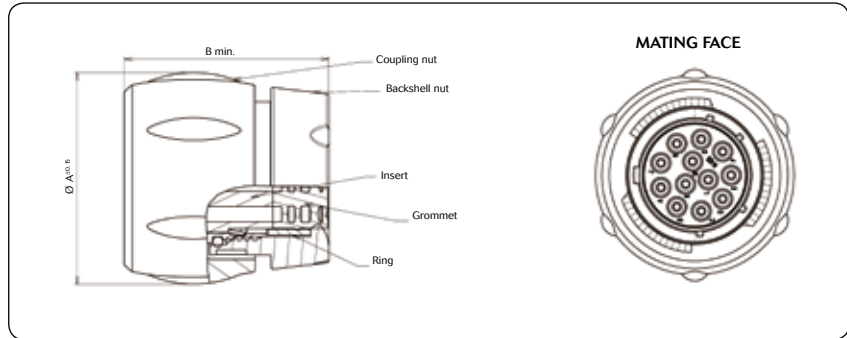
UTS : Your first choice in waterproof connectors !



UTS discrete wire sealing



Female plug + Grommet + Backshell nut

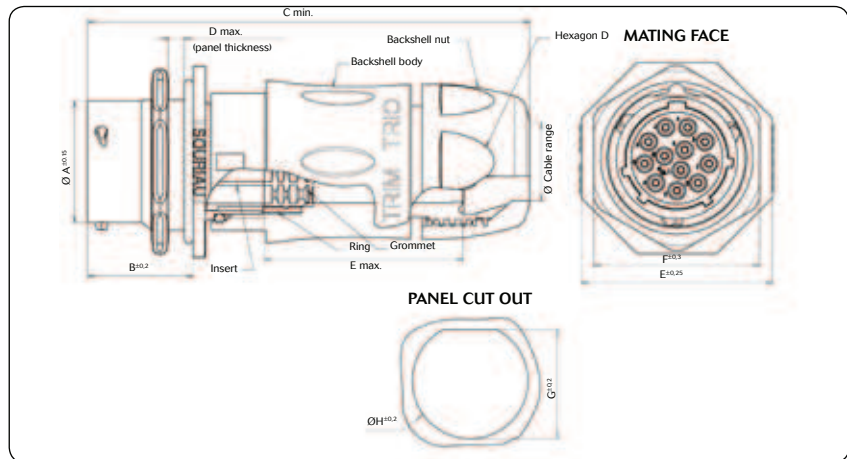


Shell size	Layout	Part numbers Female contact	A	B min.
10	10-4	UTS6GN104S	26.2	.5
12	12-8	UTS6GN128S	29.7	32.3
14	14-7 14-12	UTS6GN147S UTS6GN1412S	34.6	32.0

Coloured ring supplied as optional extra (see page 72).



Male jam nut receptacle + Grommet + Backshell



Shell size	Layout	Part numbers Male contact	Ø A	B	C	D	E±0.25	F	G	Ø H	Ø Cable range Standard seal	Ø Cable range Reducing seal	E
10	10-4	UTS7GJC104P	14.9	19.3	70.5	3.2	27.0	22.2	16.5	17.7	2.5 / 8	1.5 / 5	29.2
12	12-8	UTS7GJC128P	19.0	19.3	74.0	3.2	31.8	27.0	21.2	22.5	5 / 12	3 / 9	32.7
14	14-7 14-12	UTS7GJC147P UTS7GJC1412P	22.2	19.3	80.5	3.2	34.9	30.2	24.3	25.7	7 / 14	5 / 12	36.7


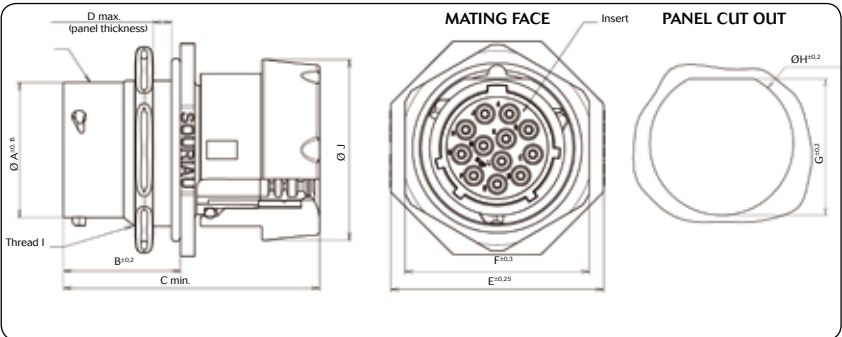
UTS : Your first choice in waterproof connectors !

Note : all dimensions are in mm

UTS discrete wire sealing


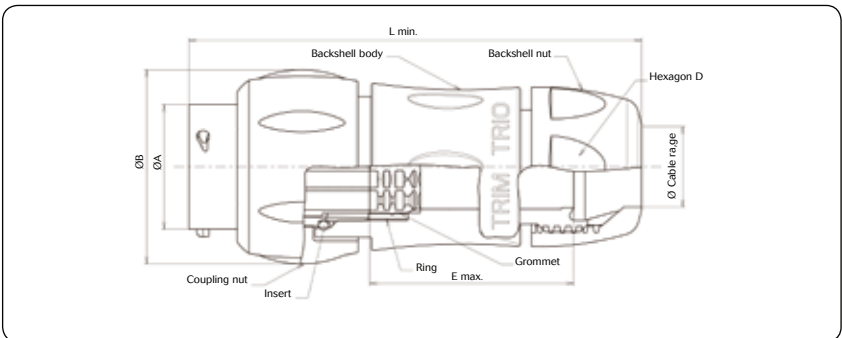


Male jam nut receptacle + Grommet + Backshell nut

Shell size	Layout	Part numbers Male contact	Ø A	B	C	D	E	F	G	Ø H	Ø J
10	10-4	UTS7GN104P	14.9	19.3	41.0	3.2	27.0	22.2	16.5	17.7	22.0
12	12-8	UTS7GN128P	19.0	19.3	40.7	3.2	31.8	27.0	21.2	22.5	25.4
14	14-7 14-12	UTS7GN147P UTS7GN1412P	22.2	19.3	43.0	3.2	34.9	30.2	24.3	25.7	29.8

Male In-line + Grommet + Backshell

Shell size	Layout	Part numbers Male contact	Ø A	Ø B	L	Hexagon D	Ø Cable range Standard seal	Ø Cable range Reducing seal	E
10	10-4	UTS1GJC104P	14.9	26.2	70.7	27.0	2.5 / 8.0	1.5 / 5.0	30.0
12	12-8	UTS1GJC128P	19.0	29.7	74.5	31.8	5.0 / 12.0	3.0 / 9.0	33.5
14	14-7 14-12	UTS1GJC147P UTS1GJC1412P	22.2	34.6	80.5	34.9	7.0 / 14.0	5.0 / 12.0	37.6

Coloured ring supplied as optional extra (see page 72).


UTS : Your first choice in waterproof connectors !

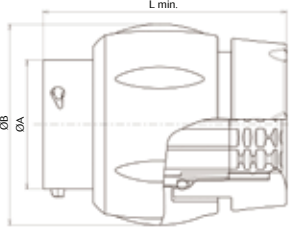
UTS discrete wire sealing



• Rapid
 • Simple
 • High Performance

Male In-line + Grommet + Backshell nut





Shell size	Layout	Part numbers Male contact	Ø A	Ø B	L
10	10-4	UTS1GN104P	14.9	26.2	40.9
12	12-8	UTS1GN128P	19.0	29.7	40.9
14	14-7 14-12	UTS1GN147P UTS1GN1412P	22.2	34.6	43.0

Coloured ring supplied as optional extra (see page 72).

UTS : Your first choice in waterproof connectors !