

## STRADA-T-DN-RE LENSES FOR LUXEON REBEL LEDs

LUXEON



- Specially designed for Luxeon Rebel series of LEDs.
- Wide BATWING design with very uniform light distribution. Planned to be used mixed with Strada-T-DW lenses for optimal streetlight patterns.
- ASYMMETRICAL design with excellent usable efficiency and beam control.
- Efficiently and easily fulfilling different requirements for urban and road lighting when mixed with Strada-T-DW.
- Comes with integrated positioning pins.
- Lens material optical grade PMMA. Allows use of high current and temperature conditions.
- Best available optical efficiency, approximately 92%.
- Fastening to heat sink with or without PU foam adhesive tape of automotive grade, please select which suits the best for your needs.

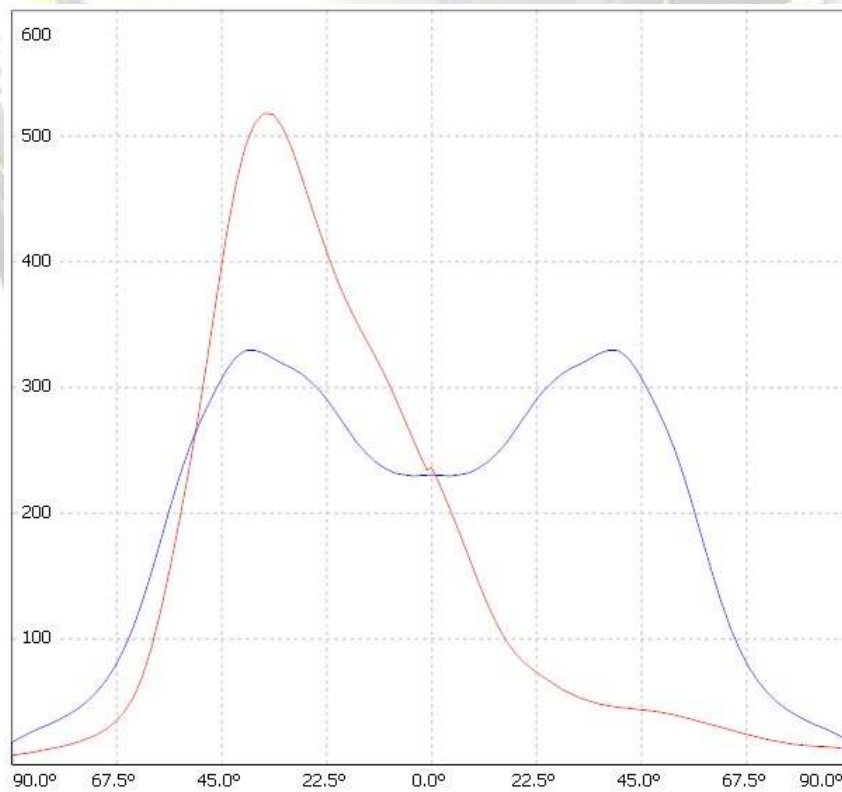
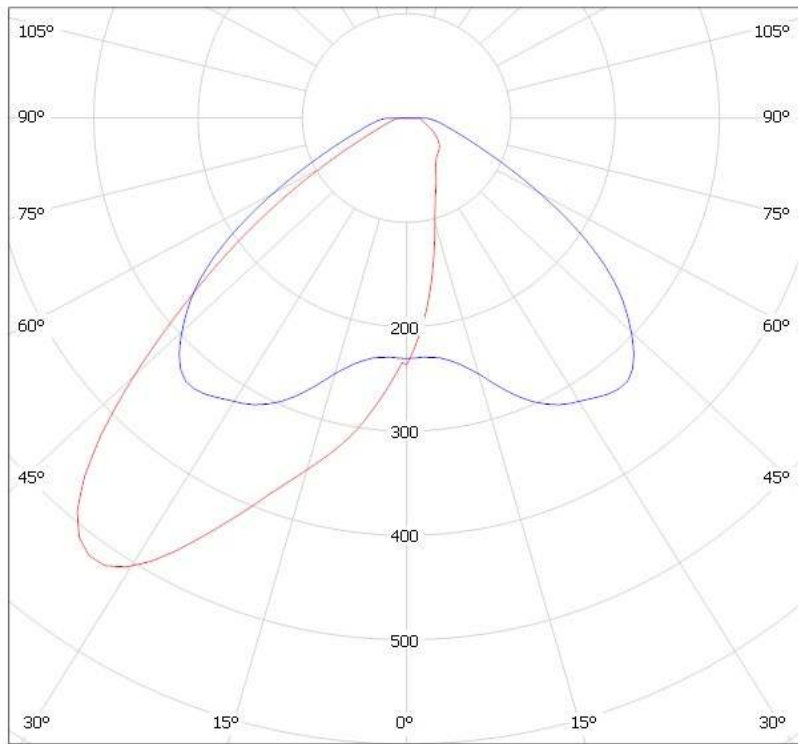
### LENS TYPES

NAME	ORDERING CODE	FWHM Angle
Strada-T-DN-RE	C11415_Strada-T-DN-RE	approx. $\pm 58^\circ$
Strada-T-DN-RE-TAPE	CA11416_Strada-T-DN-RE-tape	approx. $\pm 58^\circ$

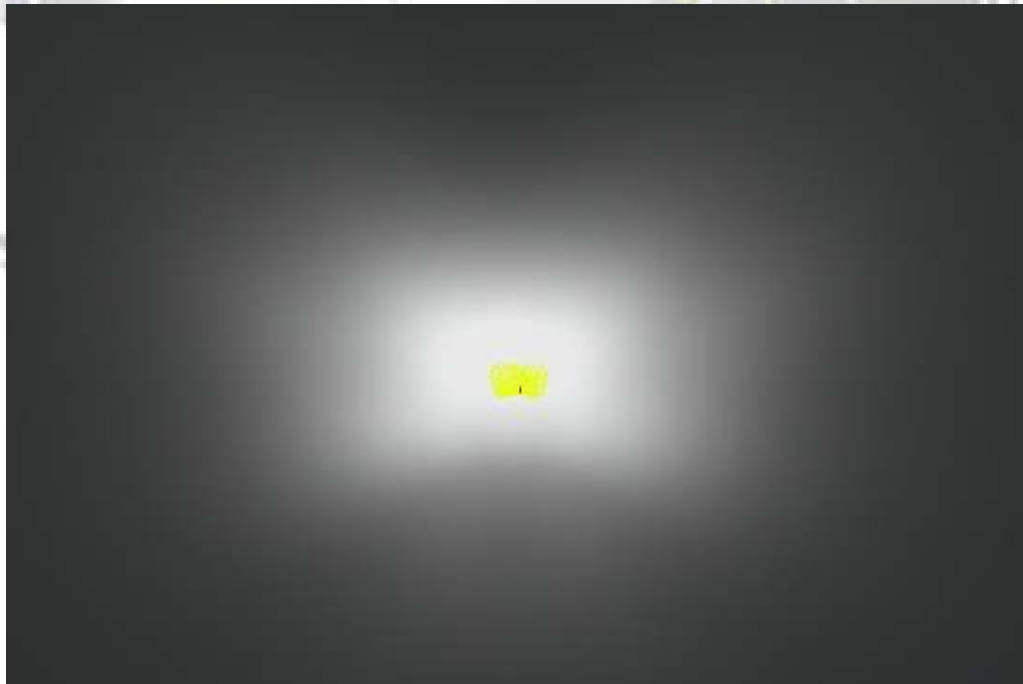
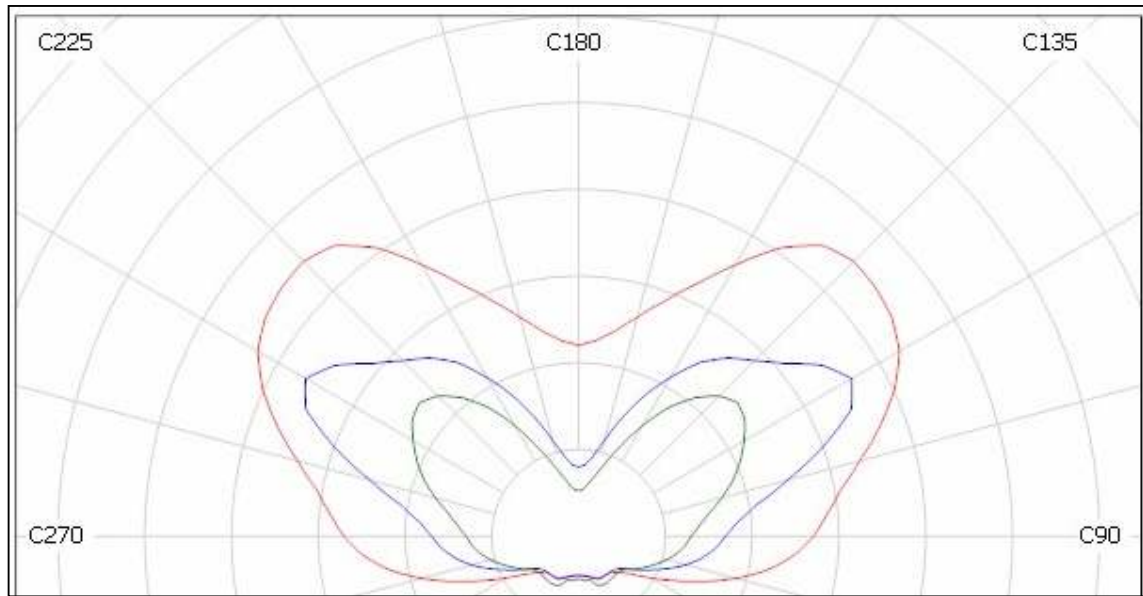
Eulumdat & IES files available by request.

© Ledil Oy – PRELIMINARY - Subject to change without prior notice

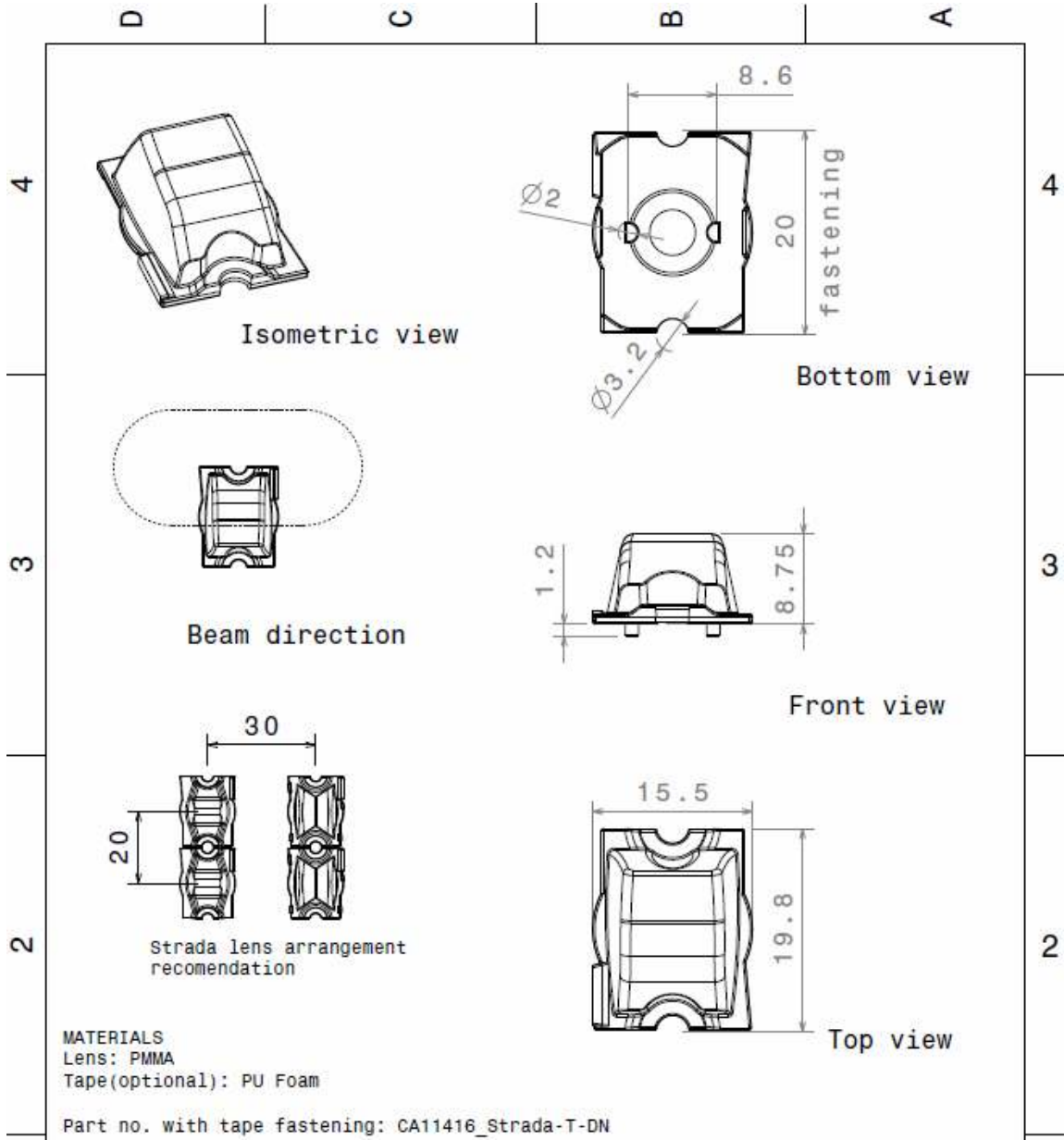
## MEASUREMENT DATA & DRAWING



© Ledil Oy – PRELIMINARY - Subject to change without prior notice



© Ledil Oy – PRELIMINARY - Subject to change without prior notice



This drawing is our property. It can't be reproduced or communicated without our written agreement.



Ledil Oy  
 Tehdaskatu 13  
 FIN-24100 SALO  
 Finland

DRAWN BY o1		DATE 14.05.2010	DRAWING TITLE <b>Datasheet Strada-T-DN Lens</b>		
CHECKED BY pv	DATE 14.05.2010	SIZE A4	DRAWING NUMBER <b>C11415</b>	REV <b>1</b>	
DESIGNED BY hh	DATE 14.05.2010	SCALE 2:1	WEIGHT (g)	SHEET 1/1	

© Ledil Oy - PRELIMINARY - Subject to change without prior notice