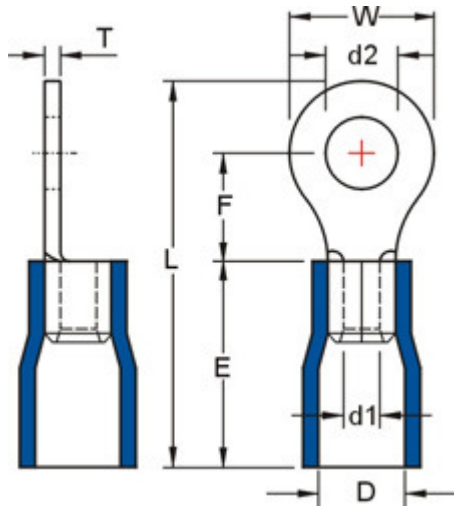


# Crimp Terminal Kit – 500 piece – XT21-500

## Kit Contents:

### Vinyl-Insulated Ring Terminals



#### MAXIMUM ELECTRIC CURRENT:

A.W.G.	22	20	18	16	14	12	10	8	6	4	2
AMP.	9	12	17	18	30	35	50	70	95	125	170

**MAXIMUM ELECTRICAL RATING:** 105°C 600 VOLTS MAX.

**INSULATION MATERIAL:** VINYL

#### INSULATION COLOR:

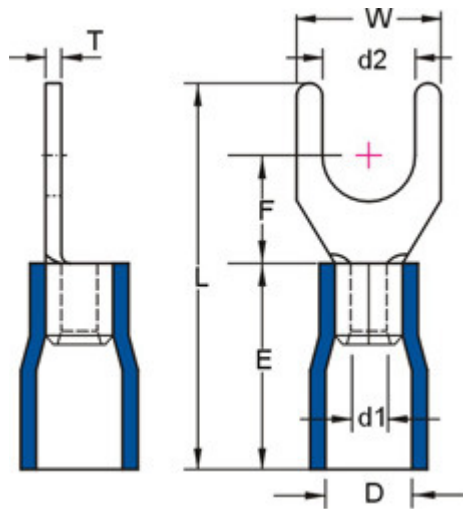
22-16A.W.G.: RED  16-14A.W.G.: BLUE   
 14-12A.W.G.: BLACK  12-10A.W.G.: YELLOW   
 8A.W.G.: RED  6A.W.G.: BLUE   
 4A.W.G.: YELLOW  2A.W.G.: RED

**TERMINAL MATERIAL:** COPPER

**SEAM:** BUTTED

Part No.	Wire Range	Stud Size		Dimensions							QTY
			d2	W	F	L	E	D	d1	T	
RV1-5	22-16 AWG	#10	0.209"	0.315"	0.276"	0.819"	0.394"	0.157"	0.067"	0.03"	25
	0.5-1.5 mm2		5.3mm	8mm	7mm	20.8mm	10mm	4mm	1.7mm	0.75mm	
RVL2-5	16-14 AWG	#10	0.209"	0.374"	0.287"	0.858"	0.394"	0.177"	0.091"	0.031"	25
	1.5-2.5 mm2		5.3mm	9.5mm	7.3mm	21.8mm	10mm	4.5mm	2.3mm	0.8mm	
RV2-6	16-14 AWG	1/4	0.252"	0.472"	0.433"	1.055"	0.394"	0.177"	0.091"	0.031"	25
	1.5-2.5 mm2		6.4mm	12mm	11mm	26.8mm	10mm	4.5mm	2.3mm	0.8mm	
RV5-5	12-10 AWG	#10	0.209"	0.374"	0.327"	1.024"	0.512"	0.252"	0.134"	0.039"	13
	4-6 mm2		5.3mm	9.5mm	8.3mm	26mm	13mm	6.4mm	3.4mm	1mm	
RV5-10	12-10 AWG	3/8	0.413"	0.591"	0.524"	1.339"	0.3512"	0.252"	0.134"	0.039"	12
	4-6 mm2		10.5mm	15mm	13.3mm	34mm	13mm	6.4mm	3.4mm	1mm	

## Vinyl-Insulated Spade Terminals



### MAXIMUM ELECTRIC CURRENT:

A.W.G.	22	20	18	16	14	12	10
AMP.	9	12	17	18	30	35	50

**MAXIMUM ELECTRICAL RATING:** 105°C 600 VOLTS MAX.

**INSULATION MATERIAL:** VINYL

### INSULATION COLOR:

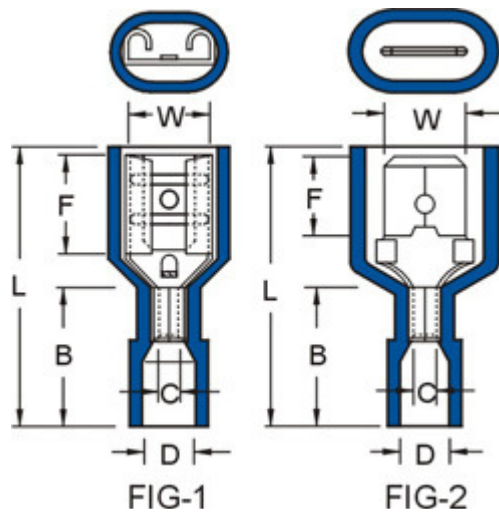
22-16A.W.G.: RED  16-14A.W.G.: BLUE   
 14-12A.W.G.: BLACK  12-10A.W.G.: YELLOW

**TERMINAL MATERIAL:** COPPER

**SEAM:** BUTTED

Part No.	Wire Range	Stud Size		Dimensions							QTY
		#10	d2	W	F	L	E	D	d1	T	
SVL1-5	22-16 AWG	#10	0.209"	0.374"	0.256"	0.827"	0.394"	0.157"	0.067"	0.03"	25
	0.5-1.5 mm <sup>2</sup>		5.3mm	9.5mm	6.5mm	21mm	10mm	4mm	1.7mm	0.75mm	
SVL2-5	16-14 AWG	#10	0.209"	0.366"	0.256"	0.827"	0.394"	0.177"	0.091"	0.31"	25
	1.5-2.5 mm <sup>2</sup>		5.3mm	9.3mm	6.5mm	21mm	10mm	4.5mm	2.3mm	0.8mm	
SV5-5	12-10 AWG	#10	0.209"	0.354"	0.276"	1.004"	0.512"	0.252"	0.134"	0.039"	13
	4-6 mm <sup>2</sup>		5.3mm	9mm	7mm	25.5mm	13mm	6.4mm	3.4mm	1mm	

## Nylon-Fully Insulated Female & Male Disconnectors



### MAXIMUM ELECTRIC CURRENT:

A.W.G.	22	20	18	16	14	12	10
AMP.	3	4	7	10	15	20	24

**MAXIMUM ELECTRICAL RATING:** 105°C 300 VOLTS MAX.

**INSULATION MATERIAL:** NYLON

**INSULATION COLOR:**

22-16A.W.G.: RED  16-14A.W.G.: BLUE

12-10A.W.G.: YELLOW

**TERMINAL MATERIAL:** BRASS

### TERMINAL BARREL I.D:

22-16A.W.G.: C=1.7mm 16-14A.W.G.: C=2.3mm 12-10A.W.G.: C=3.4mm

Part No.	Wire Range	NEMA TAB	Dimension		Figure	QTY
			W	L		
FDN2-250 (Female)	16-14 AWG	0.32 x 0.25"	0.26"	0.866"	1	12
	1.5-2.5mm <sup>2</sup>	0.8 x 6.35mm	6.60mm	22.0mm		
MDFN2-250 (Male)	16-14 AWG	0.32 x 0.25"	0.25"	0.945"	2	13
	1.5-2.5mm <sup>2</sup>	0.8 x 6.35mm	6.35mm	24.0mm		

## Vinyl - Insulated Male & Female Disconnectors

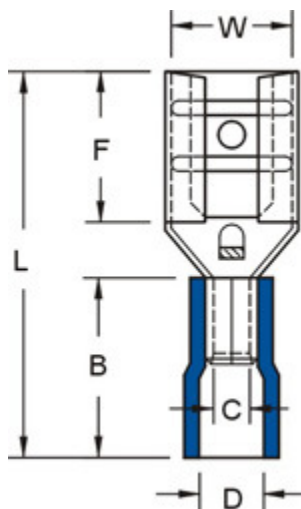


Figure - 1

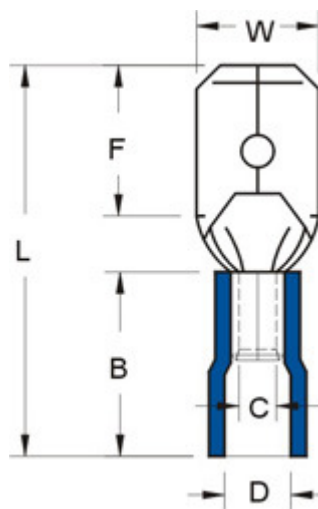


Figure - 2

### MAXIMUM ELECTRIC CURRENT:

A.W.G.	22	20	18	16	14	12	10
AMP.	3	4	7	10	15	20	24

**MAXIMUM ELECTRICAL RATING:** 75°C 300 VOLTS MAX.

**INSULATION MATERIAL:** VINYL

**INSULATION COLOR:**

22-16A.W.G.: RED  16-14A.W.G.: BLUE

12-10A.W.G.: YELLOW

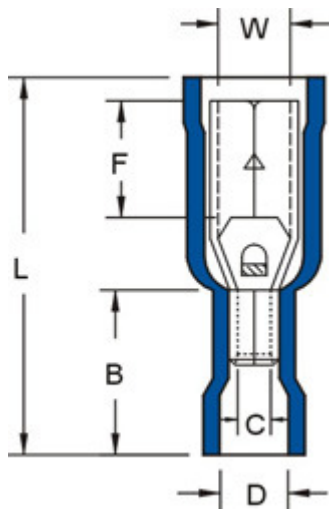
**TERMINAL MATERIAL:** BRASS

**TERMINAL BARREL I.D.:**

22-16A.W.G.: C=1.7mm 16-14A.W.G.: C=2.3mm 12-10A.W.G.: C=3.4mm

Part No.	Wire Range	NEMA TAB	Dimension		Figure	QTY
			W	L		
FDV1-250 (Female)	22-16 AWG	0.32 x 0.25"	0.26"	0.807"	1	25
	0.5-1.5mm <sup>2</sup>	0.8 x 6.35mm	6.60mm	20.5mm		
FDV2-250 (Female)	16-14 AWG	0.32 x 0.25"	0.26"	0.807"	1	25
	1.5-2.5mm <sup>2</sup>	0.8 x 6.35mm	6.60mm	20.5mm		
FDV5-250 (Female)	12-10 AWG	0.32 x 0.25"	0.26"	0.925"	1	12
	4-6mm <sup>2</sup>	0.8 x 6.35mm	6.60mm	23.5mm		
MDV1-250 (Male)	22-16 AWG	0.32 x 0.25"	0.25"	0.827"	2	25
	0.5-1.5mm <sup>2</sup>	0.8 x 6.35mm	6.35mm	21.0mm		
MDV2-250 (Male)	16-14 AWG	0.32 x 0.25"	0.25"	0.827"	2	25
	1.5-2.5mm <sup>2</sup>	0.8 x 6.35mm	6.60mm	21.0mm		
MDV5-250 (Male)	12-10 AWG	0.32 x 0.25"	0.25"	0.925"	2	13
	4-6mm <sup>2</sup>	0.8 x 6.35mm	6.35mm	23.5mm		

## Vinyl – Fully Insulated Receptacle Disconnectors



### MAXIMUM ELECTRIC CURRENT:

A.W.G.	22	20	18	16	14	12	10
AMP.	3	4	7	10	15	20	24

**MAXIMUM ELECTRICAL RATING:** 75°C 600 VOLTS MAX.

**INSULATION MATERIAL:** VINYL

### INSULATION COLOR:

22-16A.W.G.: RED  16-14A.W.G.: BLUE

12-10A.W.G.: YELLOW

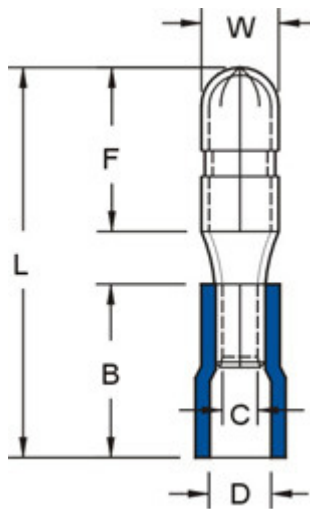
**TERMINAL MATERIAL:** BRASS

### TERMINAL BARREL I.D:

22-16A.W.G. : C=1.7mm 16-14A.W.G. : C=2.3mm 12-10A.W.G. : C=3.4mm

Part No.	Wire Range	Dimension		QTY
		W	L	
FRV2-156	16-14 AWG	0.154"	0.925"	12
	1.5-2.5mm <sup>2</sup>	3.90mm	23.50mm	

## Vinyl - Insulated Bullet Disconnectors



### MAXIMUM ELECTRIC CURRENT:

A.W.G.	22	20	18	16	14	12	10
AMP.	3	4	7	10	15	20	24

**MAXIMUM ELECTRICAL RATING:** 75°C 600 VOLTS MAX.

**INSULATION MATERIAL:** VINYL

### INSULATION COLOR:

22-16A.W.G.: RED  16-14A.W.G.: BLUE

12-10A.W.G.: YELLOW

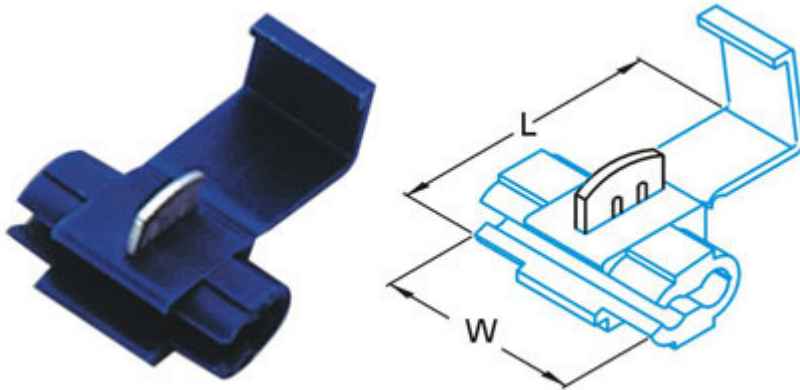
**TERMINAL MATERIAL:** BRASS

### TERMINAL BARREL I.D:

22-16A.W.G.: **C**=1.7mm 16-14A.W.G.: **C**=2.3mm 12-10A.W.G.: **C**=3.4mm

Part No.	Wire Range	Dimension		QTY
		W	L	
MPV2-156	16-14 AWG	0.154"	0.827"	12
	1.5-2.5mm <sup>2</sup>	3.90mm	21.0mm	

## Quick Splice Connectors



**MAXIMUM ELECTRIC CURRENT:**

A.W.G.	22	20	18	16	14	12	10
AMP.	3	4	7	10	15	20	24

**MAXIMUM ELECTRICAL RATING:** 105°C 600 VOLTS MAX.

**INSULATION MATERIAL:** P.P

**INSULATION COLOR:**

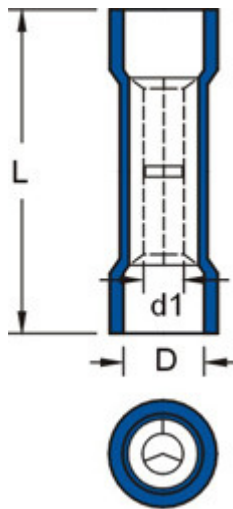
22-18A.W.G.: RED  18-14A.W.G.: BLUE

18-14A.W.G.: 12-10A.W.G.: YELLOW

**TERMINAL MATERIAL:** BRASS

Part No.	Wire Range	Dimension		QTY
		W	L	
878101	18-14 AWG	0.472"	0.772"	8
	0.75-2.5mm <sup>2</sup>	12.0mm	19.6mm	

## Vinyl – Insulated Butt Splice Connectors



### MAXIMUM ELECTRIC CURRENT:

A.W.G.	22	20	18	16	14	12	10
AMP.	3	4	7	10	15	20	24

**MAXIMUM ELECTRICAL RATING:** 75°C 300 VOLTS MAX.

**CONNECTOR MATERIAL:** BRASS

**INSULATION MATERIAL:** VINYL

### INSULATION COLOR:

22-16A.W.G.: RED  16-14A.W.G.: BLUE

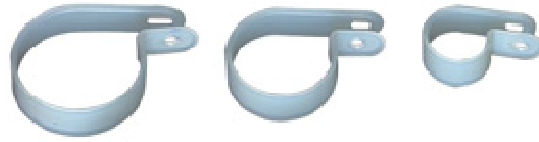
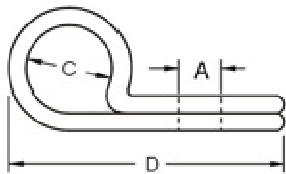
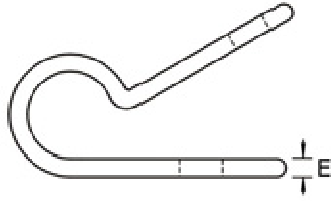
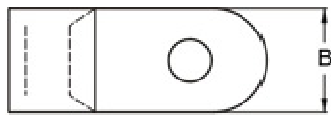
12-10A.W.G.: YELLOW  22-16A.W.G.: RED

16-14A.W.G.: BLUE  12-10A.W.G.: YELLOW

Part No.	Wire Range	Dimension	Material	QTY
		L		
BVS1	22-16 AWG	0.969"	Brass Plate	25
	0.5-1.5mm <sup>2</sup>	24.6mm		
BVS2	16-14 AWG	0.472"	Brass Plate	25
	1.5-2.5mm <sup>2</sup>	0.969"		
BVS5	22-16 AWG	1.043"	Brass Plate	12
	0.5-1.5mm <sup>2</sup>	26.5mm		



## Cable Clamp



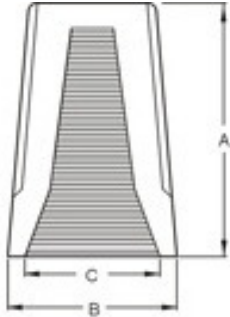
**MAXIMUM SERVER TEMPERATURE:** 85°C

**MATERIAL:** NYLON 66

**FLAMMABILITY RATING:** UL94V-2

Part No.	Dimensions					QTY
	A	B	C	D	E	
HW-1/4	0.181"	0.394"	0.252"	0.866"	0.055"	5
	4.6mm	10.0mm	6.4mm	22.0mm	1.4mm	
HW-3/16	0.181"	0.378"	0.189"	0.780"	0.055"	5
	4.6mm	9.6mm	4.8mm	19.8mm	1.4mm	
HW-1/8	0.181"	0.378"	0.126"	0.685"	0.047"	3
	4.6mm	9.6mm	3.2mm	17.4mm	1.2mm	

## Screw-On Wire Cap Connectors (with Spring Insert)



WITH SPRING INSERT

**TEMPERATURE RATING:** 105°C  
**MAXIMUM ELECTRICAL RATING:** 300 VOLTS  
**APPROVED:** UL CSA

Part No.	Suitable Wire (AWG & No.)	Dimension		QTY
		A	B	
WN1-GREY	Minimum = #20 x 1 + #22 x 1	0.598"	0.339"	4
	Maximum = #16 x 2	15.2mm	8.6mm	
WN2-BLUE	Minimum = #20 x 3	0.693"	0.386"	4
	Maximum = #16 x 3	17.6mm	9.8mm	
WN3-ORANGE	Minimum = #20 x 3	0.866"	0.472"	4
	Maximum = #16 x 3 + #18 x 1	22.0mm	12.0mm	
WN4-YELLOW	Minimum = #14 x 1 + #18 x 1	0.965"	0.551"	3
	Maximum = #14 x 4 + #18 x 1	24.5mm	14.0mm	
WN6-RED	Minimum = #14 x 2	1.079"	0.661"	2
	Maximum = #10 x 2 + #12 x 2	27.4mm	16.8mm	

## Closed End Connectors

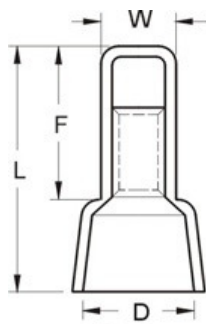


FIG-1  
CE TYPE

### MAXIMUM ELECTRIC CURRENT:

A.W.G.	22	20	18	16	14	12	10	8
AMP.	9	12	17	18	30	35	50	70

**MAXIMUM ELECTRICAL RATING:** 105°C 600 VOLTS MAX.

CE & PB TYPE INSIDE SLEEVE IS COPPER TUBE.

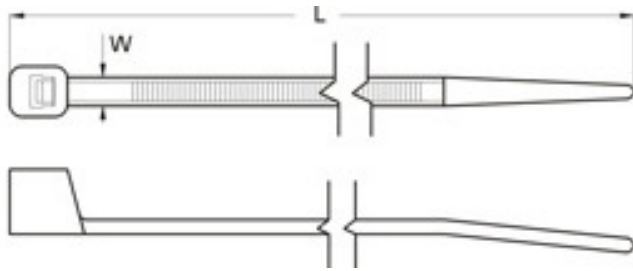
CEF TYPE INSIDE SLEEVE IS STEEL DRAWN.

Part No.	Wire Range	Dimension		QTY
		W	L	
CE2-	16-14 AWG	0.217"	0.827"	25
	1.5-2.5mm <sup>2</sup>	5.5mm	21.0mm	

## Grommets

Part No.	Description	QTY
GR-1/8	Grommet Length 11/32" Width 3/16"	5
GR-3/16	Grommet Length 7/16" Width 7/32"	5
GR-1/4	Grommet Length 9/16" Width 1/4"	5
GR-5/16	Grommet Length 5/8" Width 7/16"	5
GR-3/8	Grommet Length 5/8" Width 1/4"	5

## Nylon Cable Ties



**MAXIMUM SERVER TEMPERATURE:** -40°C ~105°C

**MATERIAL:** NYLON 66

**FLAMMABILITY RATING:** UL94V-2

Part No.	Dimension		Max. Bundle Dia.	Min. Tensile Strength	QTY
	L	W			
K-190S	7.480"	0.18"	2.047"	50 lbs	12
	190mm	4.6mm	52.0mm	22 kg	

## Crimp Tool – HRI-126J – QTY =1



### CRIMPS ALL THE INSULATED TERMINALS

1. 22-16 AWG (1.25mm<sup>2</sup>)
2. 16-14 AWG (2mm<sup>2</sup>)
3. 12-10 AWG (5.5mm<sup>2</sup>)