

tico 772



Multifunctional counter

tico 772

- Universell applicable as tachometer, timer shift-counter, batch-counter ...
- Most simple handling
- 4 different coloured backlight versions
- For the first time the intensity of the backlight is adjustable
- Impressive, clearly readable display in 48x48 mm
- Input frequency up to 60 kHz
- Easy installation due to pluggable terminals
- 3 Presets

TECHNICAL DATA


GENERAL

Display	LCD reflective, Transflective positiv: black figures on back lighted ground Transmissive negativ: white, red or green figures on black ground 2 lines, counter reading/presettings 6-digits; decimal point (up to 4 decimals)
Digit height	1st line 9.3 mm; 2nd line 7.2 mm
View angle	12 o'clock
Supply voltage	SELV: 12-30 VDC; protected against polarity reversal 24 VAC, 50/60 Hz, $\pm 10\%$ / 115 VAC, 230 VAC, 50/60 Hz, $\pm 10\%$
Current consumption	12 ... 30 VDC: < 200 mA, 24 VAC < 250 mA; including sensor supply 115 / 230 VAC < 50 mA; incl. Sensor supply
Power consumption	< 5 W
Duty cycle	100%
Overload protection	external fuse DC: 0,16 AT (IEC 127); DC: 0,2 AT (UL 198) 24 VAC: 315 mAT 230 VAC: 32 mAT; 115 VAC: 63 mAT
Overload protection Relay output	external fuse 230 V, 2,5 mAT
Sensor supply	Only for AC operation: 12-24 VDC load-dependent; max. 50 mA
Storage of values	NV-memory > 10 years
Electrical connections	Plug-in screw-type connections / terminals
Cable cross-section	1...1.5 mm ² with wire-end sleeves
Amplitude threshold	< 2 V and > 8 V or < 1 V and > 4 V at TTL-level amplitude max. 40 VDC
Active edge	programmable, positive for PNP-input, negativ for NPN-input

tico 772

Multifunctional counter

tico 772

Pulse form	any desired form (at max. frequency square 1:1)	
Input resistance	approx. 10 kOhm	
Count frequency	max. 60 kHz (TTL 15 kHz): single-channel counting max. 60 kHz (TTL 15 kHz): Differential counting and totalizing (channel A+B together) max. 30 kHz (TTL 15 kHz): phase discriminator single or double evaluation max. 15 kHz (TTL 15 kHz): phase discriminator, quadruple evaluation damped (attenuated) 30 Hz	
Pulse duration min.	17 ms (30 Hz); 8 µs (60 kHz)	
Prescaler	0,0001 - 99,9999	
Reset	manual reset via keyboard, external reset static or dynamic pulse length min. 5 ms, automatic reset after reaching Preset 2, via application input (programmable) and programmable Power-On Reset	
Set function	Setting to Preset 0 (independent of reset)	
Display and preset range	- 999 999 bis + 999 999	
Alarm signal	Display flashes when preset 0, 1 or 2 are active	
Signal times	0,01 s to 599,99 s or bistable programming; tolerance ± 10 ms; active on or off	
Relay (Preset 1 and 2)	Change-over contact max.: 250 VAC / 30 VDC / 5 A Change-over contact min.: 5 VAC / 5 VDC / 10 mA; delay < 10 ms	
Transistor preset (Preset 1 + 2)	PNP-output	12 - 30 VDC, max. 50 mA for DC supply 12 - 24 VDC, max. 30 mA for AC supply (24/115/230 VAC)
Application output	PNP-output	12 - 30 VDC, max. 20 mA for DC supply 12 - 24 VDC, max. 20 mA for AC supply (24/115/230 VAC)
AC only		Current load of the outputs (Sensor 12-24 VDC, Out1, Out2, Appl.-Outp.) is not allowed to exceed 65 mA in sum.
Counter mode Input A,B	Unidirectional; adding or subtracting; directional input; Differential operation, add / sub; Summation (Totalizing) add/add; Phase discriminator single, double or quadruple evaluation	
Control input	Reset; Gate	
Preselect modes	Absolute or trail, Range signal limit values (sign. 1 < P1, sign. 2 > P 2)	
Application input/output	Output: Preset 0-out, Direction-out, Prescaler out Input: addlt. counter input add / sub, Keylock, Hold, Teach in, Reset, Set, Gate	
Mode	Batch counter with Preset or 2nd totalizer with Preset	

COUNTER

BATCH COUNTER

tico 772

Multifunctional counter

tico 772

SHIFT COUNTER

Counter mode of operation Differential counting add/sub, totalizing add/add

TACHOMETER

Measuring principle	Period (cycle) measurement (1/Tau)	
Time base	1/min or 1/s	
Min. frequency	1 Hz or 0,1 Hz	
Limit values	2 alarms with programmable startup suppression + 1 additional upper limit value on the application output	
Tachometer mode of operation	Unidirectional add oder sub; directional input Differential add / sub; totalizing add / add; Phase discriminator single, double or quadruple evaluation A / B or (A-B) / A %	
Application input / output	Output: Preselect 0-out, Direction-out Input: addtl. counter input add / sub, Keylock, Hold, Teach in	
Accuracy of the tachometer function	Time base:	± 30 ppm
	Measuring principle:	Periodic measurement
	Measuring time:	min. 0,5s / max. 1s or 10s
	Measuring resolution:	0,4µs (<30 ppm)
	Display resolution:	4 decimal places
		1 digit = 100 ppm
Overall tolerance	= Shown resolution + tolerance of timebase = 130 ppm	

TIMER

Measuring principle	Pulse-width or cycle duration measurement Start Inp. A + Stop Inp. B; Start/Stop key	
Time base	Programmable in sec, min, h or hh.mm.ss	
Resolution	1; 0,1; 0,01; 0,001; 0,0001	
Function	Single-pulse or cumulative measurement	
Application input / output	Output: Preset 0-out, Input: addtl. Run, Stop, Reset, Keylock, Hold, Teach in	
Accuracy of the timer	Time base:	± 30 ppm
	Start / Stop-point in time:	16 µs / 16 ms (not damped / damped)
	Resolution:	100 µs = 100 ppm
Overall tolerance	= Shown resolution + tolerance of timebase = 130 ppm	

tico 772

Multifunctional counter

tico 772

ENVIRONMENT. CON. SAFETY RULES

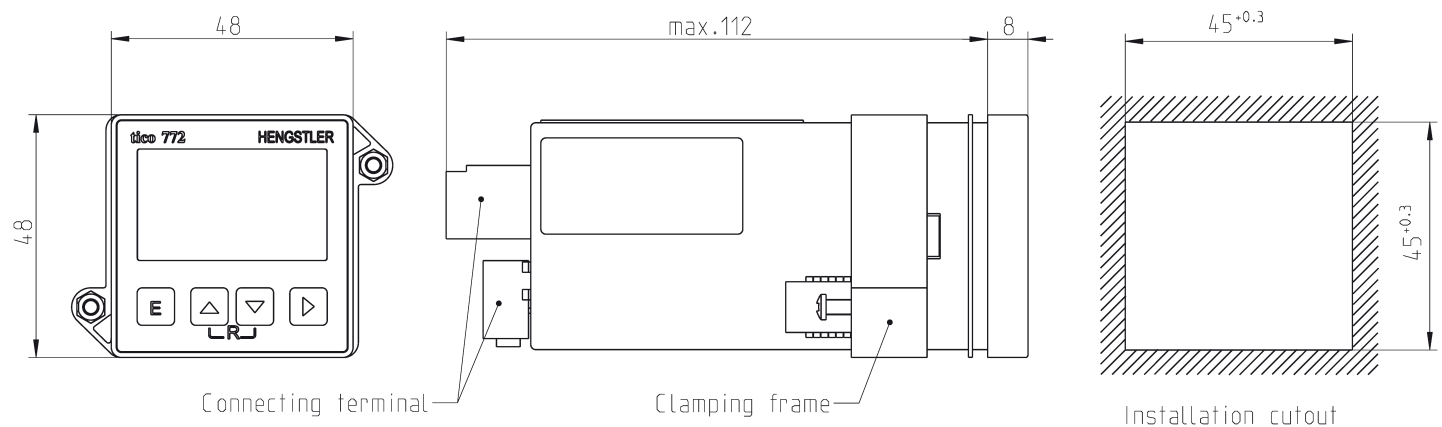
General design	EN 61 010-1 / IEC 61010-1
Protection Class	II; EN 61010-1 / IEC 61010-1
Pollution degree	V 2, EN 50178
EMC - Interference immunity	EN 61326-1 industrial environment**
EMV-Emission	EN 61326-1 Class B**
Ambient temperature	0°... 50°C EN 60 068-2-1/2
Storage temperature	- 20°... + 65°C EN 60 068-2-1/2
Climate	40°C / 93% rel. humidity class 4K4H, EN 60 068-2-78 25 - 50°C / 93% rel. humidity cyclic, EN 60 068-2-38
Degree of protection	IP 65 frontside; EN 60529 IP 20 terminals
Vibration resistance	10 m/s ² (10 ... 150 Hz); IEC 60 068-2-6
Shock resistance	100 m/s ² (18 ms); IEC 60 068-2-27
Resistance to chemicals	Frontfolie acc. to DIN 42 115-2
Approvals	UL, CSA (pending)
RoHS	compliant

MECHANICAL DATA

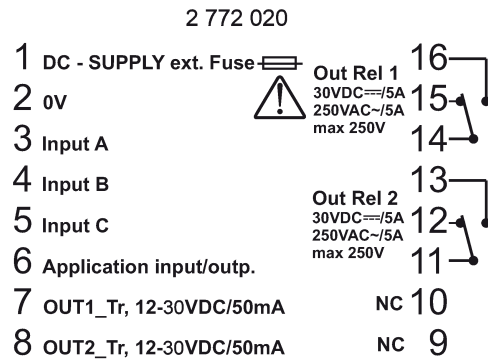
Installation	Front-panel installation with tenter (frame) Front panel thickness max. 11 mm
Dimensions	48 mm x 48 mm x 118 mm, installation depth 110 mm DIN 43700
Front-panel cutout	45 mm x 45 mm + 0,3 mm
Weight	ca. 200 g

** For cable length > 30 m, for connection to DC-supply-network and input level TTL additional protection limit necessary.

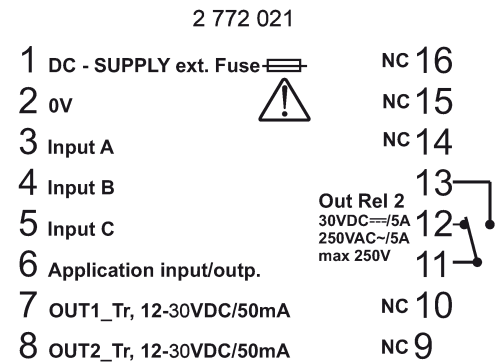
DIMENSIONED DRAWING



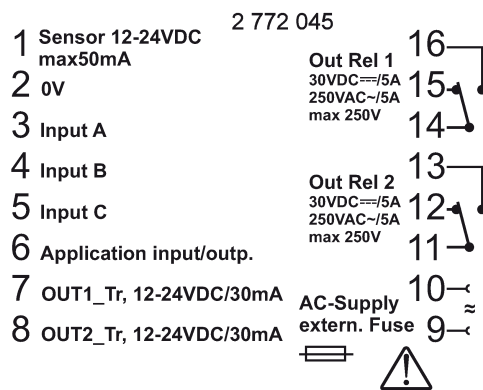
CONNECTIONS



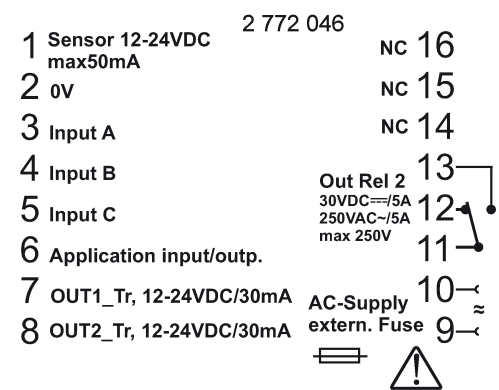
VDC 2 Relay / 2 Transistors



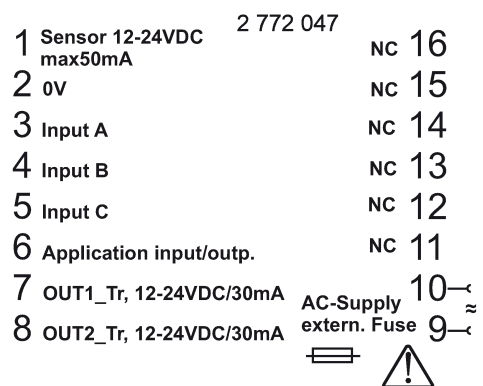
VDC 1 Relay / 2 Transistors



VAC Trafo 2 Relay / 2 Transistors



VAC Trafo 1 Relay / 2 Transistors



VAC Trafo 2 Transistors

ORDER INFORMATION

Display	Relay	12-24 VDC	24 VAC	115 VAC	230 VAC
LCD reflective	1	0 772 101	0 772 111	0 772 121	0 772 131
LCD reflective	2	0 772 102	0 772 112	0 772 122	0 772 132
Transflective positive	1	0 772 201	-	-	-
Transflective positive	2	0 772 202	-	-	-
Transmissive negative	1	0 772 301	-	-	-
Transmissive negative	2	0 772 302	-	-	-
Transmissive red	1	0 772 401	-	-	-
Transmissive red	2	0 772 402	-	-	-
Transmissive green	1	0 772 501	-	-	-
Transmissive green	2	0 772 502	-	-	-

Transflective positiv: black figures on back lighted ground

Transmissive negativ: white figures on black ground

Transmissive red: red figures on black ground

Transmissive green: green figures on black ground