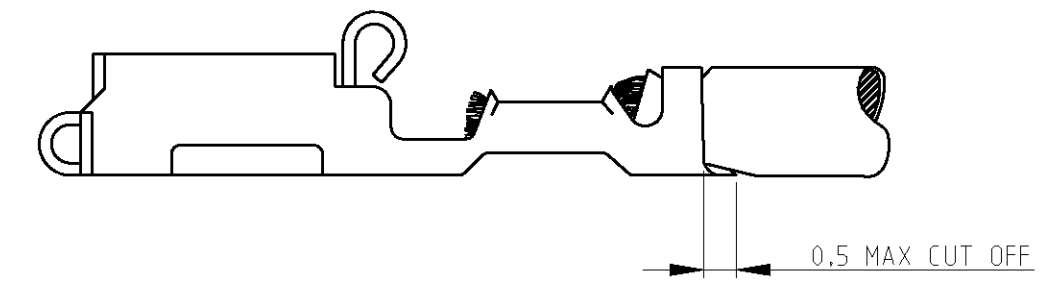
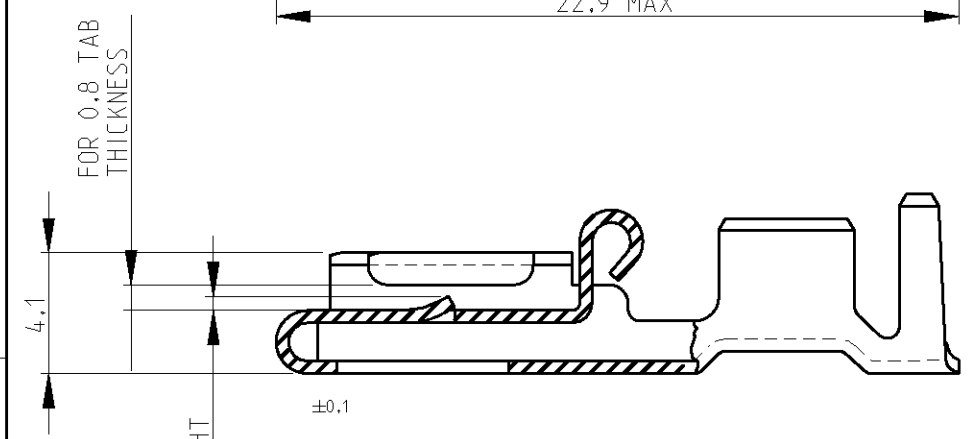
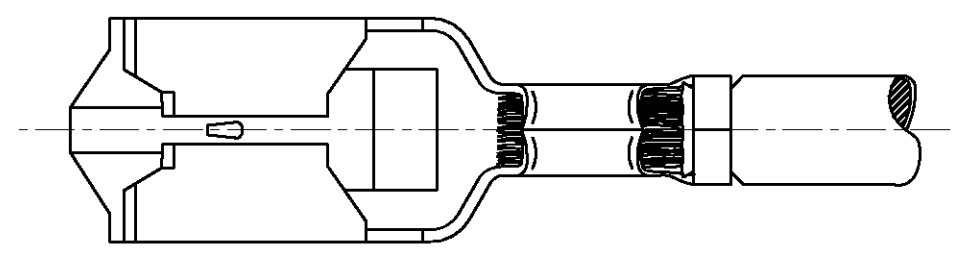
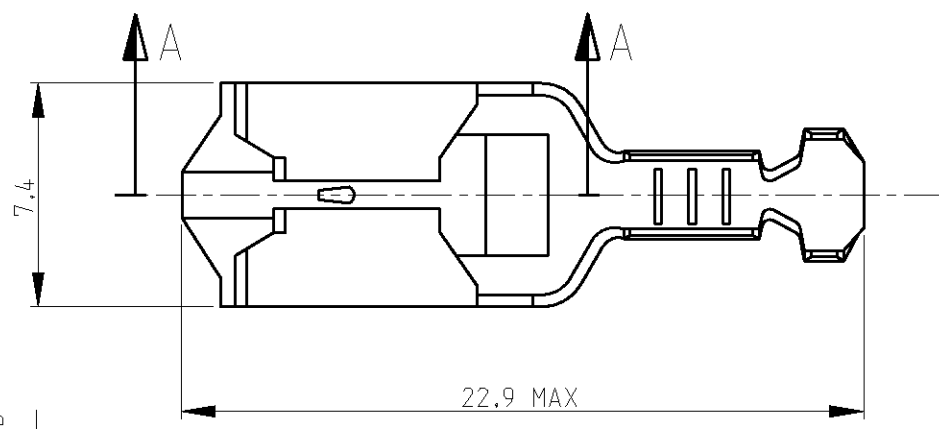


THIS DRAWING IS UNPUBLISHED. RELEASED FOR PUBLICATION
 © COPYRIGHT BY TYCO ELECTRONICS CORPORATION. ALL RIGHTS RESERVED.

LOC	DIST	REVISIONS				
P	LTR	DESCRIPTION	DATE	DWN	APVD	
		D	REVISED PER ES00-0040-02	02APR02	JL	JL
		E	REVISED ES00-0142-02	22OCT2002	JL	JL
		F	REVISED BY ECN 05-0095	12JAN06	J.L	J.L



SECTION A-A

OBSOLETE	STRIP NO.	FINISH	MATERIAL	PARTNUMBER
	2-160759-7	TIN-LEAD	PH.BRONZE	1-160773-1
	2-160759-1	NICKEL PLATED	PH.BRONZE	1-160773-0
	160759-8	HOT DIP PRETIN.	PH.BRONZE	0-160773-7
	160759-7	HOT DIP PRETIN.	BRASS	0-160773-6
	160759-5	PRETINNED	PH.BRONZE	0-160773-5
	160759-4	TIN PLATED	PH.BRONZE	0-160773-4
	160759-3	TIN PLATED	BRASS	0-160773-3
	160759-2	UNPLATED	PH.BRONZE	0-160773-2
	160759-1	UNPLATED	BRASS	0-160773-1

WIRE SIZE	INS. RANGE
0,5-1,5 mm ²	2,3-3,3 mm dia

THIS DRAWING IS A CONTROLLED DOCUMENT FOR TYCO ELECTRONICS CORPORATION IT IS SUBJECT TO CHANGE AND THE CONTROLLING ENGINEERING ORGANIZATION SHOULD BE CONTACTED FOR THE LATEST REVISION.

DIMENSIONS:	TOLERANCES UNLESS OTHERWISE SPECIFIED:	DWN	02APR02	Tyco Electronics AMP España, S.A. Barcelona. Spain.
mm		CHK	02APR02	
	0 PLC ±	APVD	-	NAME POSITIVE LOCK RECEPTACLE MKI LOOSE PIECE
	1 PLC ±	PRODUCT SPEC	-	
	2 PLC ±GENERAL	APPLICATION SPEC	108-3017	SIZE CAGE CODE DRAWING NO RESTRICTED TO A3 00779 C=160773 -
	3 PLC ±TOLERANCE	WEIGHT	114-2153	
	4 PLC ±0.3	CUSTOMER DRAWING	-	SCALE SHEET 1 OF 1 REV F
	ANGLES ±30'	FINISH	see table	
MATERIAL	see table			