

4

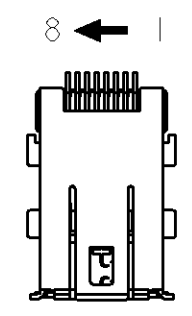
3

2

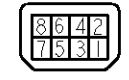
1

THIS DRAWING IS UNPUBLISHED. RELEASED FOR PUBLICATION 20
 © COPYRIGHT 20 BY TYCO ELECTRONICS CORPORATION. ALL RIGHTS RESERVED.

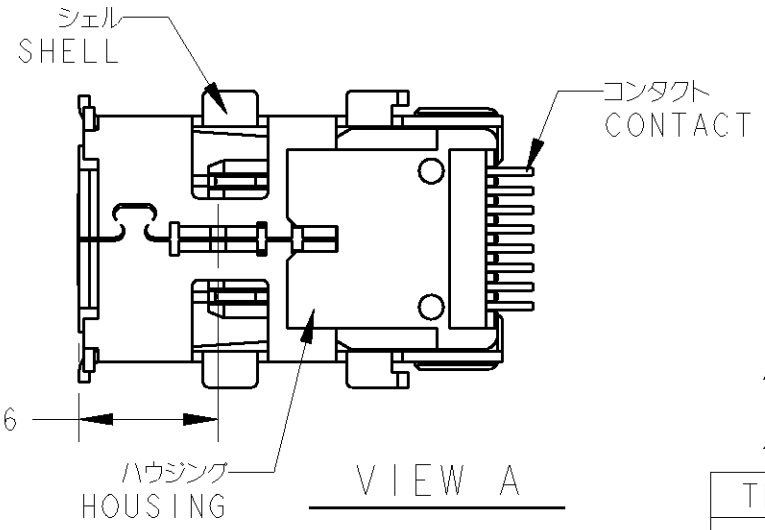
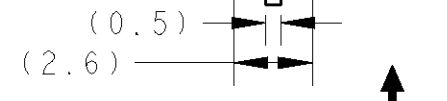
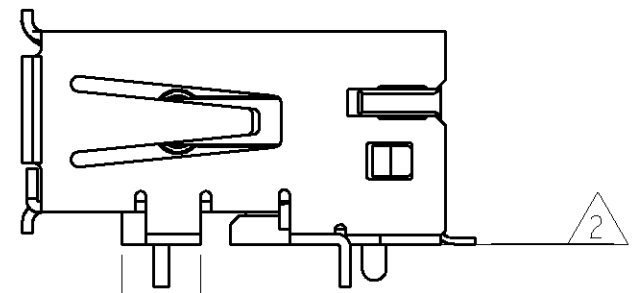
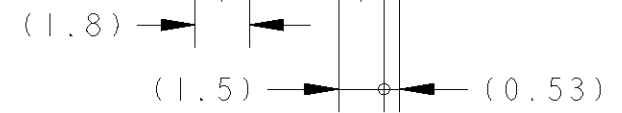
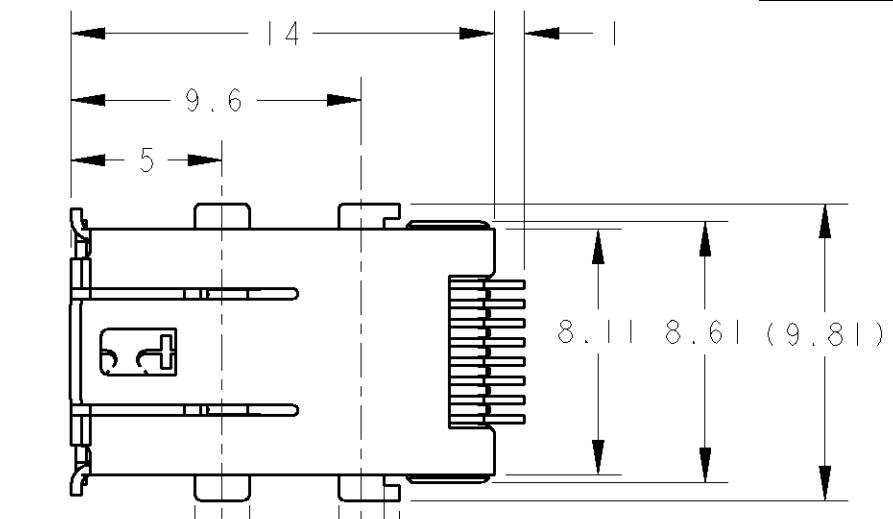
LOC	DIST	REVISIONS					
		P	LTR	DESCRIPTION	DATE	DWN	APVD
-	-	A		RELEASED	13NOV2007	S.I	I.H
-	-	AI		REVISED	30MAY2008	S.I	I.H



D-SHAPE TYPE 2



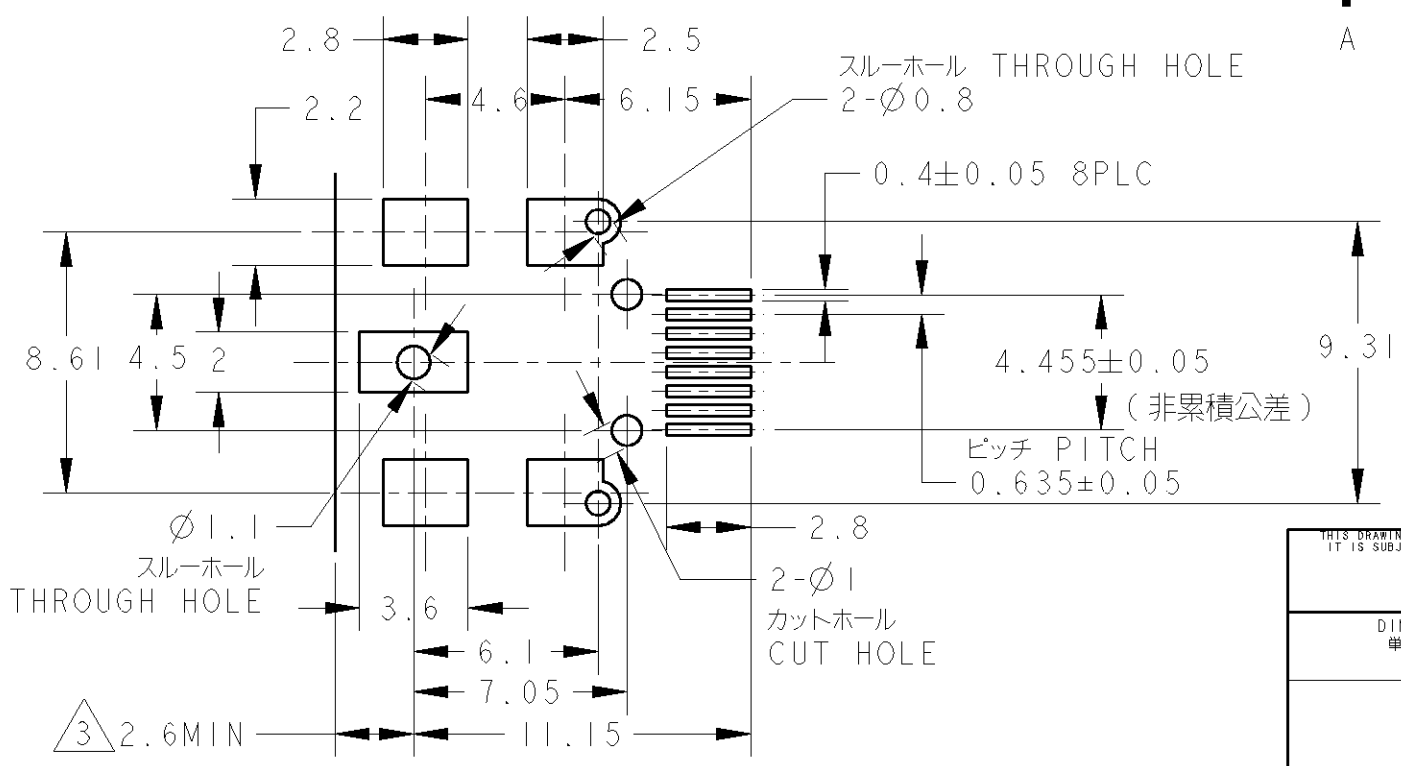
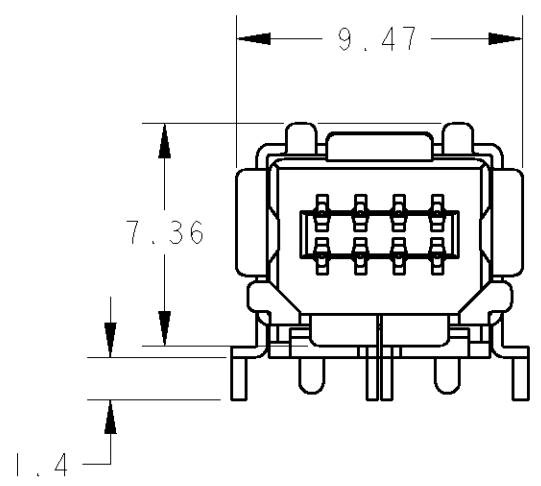
回路番号
CIRCUIT NO.



注記
 ① 材料及び仕上げ
 コントラクト
 材料: 銅合金
 全面Ni 下地めっき 1.27μmMIN
 接点部: Auめっき 0.5μmMIN
 半田付け部: Auフラッシュめっき
 ハウジング
 材料: 熱可塑性樹脂
 難燃性 UL 94V-0
 シェル
 材料: 銅合金
 全面Ni 下地めっき
 全面Snめっき

② SMTリード先端部の平坦度(コプラナリティー): 0.1MAX
 ③ 顧客決定寸法

NOTE
 ① MATERIAL AND FINISH
 CONTACT
 COPPER ALLOY
 UNDER ALL SURFACE Ni 1.27μm MIN
 TOP CONTACT AREA Au 0.5μm MIN
 SOLDERING AREA Au FLASH
 HOUSING
 THERMO PLASTIC(UL94V-0)
 SHELL
 COPPER ALLOY
 UNDER ALL SURFACE Ni
 TOP ALL SURFACE Sn
 ② COPLANARITY 0.1 MAX(TOP OF LEAD)
 ③ DIMENSION DECIDED BY CUSTOMER.



推奨基板寸法(実装面側) ±1.6
 RECOMMENDED BOARD DIMENSION
 (CONNECTOR SIDE) ±1.6

THIS DRAWING IS A CONTROLLED DOCUMENT FOR TYCO ELECTRONICS CORPORATION
 IT IS SUBJECT TO CHANGE AND THE CONTROLLING ENGINEERING ORGANIZATION
 SHOULD BE CONTACTED FOR THE LATEST REVISION.

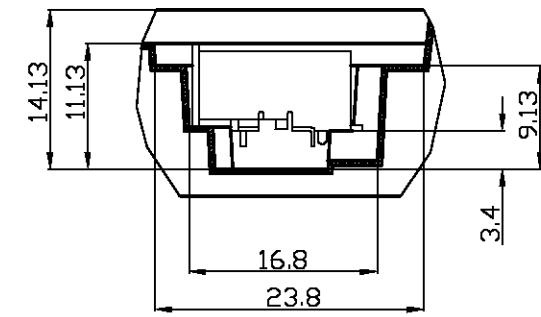
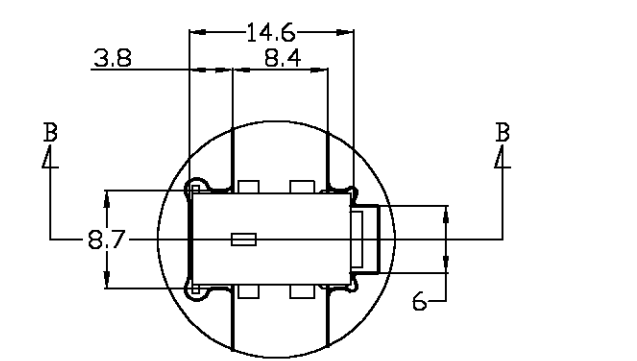
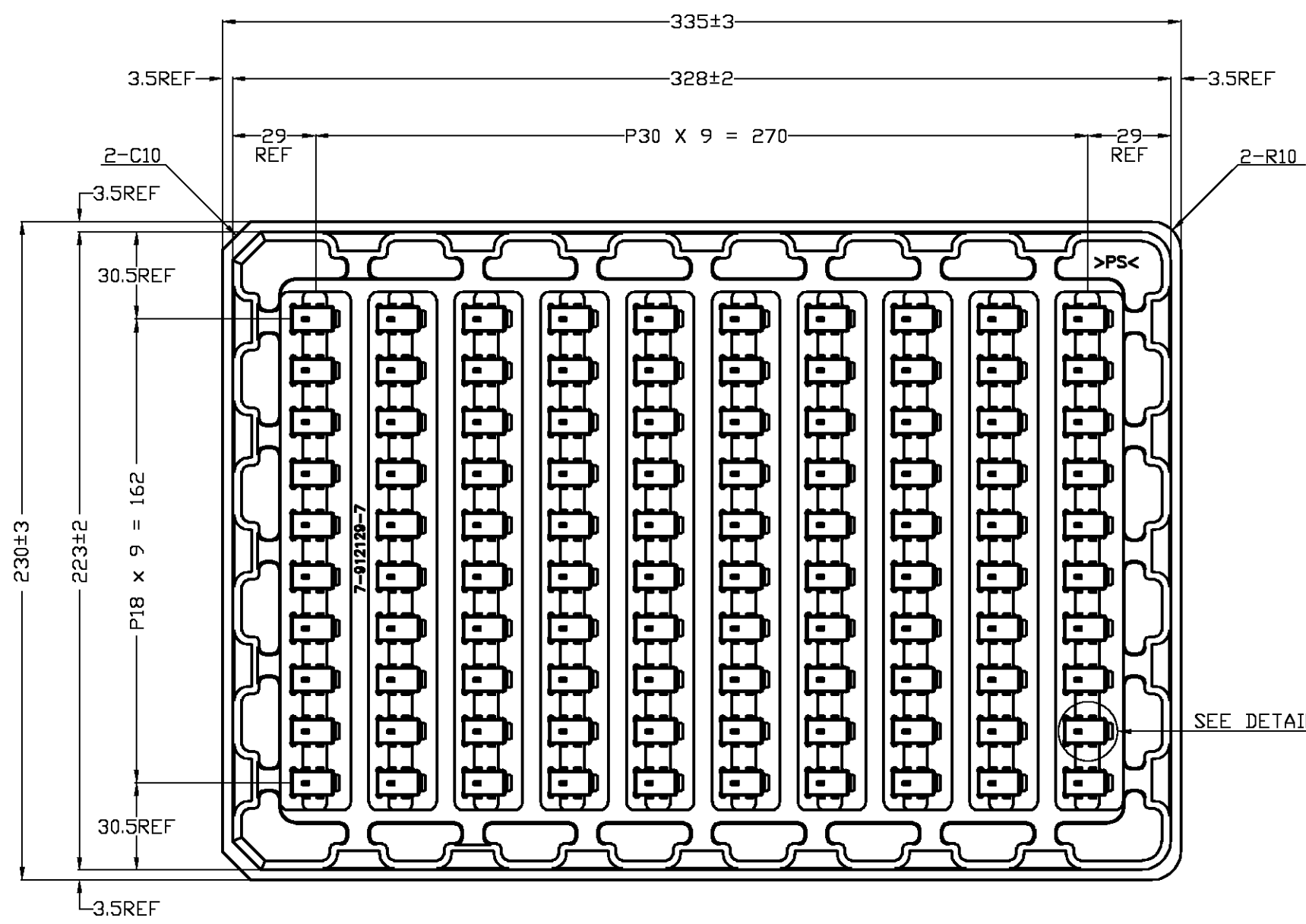
DIMENSIONS: 単位: 概 mm	TOLERANCES UNLESS OTHERWISE SPECIFIED: 一般公差 ±0.2 0-PLC ± 1-PLC ± 2-PLC ± 3-PLC ± 4-PLC ± ANGLES ±	DWN S.I.NOMATA 13NOV2007 CHK I.HASEGAWA 13NOV2007 APVD I.HASEGAWA 13NOV2007 PRODUCT SPEC 108-78405 APPLICATION SPEC 取付適用規格 WEIGHT -
MATERIAL 材料	FINISH 仕上	CUSTOMER DRAWING

TRAY (SEE SHEET 2 OF 2)	1981386-1
PACKAGING STYLE	PART NO.
tyco Tyco Electronics AMP K.K. Electronics Kawasaki, Japan	
NAME 名称 INDUSTRIAL MINI I/O CONN. 1.27MM PITCH 8P HDR ASSY D-SHAPE TYPE 2	
SIZE	RESTRICTED TO
A3	-

DRAWING NO 番号	1981386
SCALE 尺度	4:1
SHEET	1 OF 2
REV	AI

THIS DRAWING IS UNPUBLISHED. RELEASED FOR PUBLICATION
 © COPYRIGHT BY TYCO ELECTRONICS CORPORATION. ALL RIGHTS RESERVED.

LOC	DIST	REVISIONS					
		P	LTR	DESCRIPTION	DATE	DWN	APVD
-	-	-	-	SEE SHEET 1	-	-	-



-1: 本図
1: AS SHOWN

注記
 △トレー材質: ポリスチレン
 5 製品入り数: 100 / 1トレー

NOTE
 △TRAY MATERIAL: POLYSTYRENE
 5 PRODUCT QUANTITY: 100 / 1TRAY

THIS DRAWING IS A CONTROLLED DOCUMENT.		DWN SEE SHEET 1	Tyco Electronics Corporation Kawasaki, Japan	
DIMENSIONS: 単位: 耗 mm		CHK SEE SHEET 1	NAME 名称 INDUSTRIAL MINI I/O CONN. 1.27MM PITCH 8P HDR ASSY D-SHAPE TYPE 2	
TOLERANCES UNLESS OTHERWISE SPECIFIED: 一般公差 ±0.5		APVD SEE SHEET 1	SIZE A3	CAGE CODE -
0-PLG ± 1-PLG ± 2-PLG ± 3-PLG ± 4-PLG ± ANGLES ±		PRODUCT SPEC 製品規格 SEE SHEET 1	DRAWING NO 番号 1981386	RESTRICTED TO -
MATERIAL 材料 △		FINISH 仕上 -	APPLICATION SPEC 取付適用規格 -	SCALE 尺度 NONE
		WEIGHT -	SHEET 2 OF 2	
		CUSTOMER DRAWING		REV A1