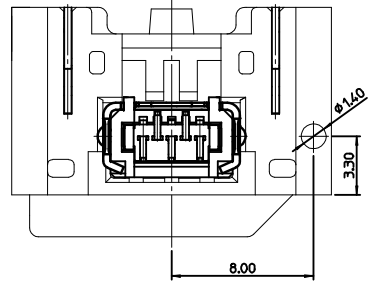
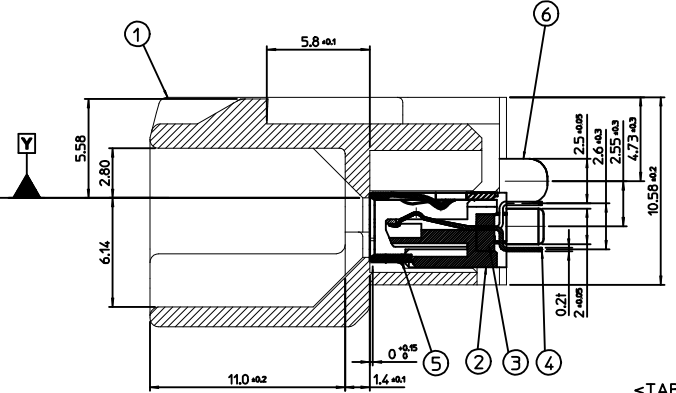
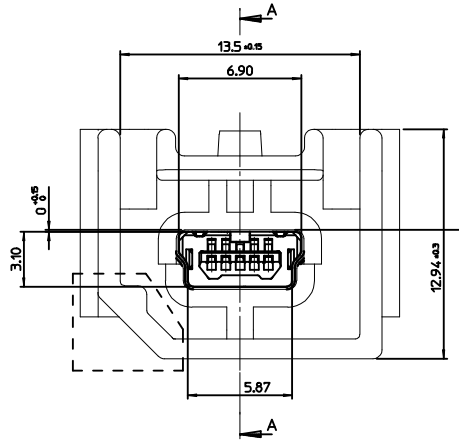
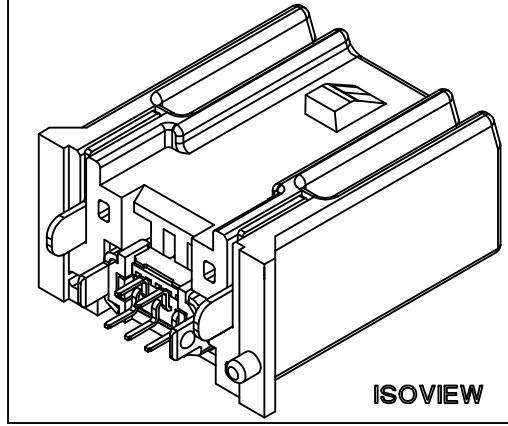


**(CONNECTOR MOUNTING AND REVERSE SIDE)**  
**RECOMMENDED PCB LAYOUT**



<TABLE 1>

MATERIAL NO.	ORDER NO.	COLOR
1040040501	104004-0501	BLACK

- NOTE
- MATES WITH :  
(MOLEX SERIES NO. - 111014, 111015, 111005, 111041, 111019, 111020)
  - SHROUD GEOMETRY AND ASSEMBLY WITH USB MINI-B CONNECTOR ARE ACCORDING TO USCAR STD 999-U-USB-Z01
  - FINISHES
    - TERMINAL :  
CONTACT AREA : Au 0.75µm MIN.  
SOLDER TAIL AREA : TIN 1.0µm MIN.  
UNDER PLATING : NI 1.0µm MIN.
    - SHIELD CASE :  
3.0µm MIN. TIN OVER NI 1.0µm MIN.
    - FITTING NAIL :  
3.0µm MIN. TIN OVER NI 1.0µm MIN.
  - UNLESS OTHERWISE SPECIFIED, TYPICAL RECOMMENDED PCB MANUFACTURING TOLERANCE IS ±0.05
  - PACKAGING IS TRAY :  
(48 PCS/TRAY, 5 TRAY/TRAY BOX, 240 PCS/TRAY BOX, 960 PCS/CARTON BOX)
  - PRODUCT SPECIFICATION : PS-49616-001
  - PACKAGING INFORMATION : PK-104004-001
  - PCB THICKNESS : 1.6mm(REFERENCE)

<PARTS LIST>

NO.	PART NAME	MATERIAL
1	SHROUD-A	LCP, GLASS FILLED, UL94 V-0
2	RECEPTACLE HOUSING	LCP, GLASS FILLED, UL94 V-0
3	CONTACT HOUSING	LCP, GLASS FILLED, UL94 V-0
4	CONTACT TERMINAL	COPPER ALLOY
5	SHIELD CASE	PHOSPHOR BRONZE
6	BOARD LOCKS PIN	BRASS

NEW RELEASED  
EC NO: KOR2009-0147  
DRWNS:MKIM 2009/06/18  
CHKD:BCYOON 2009/06/18  
APPR: YUNSJKIM 2009/06/18

QUALITY SYMBOLS	GENERAL TOLERANCES (UNLESS SPECIFIED)	
	mm	INCH
▽=0	4 PLACES ±---	±---
▽=0	3 PLACES ±0	±---
	2 PLACES ±0.15	±---
	1 PLACE ±0.25	±---
	ANGULAR ± 1°	
	DRAFT WHERE APPLICABLE MUST REMAIN WITHIN DIMENSIONS	

DIMENSION STYLE		SCALE	DESIGN UNITS	THIRD ANGLE PROJECTION
MM ONLY		5:1	METRIC	☉
DRAWN BY	DATE	TITLE		
S.M.KIM	2009/06/17	USCAR MINI B CONN VERTICAL A		
CHECKED BY	DATE	MOLEX INCORPORATED		
B.C.YOON	2009/06/17	DOCUMENT NO.		
APPROVED BY	DATE	SD-104004-001		
E.H.JUNG	2009/06/17	SHEET NO.		
MATERIAL NO.	SEE TABLE1	1 OF 1		

SIZE A THIS DRAWING CONTAINS INFORMATION THAT IS PROPRIETARY TO MOLEX INCORPORATED AND SHOULD NOT BE USED WITHOUT WRITTEN PERMISSION