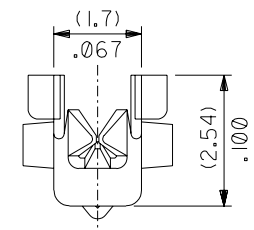
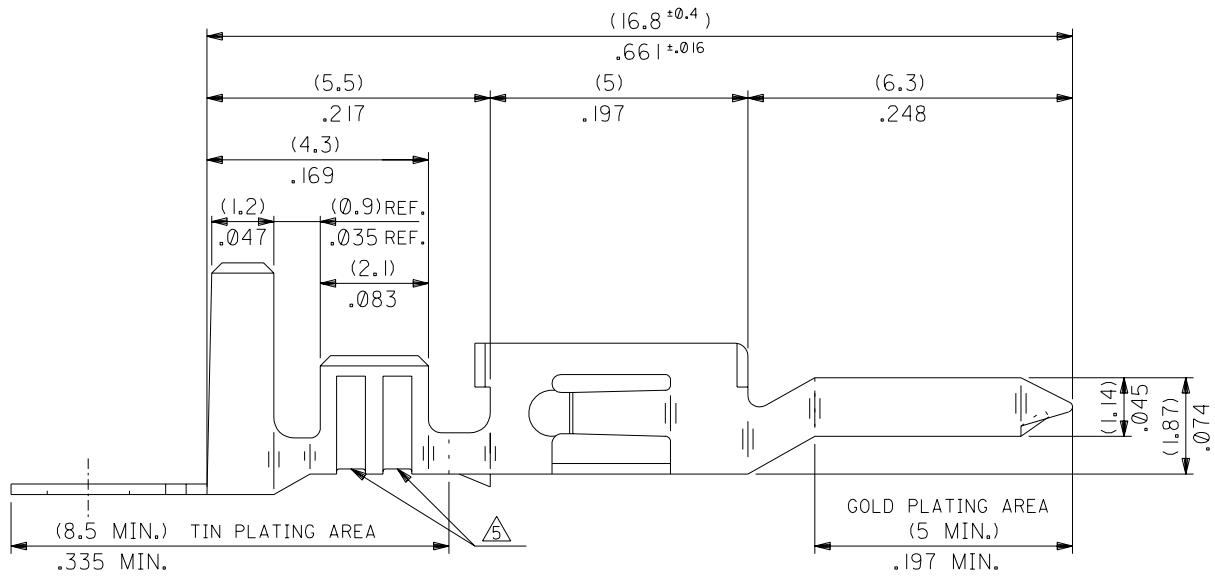
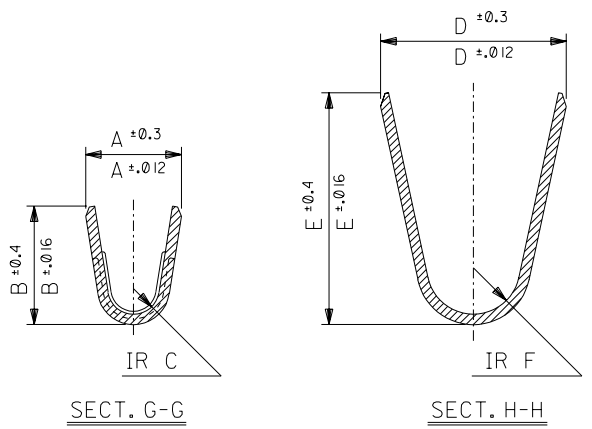


- NOTES
1. APPLICABLE HOUSING : 5559 SERIES
  2. MATES WITH TERMINAL : 5556 SERIES
  3. (METRIC) VALUES SHOWN GOVERN OVER ENGLISH CONVERSION VALUES.
  4. GENERAL TOLERANCES OF ENGLISH CONVERSION VALUES : ±.008 INCH
- △ THE NUMBER OF SERRATIONS TO BE ONE FOR WIRE RANGE #22-28.



		材料 MATERIAL		SEE SHEET 2 OF 2	molex MOLEX-JAPAN CO.,LTD. 日本モレックス株式会社	
		仕上げ FINISH		SEE SHEET 2 OF 2	EDP. NO. SEE SHEET 2 OF 2	
		適用電線範囲 WIRE RANGE		SEE SHEET 2 OF 2	ENG. NO. SHEET 1 OF 2 SD-5558**GS**	
		被覆外径 INS. RANGE		SEE SHEET 2 OF 2	REV D	
角度 ANGLE	±3°	D	REVISD (J2004-3266)	Y.S. K.T.	04/4/8	
30 以上 OVER	+0.3	C	REVISD (J10381)	H.H.	9/16/25	
10 以上 OVER 30 未満 UNDER	+0.25	B	REVISD & REDRAWN (J10202)	H.H.	9/14/27	
10 未満 UNDER	+0.2		変更内容 REVISION RECORD	DR. CHK.	日付 DATE	
一般公差 GENERAL TOLERANCES		REVISE ONLY ON CAD SYSTEM				
		DRAWN BY '91/3/13 H.HIRAMOTO		CHK'D BY '92/05/21 M.FUKUSHIMA		TITLE 名称 NEW MINI. FIT CONN. CRIMP PIN -LEAD FREE-
		APP'D BY '92/05/21 M.ENOMOTO		尺度 SCALE 10 - 1		

SEE CHART

	(0.9)	(4.5)	(3.6)	(0.6)	(2.7)	(2.3)					
	.035	.177	.142	.024	.106	.091	# 16	39-00	5558	LOOSE	
								▲	▲	CHAIN	
	(0.5)	(2.3)	(2.3)	(0.4)	(1.65)	(1.8)	#22-28			LOOSE	
	.024	.091	.091	.016	.065	.071				CHAIN	
	(0.9)	(4.5)	(3.6)	(0.5)	(2.3)	(1.9)	# 18-24			LOOSE	
	.035	.177	.142	.020	.091	.075				CHAIN	
	(0.9)	(4.5)	(3.6)	(0.6)	(2.7)	(2.3)	# 16			LOOSE	
	.035	.177	.142	.024	.106	.091				CHAIN	
	(0.6)	(2.3)	(2.3)	(0.4)	(1.65)	(1.8)	#22-28			LOOSE	
	.024	.091	.091	.016	.065	.071				CHAIN	
	(0.9)	(4.5)	(3.6)	(0.5)	(2.3)	(1.9)	# 18-24			LOOSE	
	.035	.177	.142	.020	.091	.075				CHAIN	
	(0.9)	(4.5)	(3.6)	(0.6)	(2.7)	(2.3)	Ø .12 - MAX. # 16			LOOSE	
	.035	.177	.142	.024	.106	.091				CHAIN	
	(0.6)	(2.3)	(2.3)	(0.4)	(1.65)	(1.8)	Ø .09 - 1.8 #22-28			LOOSE	
	.024	.091	.091	.016	.065	.071	Ø .035 - .071			CHAIN	
	(0.9)	(4.5)	(3.6)	(0.5)	(2.3)	(1.9)	Ø .3 - 3.1 # 18-24			LOOSE	
	.035	.177	.142	.020	.091	.075	Ø .05 - .122			CHAIN	
	(0.9)	(4.5)	(3.6)	(0.6)	(2.7)	(2.3)	Ø .31 - MAX. # 16			LOOSE	
	.035	.177	.142	.024	.106	.091	Ø .122			CHAIN	
	(0.6)	(2.3)	(2.3)	(0.4)	(1.65)	(1.8)	Ø .09 - 1.8 #22-28			LOOSE	
	.024	.091	.091	.016	.065	.071	Ø .035 - .071			CHAIN	
	(0.9)	(4.5)	(3.6)	(0.5)	(2.3)	(1.9)	Ø .3 - 3.1 # 18-24			LOOSE	
	.035	.177	.142	.020	.091	.075	Ø .05 - .122			CHAIN	
								▼	▼		
								39-00	5558		
	F	E	D	C	B	A	INS. RANGE	WIRE RANGE	EDP NO.	FORM	

SEE CHART

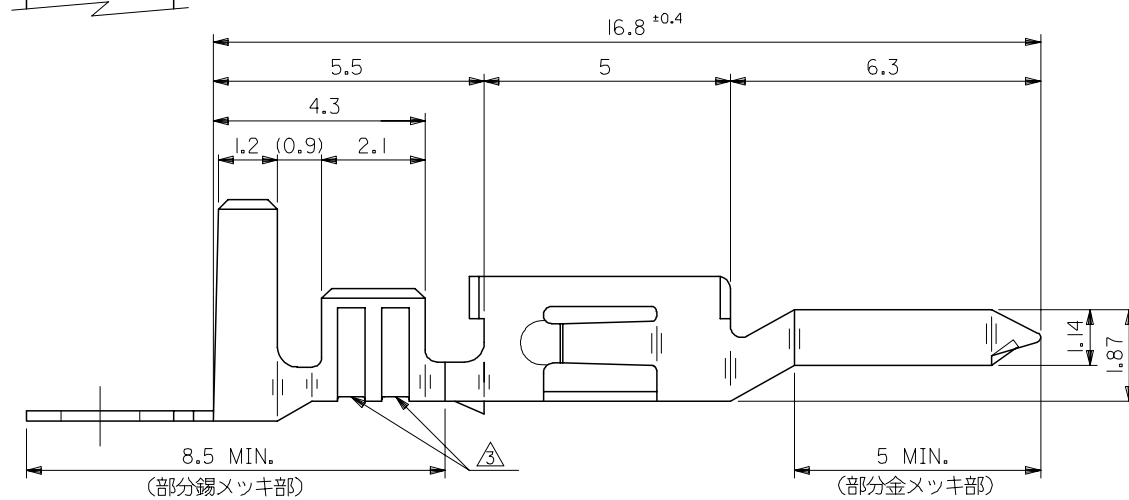
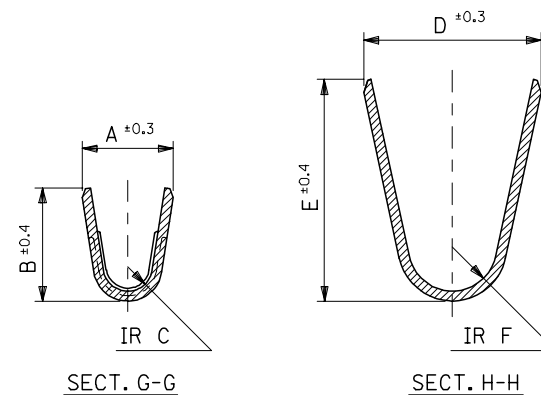
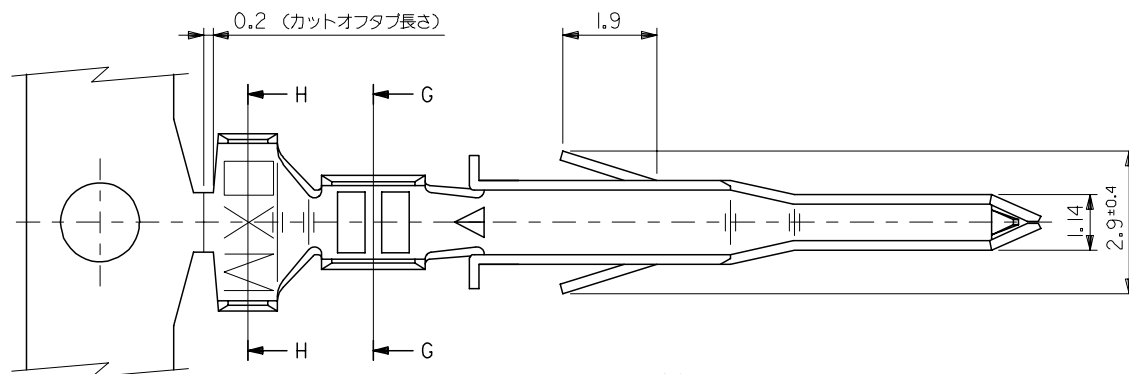
SEE CHART

SEE CHART

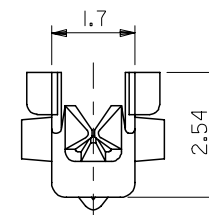
SEE CHART  
SHEET 2 OF 2

SEE SHEET 1 OF 2 H.H

NEW MINI. FIT CONN.




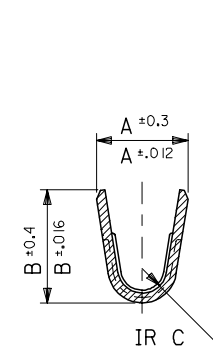
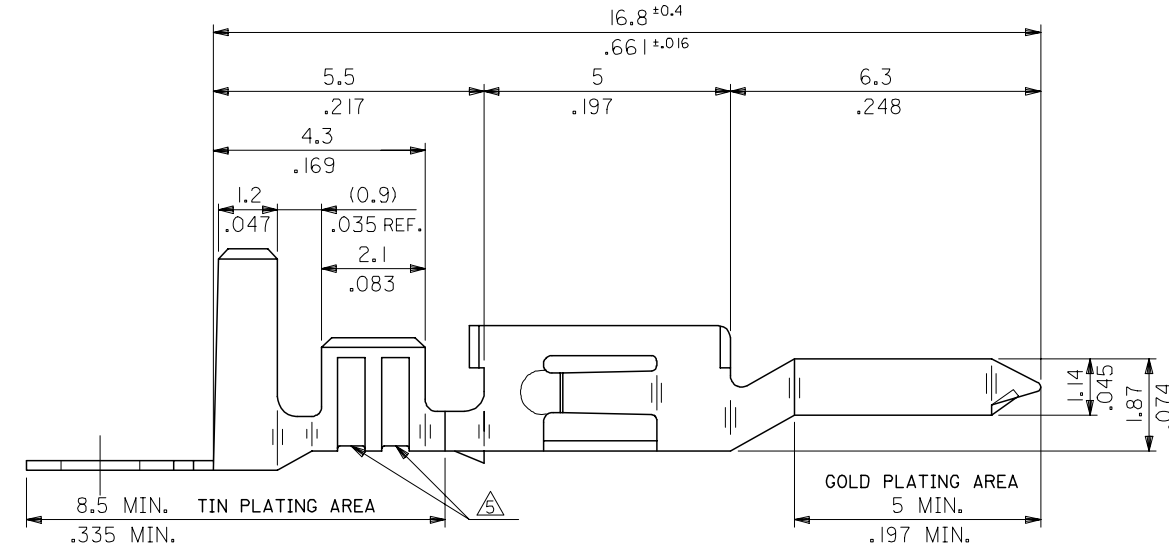
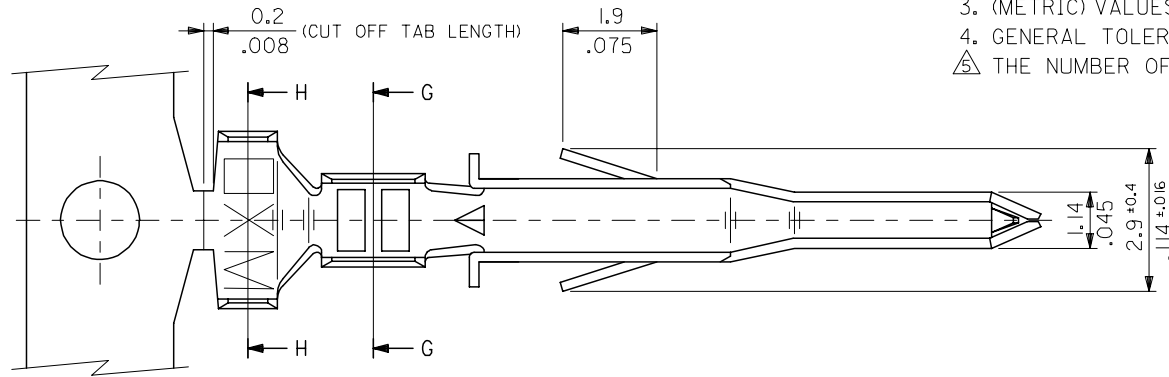
- NOTES**
1. 適合ハウジング : 5559 シリーズ
  2. 嵌合相手 : 5556 シリーズ
  - △ 適用電線が# 22-28 の製品のセレーション数は 1 とする。
  4. 本製品は 5558GS\*\* の鉛フリー品である。



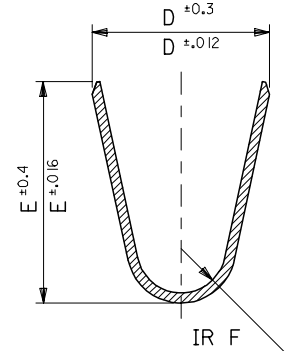
部分金メッキ : 0.76 μm MIN. 部分錫メッキ : 2 μm MIN. ニッケルメッキ (下地) : 1.27 μm MIN.	0.6	2.3	2.3	0.4	1.65	1.8	∅ 0.9-1.8	#22-28	39-00-0433	5558 GS2L7F	バラ状
									↑ -0432	↑ GS27F	連鎖状
	0.9	4.5	3.6	0.5	2.3	1.9	∅ 1.3-3.1	#18-24	↓ -0431	↓ GSL7F	バラ状
メッキ	F	E	D	C	B	A	被覆外径	適用電線	39-00-0430	5558 GS7F	連鎖状
									EDP NO.	5558GS****	端子形状
									39-00-043*		MODEL NO.

10 9 8 7 6 5 4 3 2 1

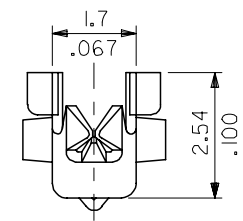
- NOTES
1. APPLICABLE HOUSING : 5559 SERIES
  2. MATES WITH TERMINAL : 5556 SERIES
  3. (METRIC) VALUES SHOWN GOVERN OVER ENGLISH CONVERSION VALUES.
  4. GENERAL TOLERANCES OF ENGLISH CONVERSION VALUES :  $\pm .008$  INCH
-  THE NUMBER OF SERRATIONS TO BE ONE FOR WIRE RANGE #22-28.




SECT. G-G



SECT. H-H



REVISED EC NO: J2005-2285 DRWN: NABEI 2005/07/06 CHKD: KTOJO 2005/07/06 APPR: NUKITA 2005/07/12	GENERAL TOLERANCES (UNLESS SPECIFIED)		DIMENSION STYLE	SCALE	DESIGN UNITS	THIRD ANGLE PROJECTION		
			MM ONLY	10:1	METRIC			
	10 UNDER	$\pm 0.2$	DRAWN BY	TITLE				
	10 OVER 30 UNDER	$\pm 0.25$	H. HIRAMOTO	NEW MINI FIT CONN CRIMP PIN -LEAD FREE-				
	30 OVER	$\pm 0.3$	M. FUKUSHIMA	MOLEX INCORPORATED				
ANGULAR	$\pm 3^\circ$	M. ENOMOTA	MATERIAL NO.	DOCUMENT NO.	SHEET NO.			
DRAFT WHERE APPLICABLE MUST REMAIN WITHIN DIMENSIONS			SEE CHART	SD-5558-002	1 OF 2			
SIZE  THIS DRAWING CONTAINS INFORMATION THAT IS PROPRIETARY TO MOLEX INCORPORATED AND SHOULD NOT BE USED WITHOUT WRITTEN PERMISSION								

P OSP OP BPONZE	SELEC VE GOLD 0.76 30γ. MN.	0.9	4.5	3.6	0.6	2.7	2.3	3.	MA .	0224	PBGS3L
	AND	.035	.77	.42	.024	.06	.09	.22		0223	PBGS3
	SELEC VE N 2.03 80γ. MN.	0.6	2.3	2.3	0.4	.65	.8	0.9 .8		0222	PBGS2L
	OVEP	.024	.09	.09	.06	.065	.07	.035 .07		022	PBGS2
	N C EL .27 50γ. MN.	0.9	4.5	3.6	0.5	2.3	.9	.3 3.		0220	PBGS L
		.035	.77	.42	.020	.09	.075	.05 .22		02 9	PBGS
		0.9	4.5	3.6				3.		0 48	GS9L
	SELEC VE GOLD .27 50γ. MN.	.035	.77	.42		.06	.09	.22 MA .		0 47	GS9
	AND	0.6	2.3	2.3				0.9 .8		▼ 0 46	GS8L
	SELEC VE N 2.54 00γ. MN.	.024	.09	.09		.065	.07	.035 .07		39 00 0 45	GS8
OVEP	0.9	4.5	3.6				.3 3.	40 3 0854	GS7L		
N C EL .27 50γ. MN.	.035	.77	.42				.05 .22	40 3 0853	GS7		
							3.	39 00 0 00	GS6L		
BPASS	SELEC VE GOLD 0.38 5γ. MN.						.22 MA .		▲ 0099	GS6	
	AND						0.9 .8		0098	GS5L	
	SELEC VE N 2.03 80γ. MN.						.035 .07		0097	GS5	
	OVEP						.3 3.		0076	GS4L	
	N C EL .27 50γ. MN.						.05 .22		0075	GS4	
									0096	GS3L	
									0095	GS3	
	SELEC VE GOLD 0.76 30γ. MN.								0433	GS2L7F	
	AND								0432	GS27F	
	SELEC VE N 2.03 80γ. MN.								043	GS L7F	
OVEP								0430	GS7F		
N C EL .27 50γ. MN.											
MA CP AL	F N S										

REVISED

SEE CAHRT