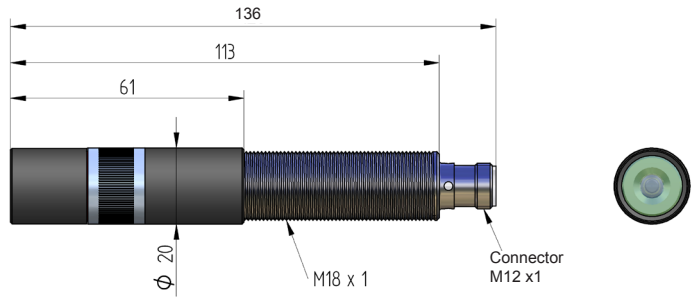


# Z20M18H-F-450-lp45

New product for high-end applications, science, vision, analysis, measurement, medical science, bio photonics, alignment & more



## Features

- Built-in micro controller and serial interface
- Analogue and concurrent TTL modulation up to 20MHz
- Logging of operating parameters like temperature, operation hours, ...
- Simple, external hand focusing mechanism
- Thread mounted for simple and versatile mounting
- LED signal indicates laser operation and any malfunction
- Over voltage protection with surge/spike protection

## Main characteristics

Wavelength / Optic	450nm / Line, homogenous light distribution, 45° fan angle
Power / Laser class	20mW / Laser class 3R (EN 60825-1:2007)

## Optical specifications

Optical power stability	Diode depending
Wavelength vs. temperature	Typ. 0,15 - 0,30nm / °C
Range of focus	100mm up to ∞
Pointing stability	< 15μrad / °C

## Electrical specifications

Supply voltage	5-30VDC
Modulation	ACC: up to 20 MHz (diode depending)
Protection	reverse polarity and transient/ESD, over temperature protection and LED pre-failure indicator
Connection	M12 plug, 4-pin

## Mechanical specifications

Dimensions	138mm x Ø 20mm (focusable version)
Housing	Laser: M18 industry housing, chromed brass Optic head: anodised aluminium
Protection category	IP 67, fully waterproof
Weight	ca. 87g
Electrical isolation	potential-free housing

## Environmental conditions

Case temperature	-10°C up to +50°C (heat dissipation e.g. with mounting H8-M18)
Storage temperature	-10°C up to +80°C
Humidity	Max. 90%, non condensing
MTTF at 25°C	> 5.000h (450nm)

Z X M18H - X - X - X

