

Technical Information

Compact energy efficient LED Luminaire for downlight applications



Tender text

- real MR 16 Downlight 50 W replacement → same form factor (cut out 68 mm), same beam angle (36° and 12°), more candela power
- sustainable and energy saving → luminaire efficacy 50 lm/W and up to 70% savings
- easy connection to mains voltage → precabled power supply included
- comfortable features → adjustable +/- 20° and dimming version available
- suitable for bathroom applications → IP44 rated
- economical → less than 1,5 years pay back time

Table of contents:

Tender text	1
A) Technical Information	2
1) Housing, Mounting and Accessories	2
2) Electrical Installation	4
3) Optical features	4
4) Control	6
B) Logistic Data	6

LEDVANCE™ Downlight M

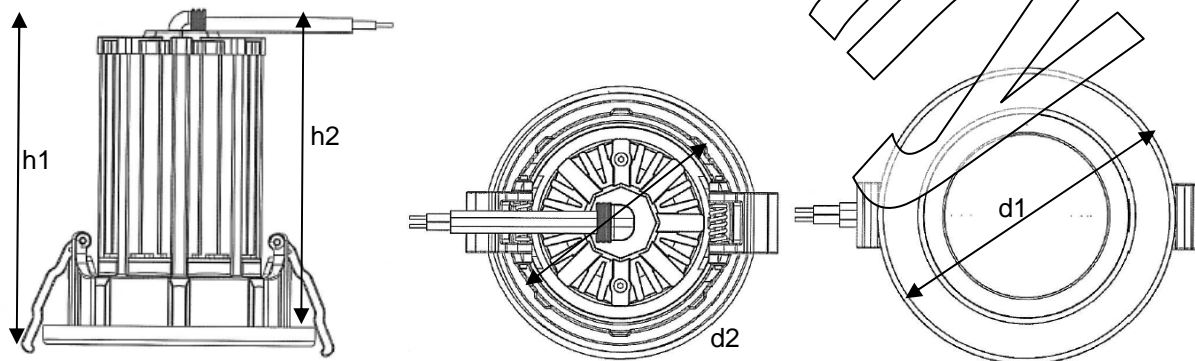


A) Technical Information

1) Housing, Mounting and Accessories

Product name	LEDVANCE™ Downlight M
Body material	Aluminium
Color of the ring (RAL)	white RAL 9016 matt
Cover material	Polymer
Type of cover	clear
Symmetry	symmetric
Adjustable	+/- 20° (40° in total)

	LEDVANCE™ Downlight M 36°	LEDVANCE™ Downlight M 12°
Total Height h1 [mm]	98 mm	103 mm
Total Diameter d1 [mm]	80 mm	80 mm
Backside depth h2 [mm]	93 mm	97 mm
Backside diameter d2 [mm]	66 mm	66 mm
Cut out diameter d3 [mm]	68 mm	68 mm



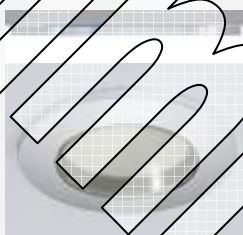
LEDVANCE™ Downlight M



Mounting type	Recessed Downlight
Net weight [g]	320
Ceiling thickness [mm]	12-24

Protection class	II
Type of protection (IP code)	IP 44
Protection against ignition and fire	F
Glow Wire Test according to IEC 695-2-1 (> 650°C)	960 °C
Ambient temperature [°C]	tbc
Storage temperature [°C]	tbc
Approval marks	ENEC, CE
Luminaire efficiency [lm/W]	> 50 lm/W

Anodized Aluminum Ring



Flat Anodized Aluminum Ring with glass cover (like standard white ring)

LEDVANCE™ Downlight M



2) Electrical Installation

- Mains voltage luminaire with on/off functionality

Product name	LEDVANCE™ Downlight M
Nominal wattage [W]	13,5 W
Mains voltage [V]	220-240 V
Mains frequency [Hz]	50-60 Hz
Suitable cable types for primary side:	NYM(3x1.5) mm ² ; U-1000 R2V (2x1 – 2x1.5 – 3x1 – 3x1.5) mm ² , H05VV-F(3x0.75 – 3x1.5) mm ² H05VV-F(2x0.75 – 2x1.5) mm ² ; H05VV-H2F(2x0.75 – 2x1.5) mm ²
Type of connection	screw terminal on power supply

3) Optical features

- OSRAM OSOLON LED inside
- High efficient reflector system

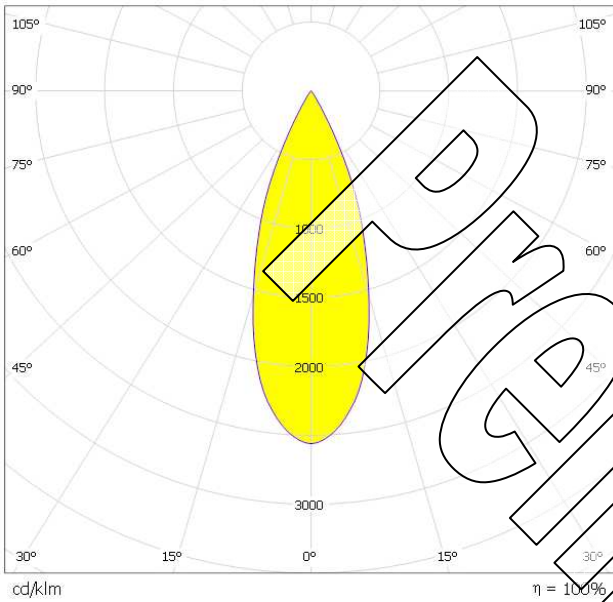
Product name	LEDVANCE™ Downlight M
LED type	OSOLON
Number of lighting outlets	9
Lifetime LED	50.000 h (L70)
Light color	White
Color rendering index (CRI)	> 80
Color temperature [K]	3000 K; 4000 K
Beam angle [°]	36°, 12°
Luminous flux [lm]	700 lm
Luminous intensity [cd]	36°: 1636 cd 12°: 7408 cd
UGR _L	19 Suitable for office environments

LEDVANCE™ Downlight M

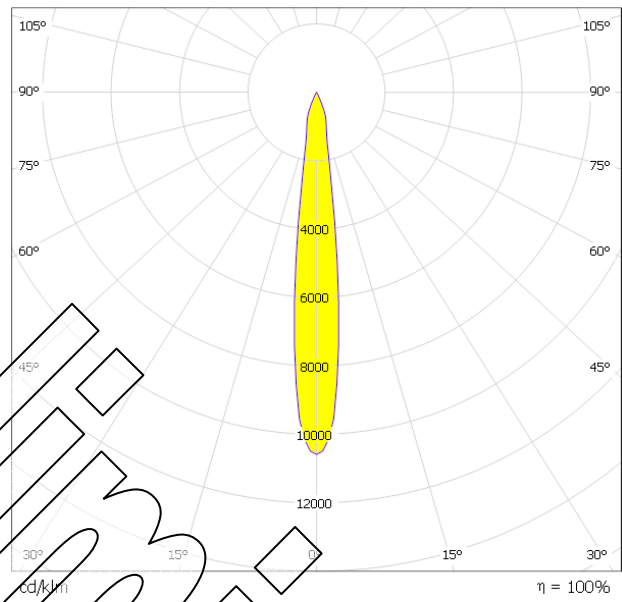


Polar diagram:

36° beam angle

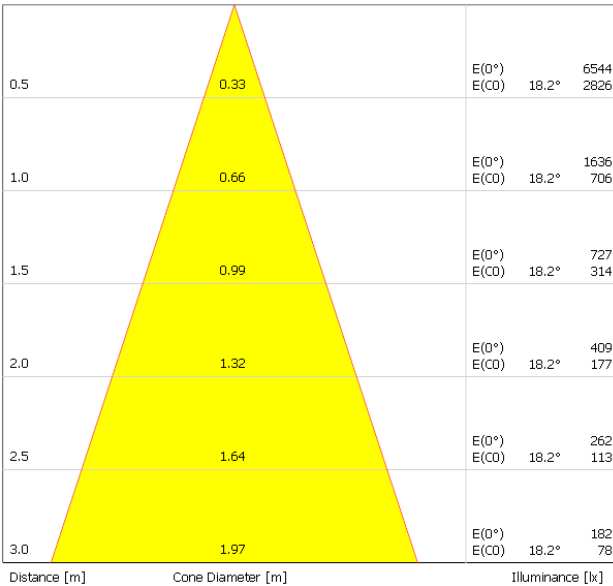


12° beam angle

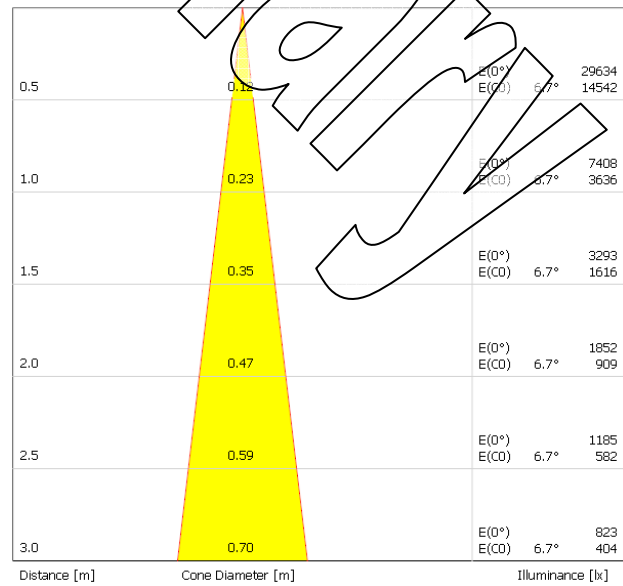


Cone diagram:

36° beam angle



12° beam angle



LEDVANCE™ Downlight M



4) Control

- Mains voltage luminaire with on/off functionality
- Dimmable version available soon

Product name	LEDVANCE™ Downlight M
Ballast / Control gear	external ECG OT18/220-240/450 precabled on the secondary side (included in the packaging)
Permissible sinusoidal operating voltage [V_{AC}]	220-240 V
Dimmable	No, (dimmable version available soon)

B) Logistic Data

Product reference	Product number (EAN 10)	Color	Light color	SU
LEDVANCE™ DOWNLIGHT M 830 L12 WT	4008321968861	white	3000 K	4x1
LEDVANCE™ DOWNLIGHT M 830 L36 WT	4008321968678	white	3000 K	4x1
LEDVANCE™ DOWNLIGHT M 840 L12 WT	4008321968685	white	4000 K	4x1
LEDVANCE™ DOWNLIGHT M 840 L36 WT	4008321968692	white	4000 K	4x1

Accessories:

Product reference	Product number (EAN 10)	Color	SU
LEDVANCE™ DOWNLIGHT M RING AL	4008321968746	anodized aluminium	4x1

AL	anodized aluminium
WT	White
830	warm White 3000 K
840	cool White 4000 K
L12	12° beam angle
L36	36° beam angle