

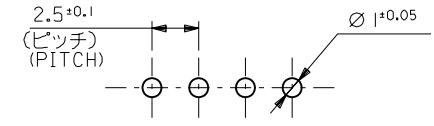
E

D

DIMENSIONS IN METRIC DO NOT SCALE DRAWING

A

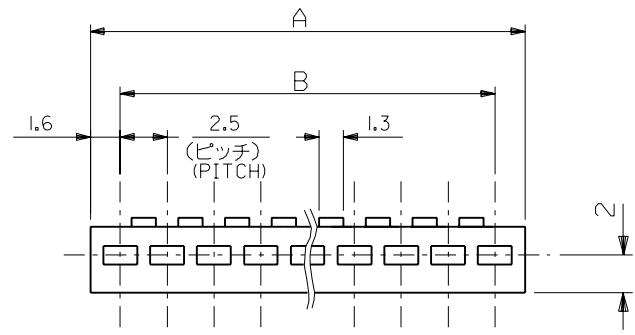
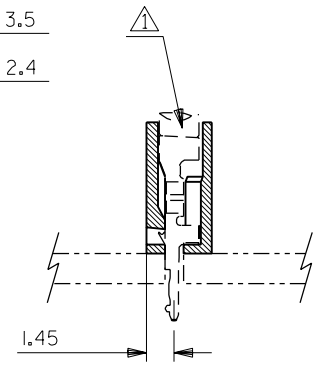
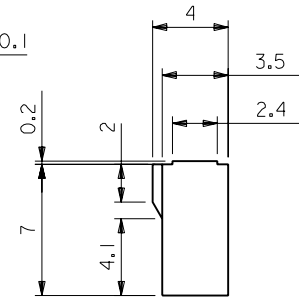
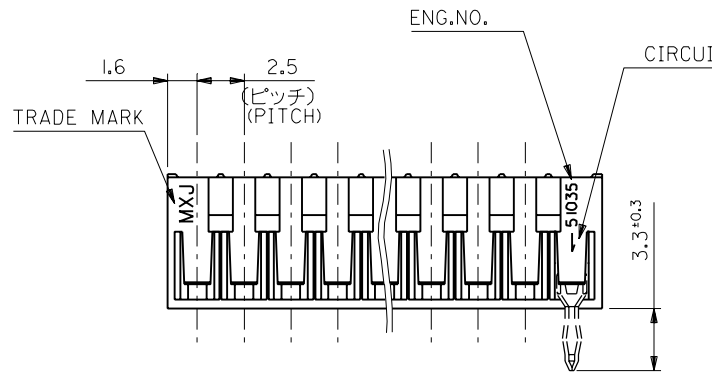
(公差非累積)
(NON-ACCUMULATIVE)



基板取付穴推奨寸法 (基板厚: 1.6mm)
RECOMMENDED PC BOARD HOLE DIMENSION
(THICKNESS: 1.6mm)

注記
NOTE

▲適合ターミナル: 50097-8*00
APPLICABLE TERMINAL: 50097-8*00



42.5	45.7	51035 - 1800	18
40.0	43.2	▲ - 1700	17
37.5	40.7	- 1600	16
35.0	38.2	- 1500	15
32.5	35.7	- 1400	14
30.0	33.2	- 1300	13
27.5	30.7	- 1200	12
25.0	28.2	- 1100	11
22.5	25.7	- 1000	10
20.0	23.2	- 0900	9
17.5	20.7	- 0800	8
15.0	18.2	- 0700	7
12.5	15.7	- 0600	6
10.0	13.2	- 0500	5
7.5	10.7	- 0400	4
5.0	8.2	▼ - 0300	3
2.5	5.7	51035 - 0200	2
B	A	ENG.NO.	極数 CKT.

MATERIAL		NYLON66,UL94V-0	
仕上げ FINISH		//	
適用電線範囲 WIRE RANGE		AWG#24~20,KV0.2~0.5 AVS0.3~0.5	
被覆外径 INS. RANGE		Φ 1.3~2.1	
DRAWN BY	%6/06/30	CHK'D BY	%6/06/30
K.SANO		M.SAKANO	
APP'D BY	%6/06/30	尺度	SCALE 4:1
M.ENOMOTO			
GENERAL TOLERANCES	LTR	REVISION RECORD	DR. / CHK. / DATE
ANGLE	±3°		
30 OVER	+0.3		
10 OVER 30 UNDER	+0.25		
10 UNDER	+0.2		
E	REDRAWN	K.S.	%6/06/30
		M.S.	

molex MOLEX-JAPAN CO.,LTD. 日本モレックス株式会社	
REVISE ONLY ON CAD SYSTEM	
TITLE 名称 2.5 BOARD IN CONN. HOUSING	
DWG. NO. SD-51035-**-00	REV E