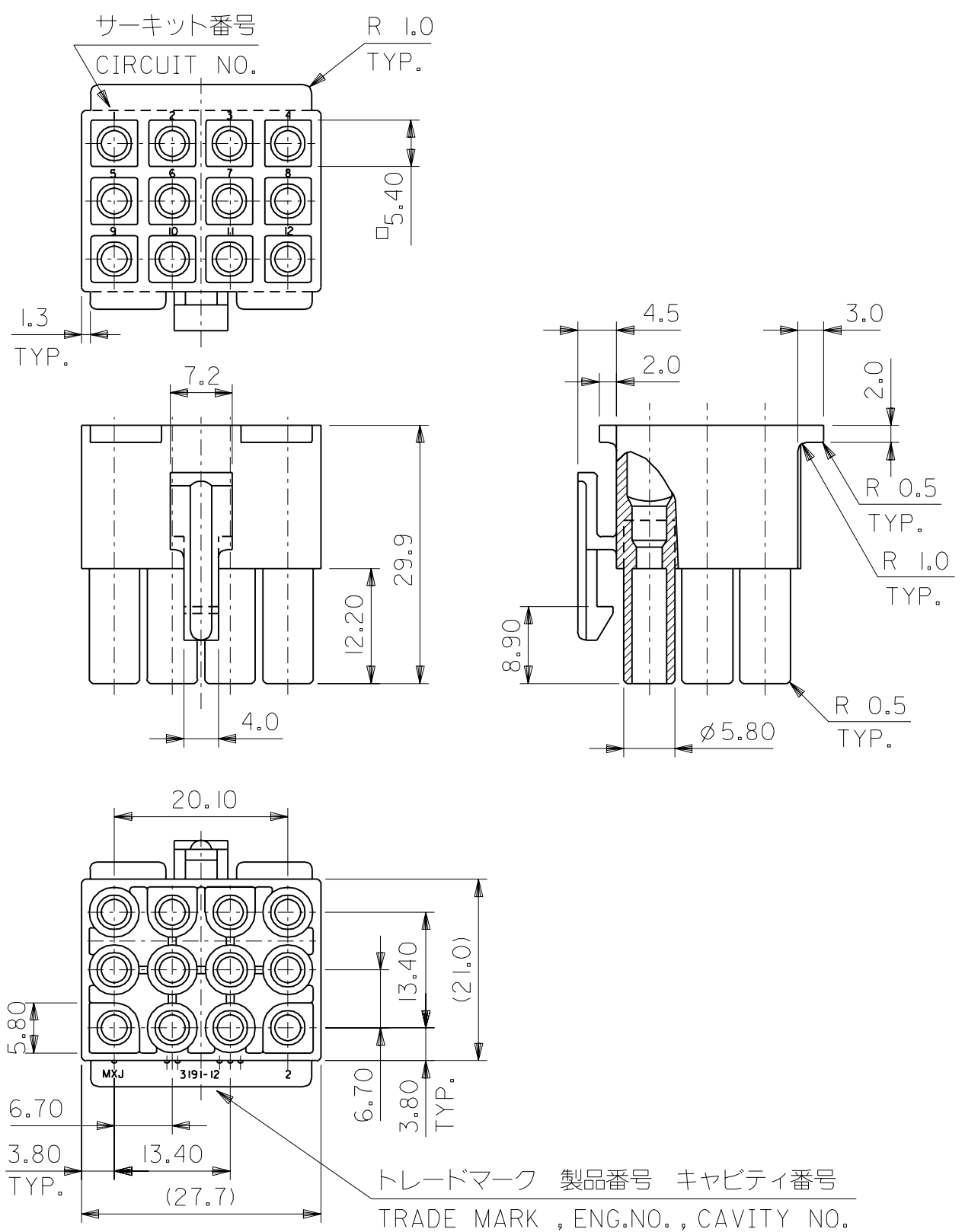


DWG. NO.  
SD-3191-12R1-\*



注)  
NOTE.  
1. ( ) 内寸法は参考  
(DIMENSIONS IN ( ) ARE REFERENCE)

|               |            |                 |       |
|---------------|------------|-----------------|-------|
| 3191-12R1-201 | 39-03-6125 | ナイロン66 NYLON66  | 94V-0 |
| 3191-12R1     | 39-03-6124 | ナイロン66 NYLON66  | 94V-2 |
| ENG.NO.       | EDP.NO.    | 材料 MATERIAL NO. |       |

DO NOT SCALE DRAWING

|                                  |                                  |                                  |                                  |   |
|----------------------------------|----------------------------------|----------------------------------|----------------------------------|---|
| 表4 NO.<br>DRWN:<br>CHK:<br>APPR: | 表3 NO.<br>DRWN:<br>CHK:<br>APPR: | 表2 NO.<br>DRWN:<br>CHK:<br>APPR: | 表1 NO.<br>DRWN:<br>CHK:<br>APPR: | REDRAWN<br>表6 NO. JC2000-0626<br>DRWN: K.KOHAMA '00/ 3/28<br>CH'K: T.YAMAGUCHI '00/ 3/31<br>APPR: M.FUKUSHIMA '00/ 3/31 |
|                                  |                                  |                                  |                                  | MATERIAL 材料<br>表参照<br>SEE TABLE   |
|                                  |                                  |                                  |                                  | FINISH 仕上げ<br>— # —   |
|                                  |                                  |                                  |                                  | WIRE RANGE 適用電線範囲<br>— # —  |
|                                  |                                  |                                  |                                  | INS. RANGE 被覆外径<br>— # —  |

|   |               |   |  |  |                |
|---|---------------|---|--|--|----------------|
| GENERAL TOLERANCES:<br>(UNLESS SPECIFIED)<br>一般公差 |               | SCALE<br>— # —                              | DESIGN UNITS<br><input checked="" type="checkbox"/> mm <input type="checkbox"/> INCH | DIMENSIONS:<br><input type="checkbox"/> mm <input type="checkbox"/> INCH <input checked="" type="checkbox"/> mm ONLY | SHT<br>REV     |
| 10 UNDER 未満                                       | ±0.25<br>±0.2 | DRAWN BY & DATE<br>K.KOHAMA '00/ 3/28       |  | TITLE:<br>12 CKT. REC. HS'G (.093 DIA. TERM.)  |                |
| 10 OVER 以上 30 UNDER 未満                            | ±0.3<br>±0.25 | CHECKED BY & DATE<br>T.YAMAGUCHI '00/ 3/31  |  | <input checked="" type="checkbox"/> FIRST ANGLE PROJECTION<br>MOLEX INCORPORATED                                     |                |
| 30 OVER 以上  | ±0.35<br>±0.3 | APPROVED BY & DATE<br>M.FUKUSHIMA '00/ 3/31 |  |  |                |
| ANGLE 角度  | ±3°           | CAD FILENAME<br>S319112.S10                 | MATERIAL NO.<br>3191-12R1-*  | DRAWING NO.<br>SD-3191-12R1-*  | SHEET NO.<br>1 |

THIS DRAWING CONTAINS INFORMATION THAT IS PROPRIETARY TO MOLEX INCORPORATED AND SHOULD NOT BE USED WITHOUT WRITTEN PERMISSION.

SIZE B