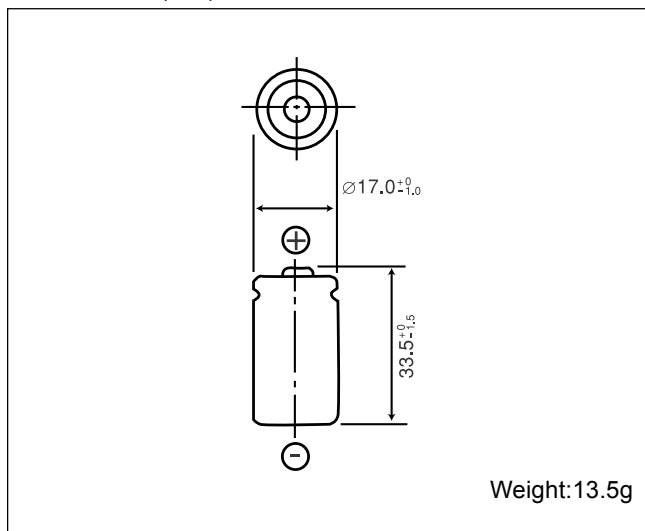


# Poly-carbonmonofluoride Lithium Batteries: Individual Specifications

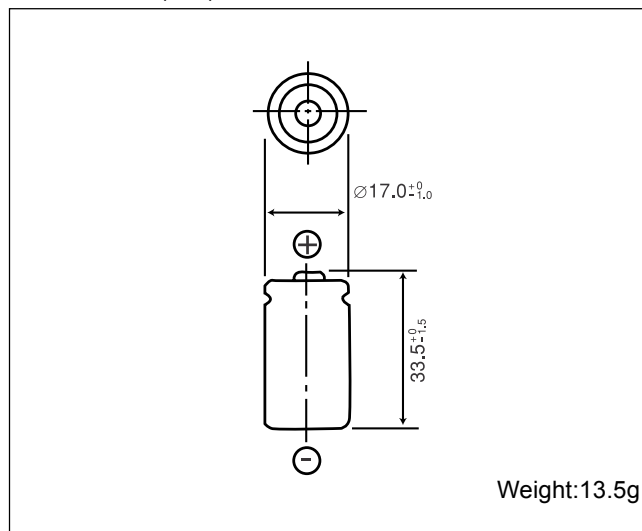
## BR-2/3A

### ■ Dimensions(mm)



## BR-2/3AH

### ■ Dimensions(mm)



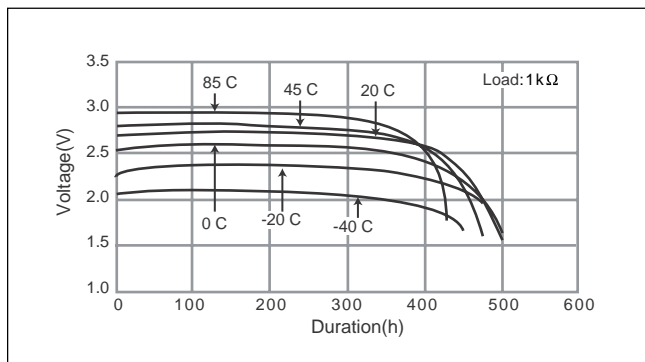
### ■ Specification

Nominal voltage(V)	3
Nominal capacity(mAh)	1,200
Continuous standard load(mA)	2.5
Operating temperature(°C)	-40 ~ +85

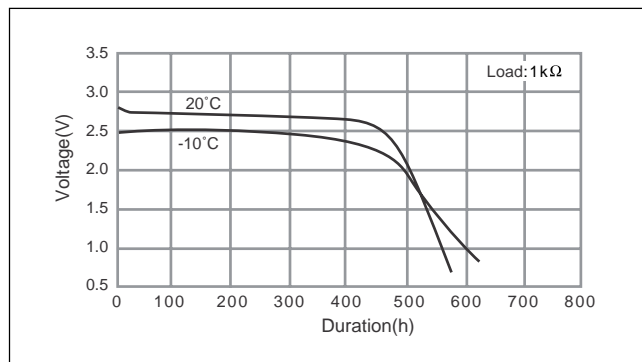
### ■ Specification

Nominal voltage(V)	3
Nominal capacity(mAh)	1,350
Continuous standard load(mA)	2.5
Operating temperature(°C)	-40 ~ +85

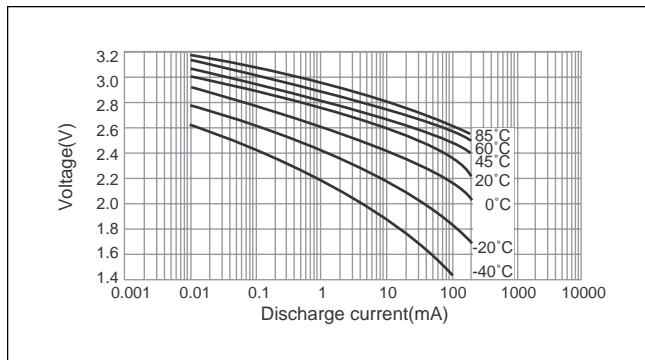
### ■ Temperature Characteristics



### ■ Temperature Characteristics



### ■ Operating voltage vs. Discharge current(voltage at 50% discharge depth)



### ■ Operating voltage vs. Discharge current(voltage at 50% discharge depth)

