

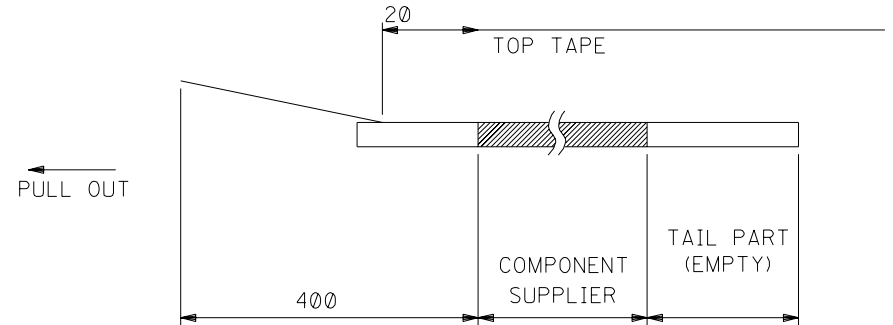
NOTES

1. 52559-***19

IN THE PACKAGE, ACTUATOR OF PART NO. 52559-***19 SHOULD BE LOCKED
RE DETAILED DIMENSIONS, SEE SD-F

2. NUMBER OF CONNECTORS: 1000 PCS/REEL

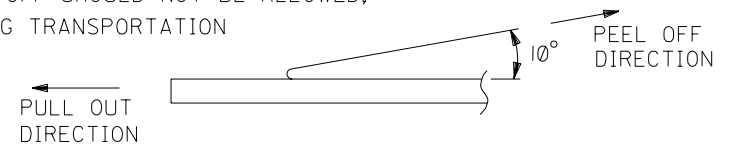
3. LEAD TAPE LENGTH

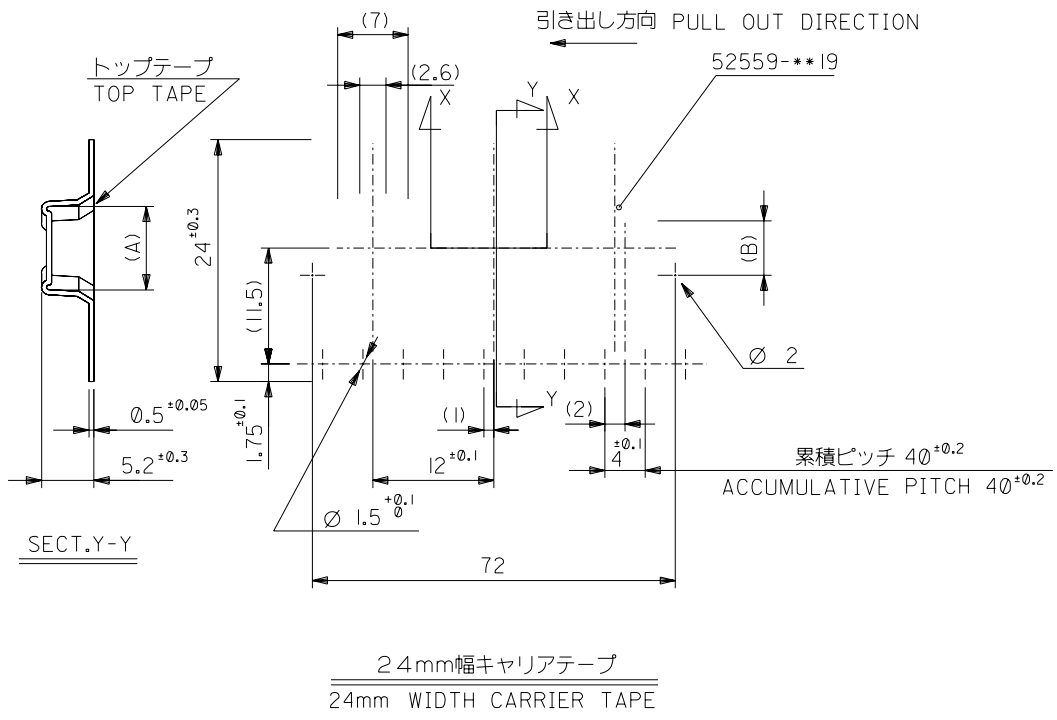


4.

PEELING OFF FORCE OF TOP TAPE

THIS REQUIREMENT SHOULD BE APPLIED AT SHIPMENT
PEEL OFF SHOULD NOT BE ALLOWED,
DURING TRANSPORTATION





24	29.4	25.4	14.4	17.3	52559-2472	24		
			13.9	16.8	52559-2372	23		
			12.9	15.8	52559-2172	21		
			12.4	15.3	52559-2072	20		
			10.9	13.8	52559-1772	17		
			10.4	13.3	52559-1672	16		
			9.9	12.8	52559-1572	15		
			9.4	12.3	52559-1472	14		
			8.4	11.3	52559-1272	12		
			7.4	10.3	52559-1072	10		
6.9	9.8	52559-0972	9					
5.4	8.3	52559-0672	6					
キャリアテープ幅 CARRIER TAPE WIDTH			D	C	(B)	(A)	MATERIAL NO.	CIRCUIT NO.

64NO. DRWN: CH'K: APPR:	63NO. DRWN: CH'K: APPR:	62NO. DRWN: CH'K: APPR:	REVISED 61NO. J2004-2769 DRWN: H. SHIMABUKURO CH'K: K. TOJO APPR: H. Saito	RELEASED 60NO. J2004-1818 DRWN: H. SHIMABUKURO CH'K: K. TOJO APPR: H. Saito
A				

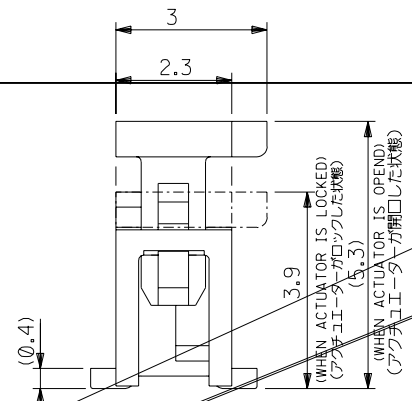
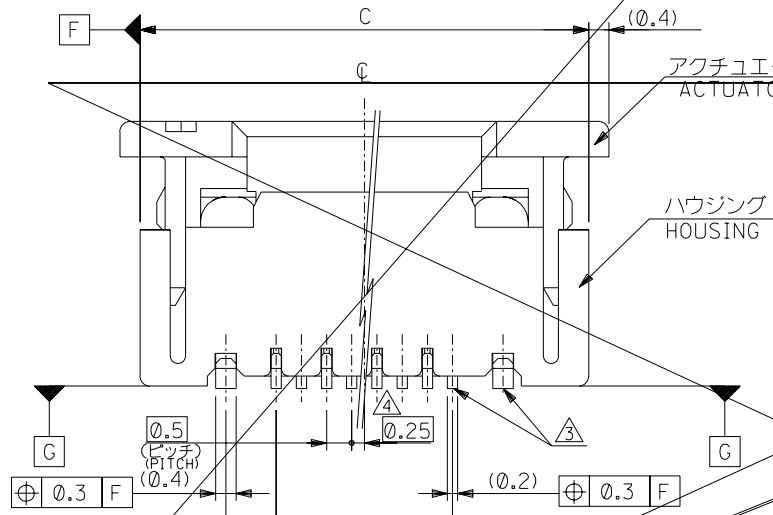
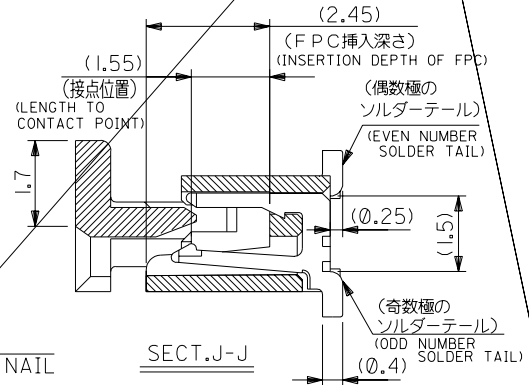
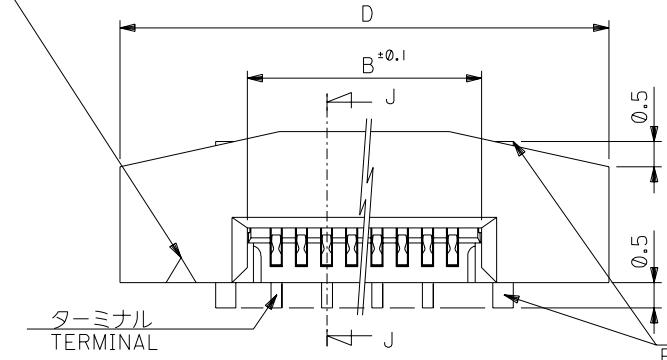
MATERIAL 材料	注記参照 SEE NOTES
FINISH 仕上げ	—
WIRE RANGE 適用線径範囲	—
INS. RANGE 被覆外径	—

GENERAL TOLERANCES: (UNLESS SPECIFIED) 一般公差	SCALE	DESIGN UNITS
10 UNDER 未満	—	mm □ INCH
10 OVER 以上	±0.2	☑ mm □ INCH
30 UNDER 未満	±0.25	
30 OVER 以上	±0.3	
ANGLE 角度	±3°	

DRAWN BY & DATE H. SIMABUKURO '04/01/07	TITLE: 0.5 FPC Conn. Assy ZIF. For SMT.Embstp pkg -LEAD FREE-
CHECKED BY & DATE T. TOJO '04/01/07	
APPROVED BY & DATE H. Saito '04/01/07	MATERIAL NO. 52559-**-72
CAD FILENAME SD-52559-028.S01	
DIMENSIONS: <input type="checkbox"/> mm <input type="checkbox"/> INCH <input checked="" type="checkbox"/> mm ONLY	
SHT REV REVISE ON CAD ONLY	
MOLEX INCORPORATED	
DRAWING NO. SD-52559-028	SHEET NO. 2 OF 4
THIS DRAWING CONTAINS INFORMATION THAT IS PROPRIETARY TO MOLEX INCORPORATED AND SHOULD NOT BE USED WITHOUT WRITTEN PERMISSION.	
SIZE B	

DWG. NO. SD-52559-045

回路番号1用マーク
CIRCUIT NO.1 MARK



注記 NOTES

- 使用材料: MATERIAL
 ハウジング HOUSING :46NYLON UL94V-0
 アクチュエータ ACTUATOR :PPS UL94V-0
 ターミナル TERMINAL :リン青銅 (t=0.2) PHOS-BRO
 :錫ビスマスメッキ 1.0マイクロメートル以上 TIN-BISMUTH 1.0 MICROMETER MINIMUM
 :ニッケル下地 1.0マイクロメートル以上 NICKEL(UNDER PLATING) 1.0 MICROMETER MINIMUM
 金具 FITTING NAIL :リン青銅 (t=0.4) PHOS-BRO
 :錫メッキ 1.0マイクロメートル以上 TIN 1.0 MICROMETER MINIMUM
 :ニッケル下地 1.0マイクロメートル以上 NICKEL(UNDER PLATING) 1.0 MICROMETER MINIMUM
- エンボステープ梱包時は、アクチュエータがロックした状態とする。
 IN THE PACKAGE, ACTUATOR OF PART NO.52559-**19 SHOULD BE LOCKED.
 シルダータール半田付け面のズレ量、及び金具半田付け面のズレ量は、基準面 C に対し上方向 0.05 MAX. , 下方向 0.15 MAX. とする。
 MISALIGNMENT OF SOLDER TAILS AND FITTING NAILS FROM C UPPER DIRECTION: 0.05 MAX. , LOWER DIRECTION: 0.15 MAX.
- 偶数極に適用。
 APPLY FOR EVEN CIRCUIT.
 ナターンはくり止めの用金具。
 FITTING NAIL FOR PREVENTION OF PEELING OF P.C.B. PATTERN.
 RO.3は、FPCの導体部にかからないこと。
 RO.3 MUST NOT BE OVERLAPPED TO PATTERN OF FPC.
- 本製品は 52559-**17 の鉛フリー品である。
 THIS PRODUCT IS LEAD FREE OF 52559-**17

DO NOT SCALE DRAWING

REVISED J2004-3551 H.KAWABATA 04/01/05 K.TOJO 04/01/05 H. Saitoh 04/01/05
 RELEASED J2004-1818 H.SHIMABUKURO 04/01/05 K.TOJO 04/01/05 H. Saitoh 04/01/05

REV DESCRIPTION

注記参照
SEE NOTES

GENERAL TOLERANCES:
(UNLESS SPECIFIED)

SCALE: 1:1
 DESIGN UNITS: mm
 DRAWN BY & DATE: H.SHIMABUKURO 04/01/07
 CHECKED BY & DATE: K.TOJO 04/01/07
 APPROVED BY & DATE: H. Saitoh 04/01/07

TITLE: 0.5 FPC Conn. Assy ZIF. LEAD FREE

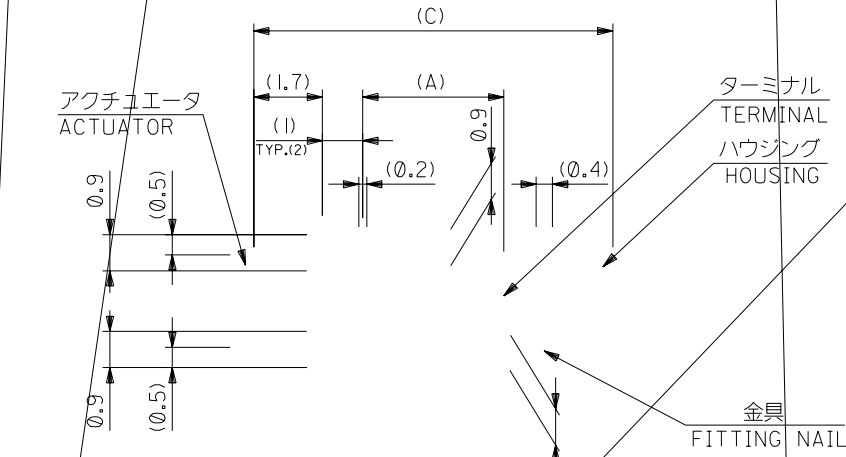
CAD FILENAME: SD-52559-045.S01 MATERIAL NO.: SEE CHART DRAWING NO.: SD-52559-045 SHEET NO.: 1 OF 2

THIS DRAWING CONTAINS INFORMATION THAT IS PROPRIETARY TO MOLEX INCORPORATED AND SHOULD NOT BE USED WITHOUT WRITTEN PERMISSION.

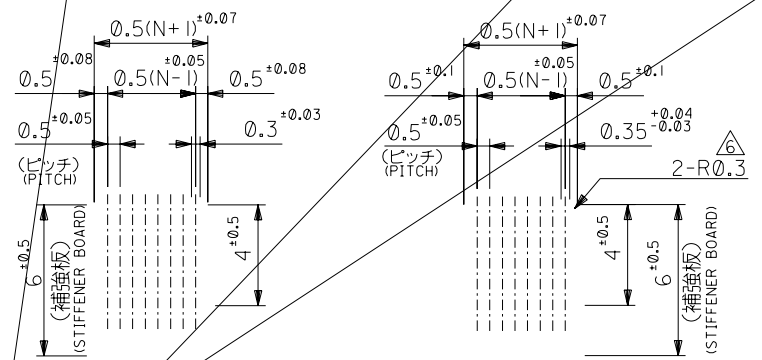
MODEL NO. 52559-**19

DIMENSIONS: SHT REV REVISION ON CAD ONLY

SD-52559-045.S01

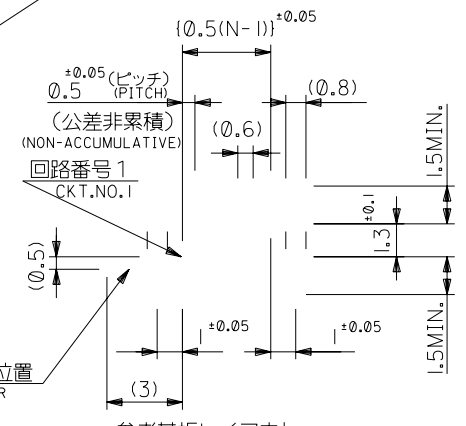


下面図
BOTTOM VIEW



適合FPC推奨寸法
APPLICABLE FPC
RECOMMENDED DIMENSION.
(仕上がり厚さ: 0.3 ±0.05)
(THICKNESS: 0.3 ±0.05)

適合FPC推奨寸法
APPLICABLE FPC
RECOMMENDED DIMENSION.
(仕上がり厚さ: 0.3 ±0.05)
(THICKNESS: 0.3 ±0.05)



参考基板レイアウト
(マウント面)
RECOMMENDED P.C. BOARD
PATTERN DIMENSION (REF.)
(MOUNTING SIDE)

23.7	22.9	18.65	17.5	-36	19	36
22.2	21.4	17.15	16.0	-33	19	33
21.7	20.9	16.65	15.5	-32	19	32
21.2	20.4	16.15	15.0	-31	19	31
20.7	19.9	15.65	14.5	-30	19	30
20.2	19.4	15.15	14.0	-29	19	29
19.7	18.9	14.65	13.5	-28	19	28
19.2	18.4	14.15	13.0	-27	19	27
18.7	17.9	13.65	12.5	-26	19	26
18.2	17.4	13.15	12.0	-25	19	25
17.7	16.9	12.65	11.5	-24	19	24
17.2	16.4	12.15	11.0	-23	19	23
16.7	15.9	11.65	10.5	-22	19	22
16.2	15.4	11.15	10.0	-21	19	21
15.7	14.9	10.65	9.5	-20	19	20
15.2	14.4	10.15	9.0	-19	19	19
14.7	13.9	9.65	8.5	-18	19	18
14.2	13.4	9.15	8.0	-17	19	17
13.7	12.9	8.65	7.5	-16	19	16
13.2	12.4	8.15	7.0	-15	19	15
12.7	11.9	7.65	6.5	-14	19	14
12.2	11.4	7.15	6.0	-13	19	13
11.7	10.9	6.65	5.5	-12	19	12
11.2	10.4	6.15	5.0	-11	19	11
10.7	9.9	5.65	4.5	-10	19	10
10.2	9.4	5.15	4.0	-09	19	9
8.7	7.9	3.65	2.5			6
D	C	B	(A)			極数 CKT.

RELEASED

0

SEE C1