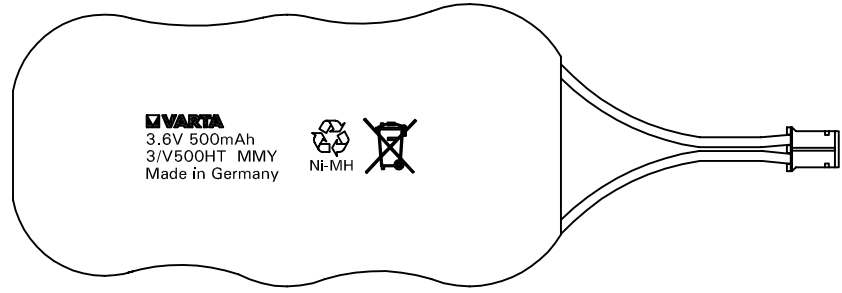
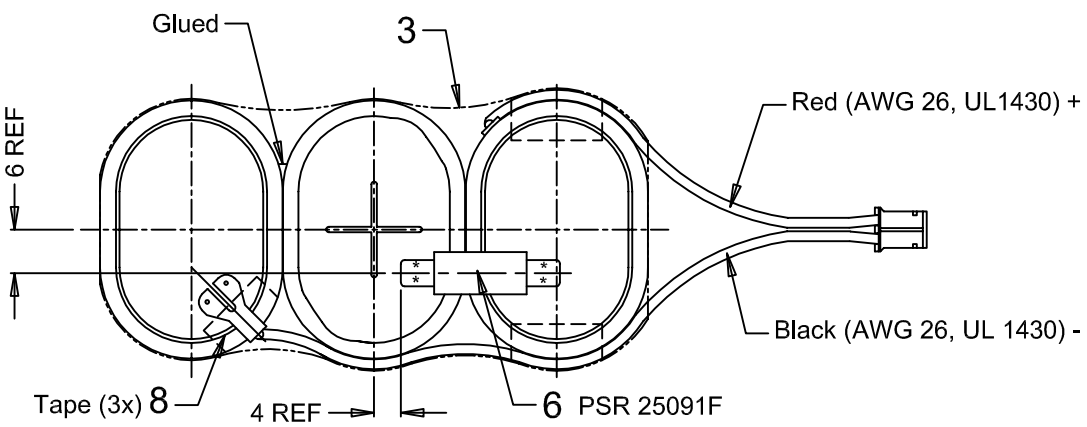
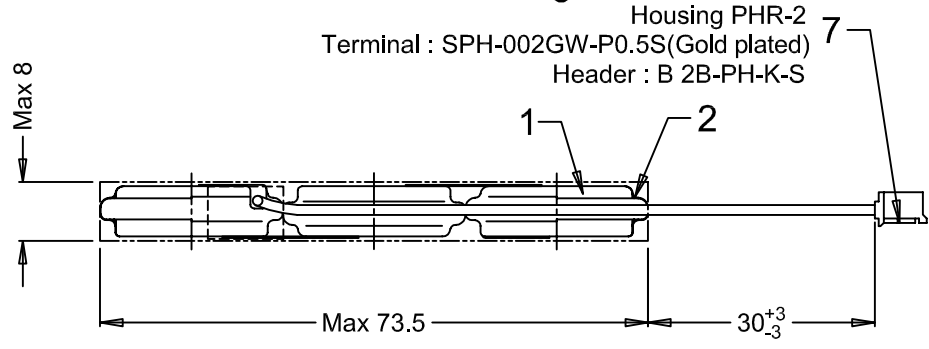
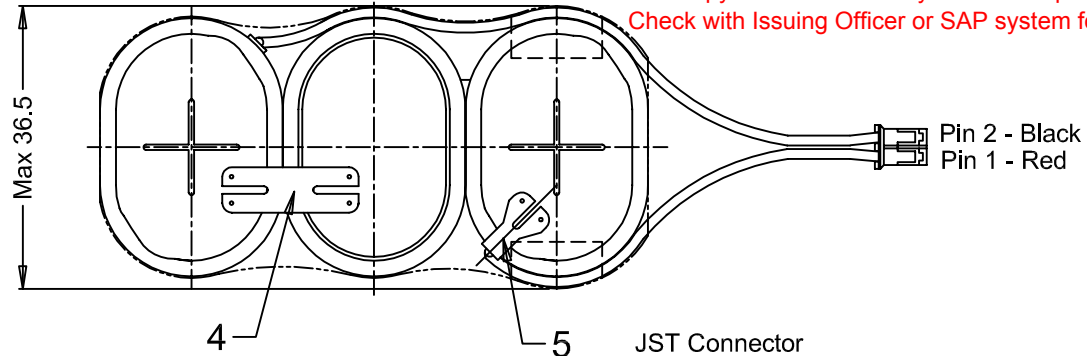


This is a controlled document.
 Hardcopy to be endorsed by authorised person.
 Check with Issuing Officer or SAP system for latest update.



Note: 1) Battery is totally insulated
 2) Battery with orange sleeve & black printed
 4) Cell deflection space of 1.2mm/cell is needed in case of abusive conditions.
 Please consult Varta for more details.

Approx. wt: 46 g

No	AO No	Revisions	Date	Name
1	R308/09	To add tape 3x was 1x.	2009-06-24	Ben
0	020/09	Refer to provisional drawing # P03-00290, revision : 004	2009-04-16	Ratna

Projection:	Material: Refer to part list no: 703143		Description: 3/V500HT L S WC with sleeve & wires connector	
	Dimensions in mm	Prepared & Checked 2009-04-16 Ratna	Verified & Approved	Dwg. No: 703143
Tolerance: As specified Scale: 1 : 1			VKB Order No: 55750 403 015	4 0 1

Rights reserved to make technical changes, as a result of further development, without notice. This drawing is the property of VARTA Microbattery and must not be copied or disclosed to a third party without the written consent of VARTA Microbattery.

