

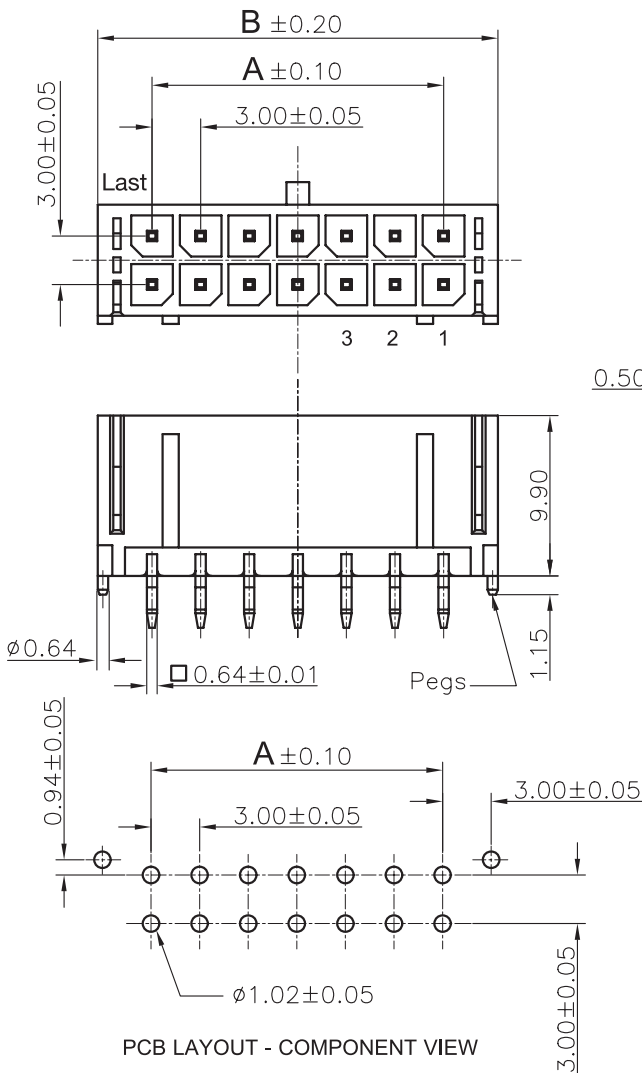
1

2

3

4

5




TECHNICAL CHARACTERISTICS

MATERIAL
 INSULATOR: NYLON 6T
 FLAMABILITY RATING: UL94-V0
 COLOR: BLACK
 CONTACT MATERIAL: COPPER ALLOY
 CONTACT TYPE: STAMPED
 CONTACT PLATING: TIN
 QUALITY CLASS: 25 MATING CYCLES
 PITCH: 3.00MM

ENVIRONMENTAL
 OPERATING TEMPERATURE: -25 UP TO 105°C
 COMPLIANCE: LEAD FREE AND ROHS

ELECTRICAL
 CURRENT RATING: 5A
 WORKING VOLTAGE: 250V AC
 INSULATOR RESISTANCE: >1000 MOHM
 DIELECTRIC WITHSTANDING VOLTAGE: 1500V AC/MN
 CONTACT RESISTANCE: 10 mOHM MAX

STANDARD
 CERTIFIED: E323964 / MODEL NUMBER 662-S

SOLDERING
 WAVE AND REFLOW PROCESS

PACKAGING
 TRAY

DIMENSION
 A = 3.00 x (NB. PIN / 2 - 1)
 B = 3.00 x (NB PIN / 2 + 1) + 0.70

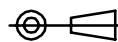
A

B

C

RoHS Compliant

PROJECTION:



GENERAL TOLERANCE

.X = +/- 0.2
 .XX = +/- 0.15



APPROVAL: RJ

UNIT: MM

SCALE:

SHEET: 1/2

DRAW: PEARL

DESCRIPTION: 3.00MM MALE DUAL ROW VERTICAL HEADER

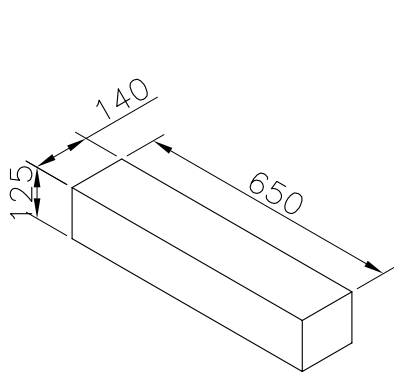
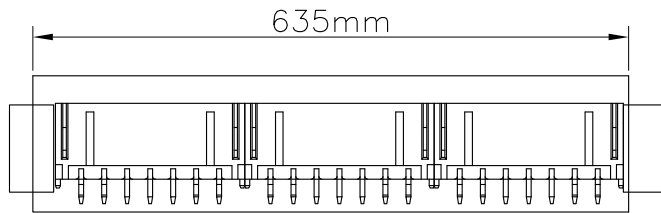
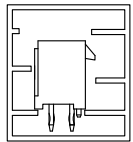
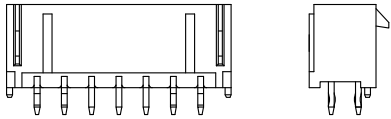
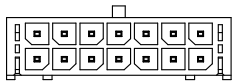
WERI PART NO: 662 0xx 211 22

SIZE

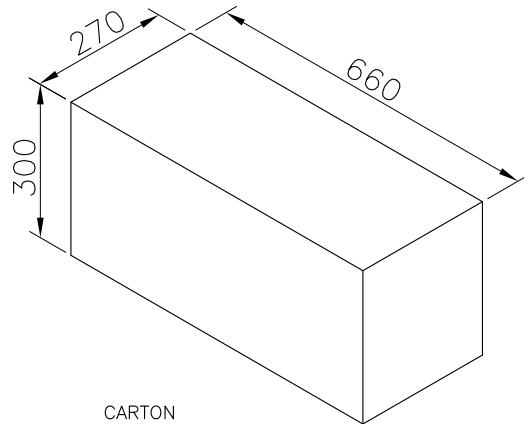
A4

D

REV	DATE	FILE	BY
H	23-JUL-10	PEG DIMENSION	GG



INNER CARTON

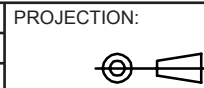


CARTON

Note:
 1,Dimension
 Tube Size: L=635mm
 Inner Carton Size:650(L)X140(W)X125(H) (mm)
 Carton Size:660(L)X270(W)X300(H) (mm)
 2,Quantity:

Pin.	Pcs/Tube	Pcs/Inner Carton	Pcs/Carton
02	91	5824	23296
04	63	4032	16128
06	48	3072	12288
08	39	2496	9984
10	32	2048	8192
12	28	1792	7169
14	24	1536	6144
16	22	1408	5632
18	20	1280	5120
20	18	1152	4608
22	16	1024	4096
24	15	960	3840

RoHS Compliant			
G			
F			
E			
D			
C			
B			
A			
REV	DATE	FILE	BY



APPROVAL: RJ

GENERAL TOLERANCE
 .X = +/- 0.2
 .XX = +/- 0.15



UNIT: MM
 SCALE:
 SHEET: 2/2
 DRAW: PEARL

DESCRIPTION: 3.00MM MALE DUAL ROW VERTICAL HEADER
 WERI PART NO: 6620 xx 21122_TPK

SIZE
A4