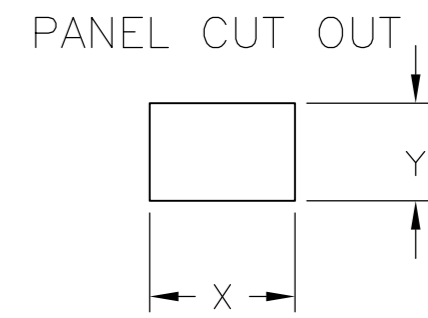
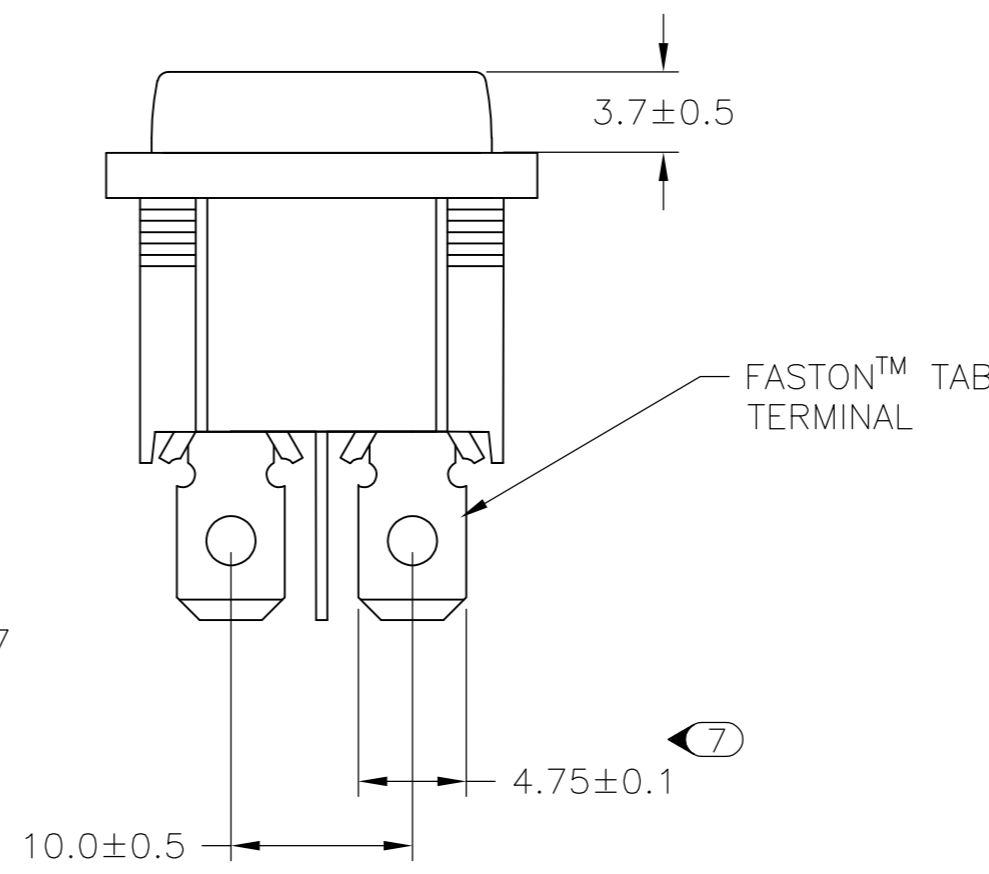
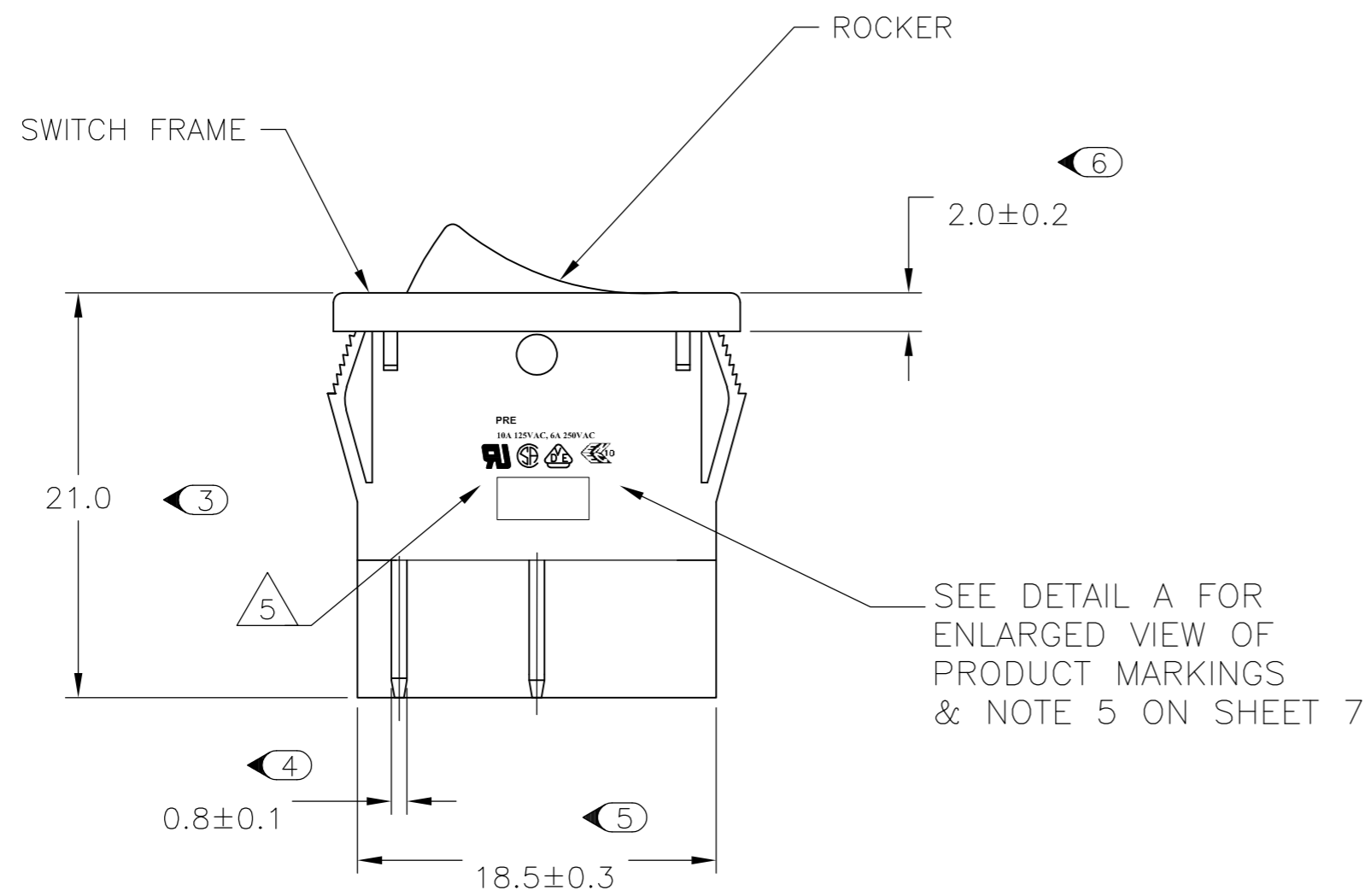
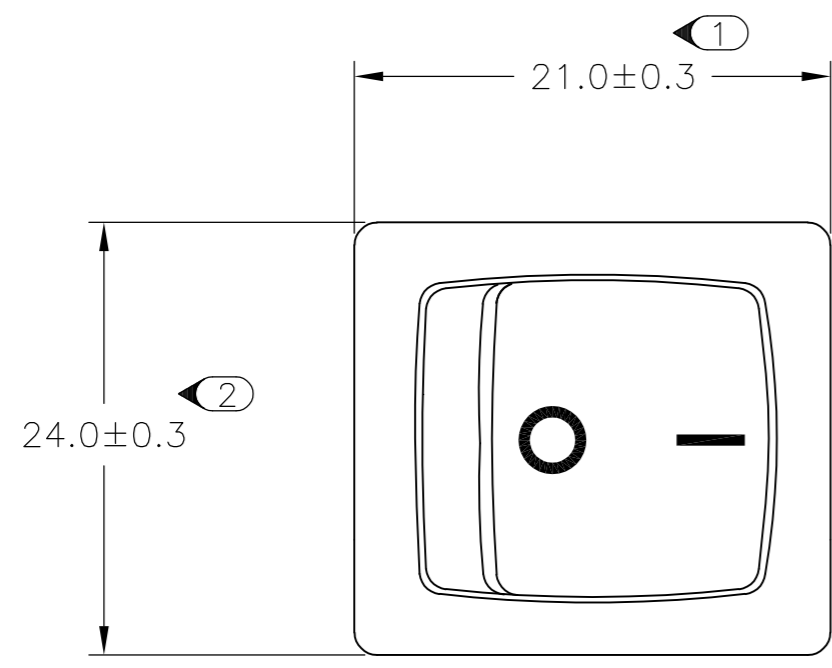
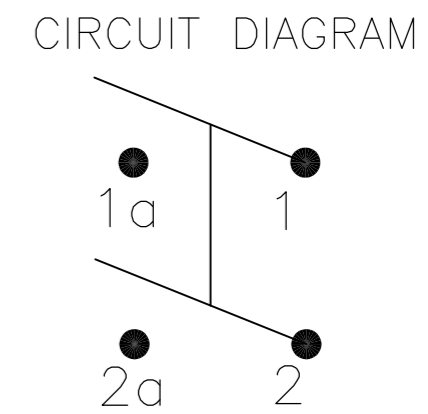


THIS DRAWING IS UNPUBLISHED. RELEASED FOR PUBLICATION
 © COPYRIGHT BY TYCO ELECTRONICS CORPORATION. ALL INTERNATIONAL RIGHTS RESERVED.

LOC	DIST	REVISIONS			
P	LTR	DESCRIPTION	DATE	DWN	APVD
IF	-	D1	REVISED PER ECO-10-007856	14APR10	HMR NE



2.00-3.00	20.20	22.20
1.25-2.00	19.60	22.20
0.75-1.25	19.40	22.20
PANEL THICKNESS	X	Y



6 1634200-2 SHOWN ON-OFF

**PRODUCT MARKING
DETAIL A**

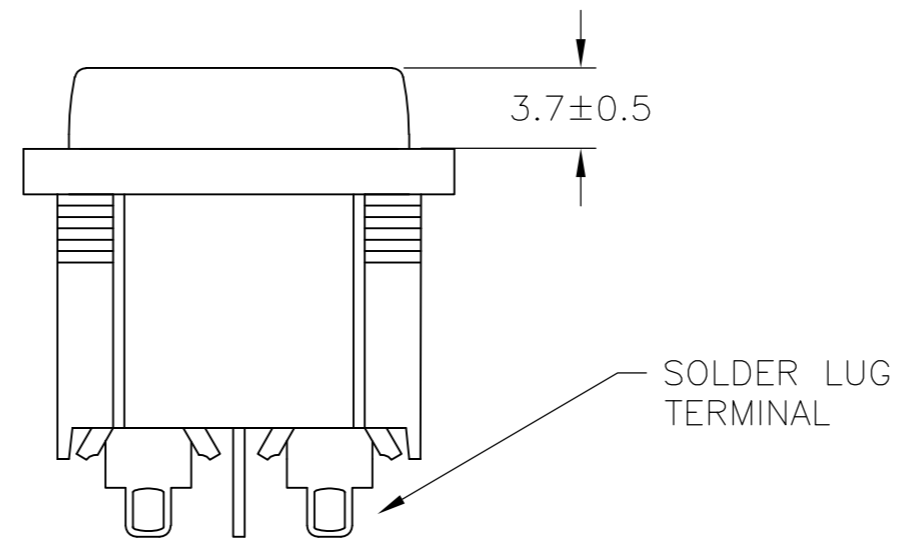
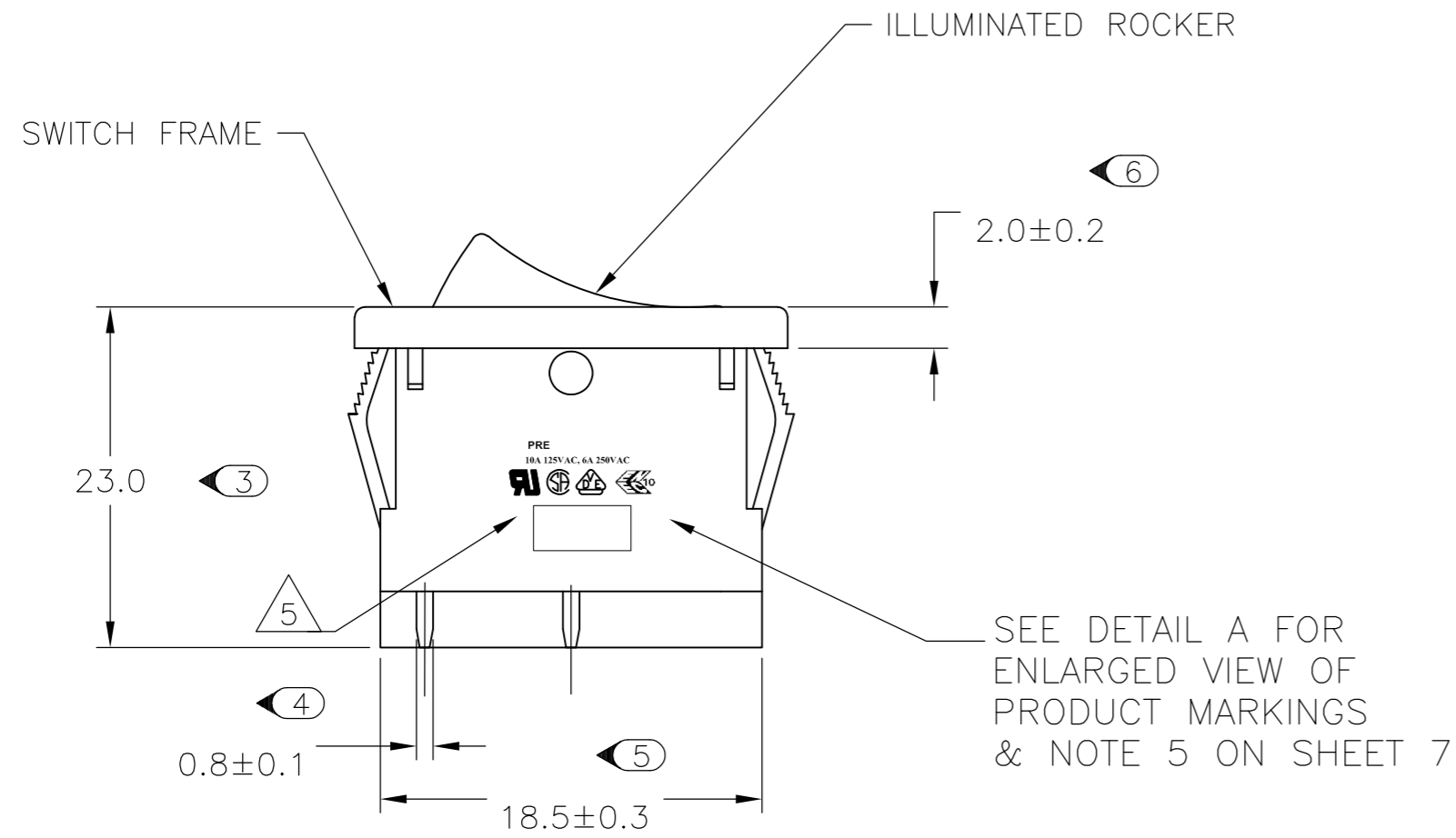
PRE
10A 125VAC, 6A 250VAC

TYCO ELECTRONICS LOGO
PER TEC-202-36

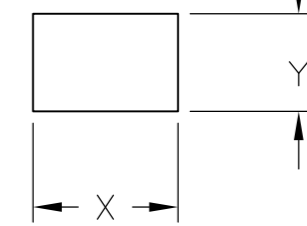
THIS DRAWING IS A CONTROLLED DOCUMENT.		DWN SA008712 2-4-07	Tyco Electronics Corporation Harrisburg, PA 17105-3608	
DIMENSIONS: mm		CHK -	NAME Power Rocker Switch	
TOLERANCES UNLESS OTHERWISE SPECIFIED:		APVD -	19,4mm x 22,2mm Panel Cut Out Size	
0 PLC ± -	1 PLC ± -	PRODUCT SPEC -	Double Pole, Single Throw, NON-Illuminated	
2 PLC ± -	3 PLC ± -	APPLICATION SPEC -	SIZE A2	RESTRICTED TO -
4 PLC ± -	ANGLES ± -	WEIGHT -	CAGE CODE 00779	DRAWING NO C=1634200
MATERIAL -	FINISH -	CUSTOMER DRAWING	SCALE 3:1	SHEET 1 OF 7
			REV D1	

THIS DRAWING IS UNPUBLISHED. RELEASED FOR PUBLICATION
 © COPYRIGHT BY TYCO ELECTRONICS CORPORATION. ALL INTERNATIONAL RIGHTS RESERVED.

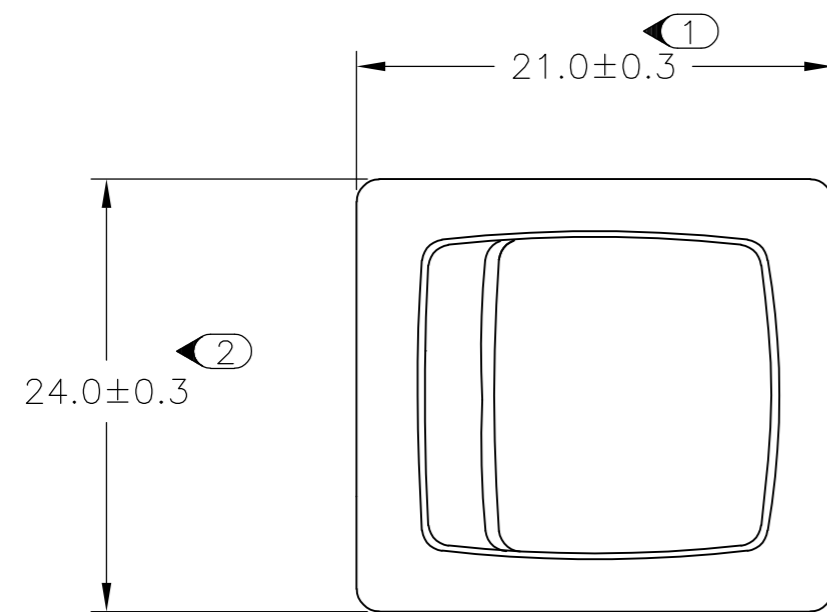
LOC	DIST	REVISIONS			
P	LTR	DESCRIPTION	DATE	DWN	APVD
-	-	SEE SHEET 1	-	-	-



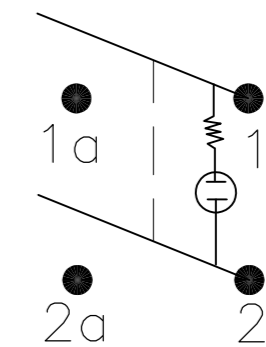
PANEL CUT OUT



2.00-3.00	20.20	22.20
1.25-2.00	19.60	22.20
0.75-1.25	19.40	22.20
PANEL THICKNESS	X	Y

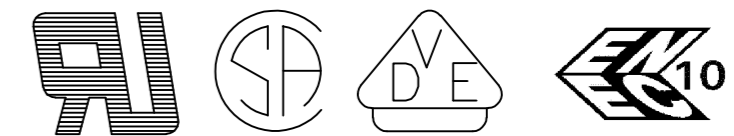


CIRCUIT DIAGRAM



**PRODUCT MARKING
DETAIL A**

**PRE
10A 125VAC, 6A 250VAC**



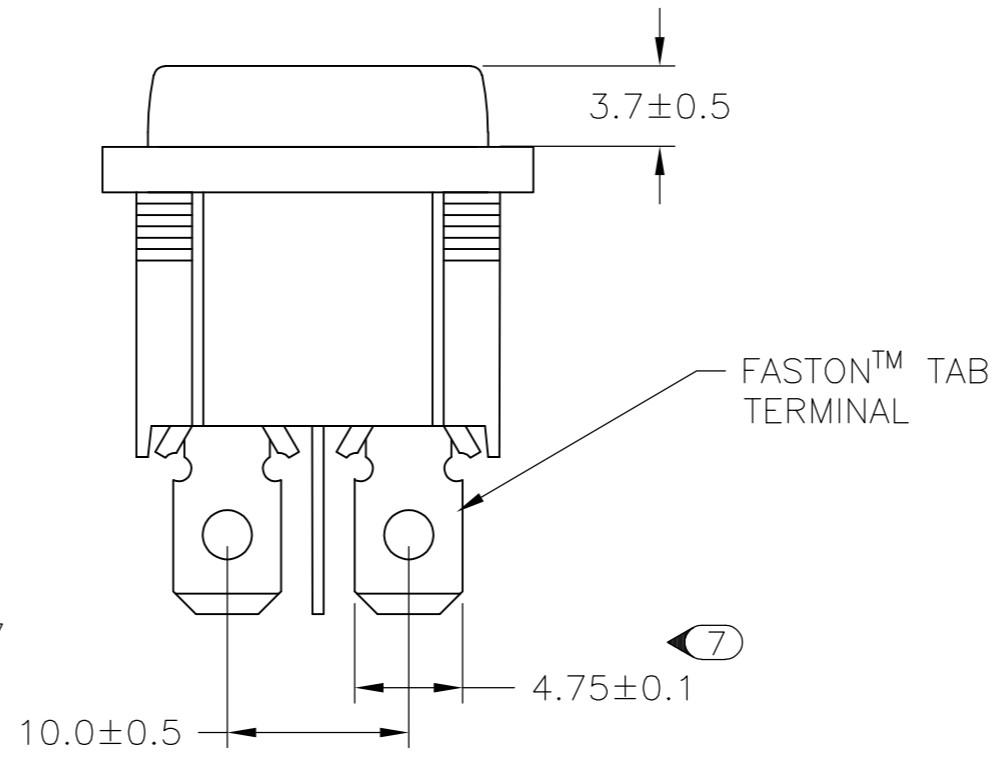
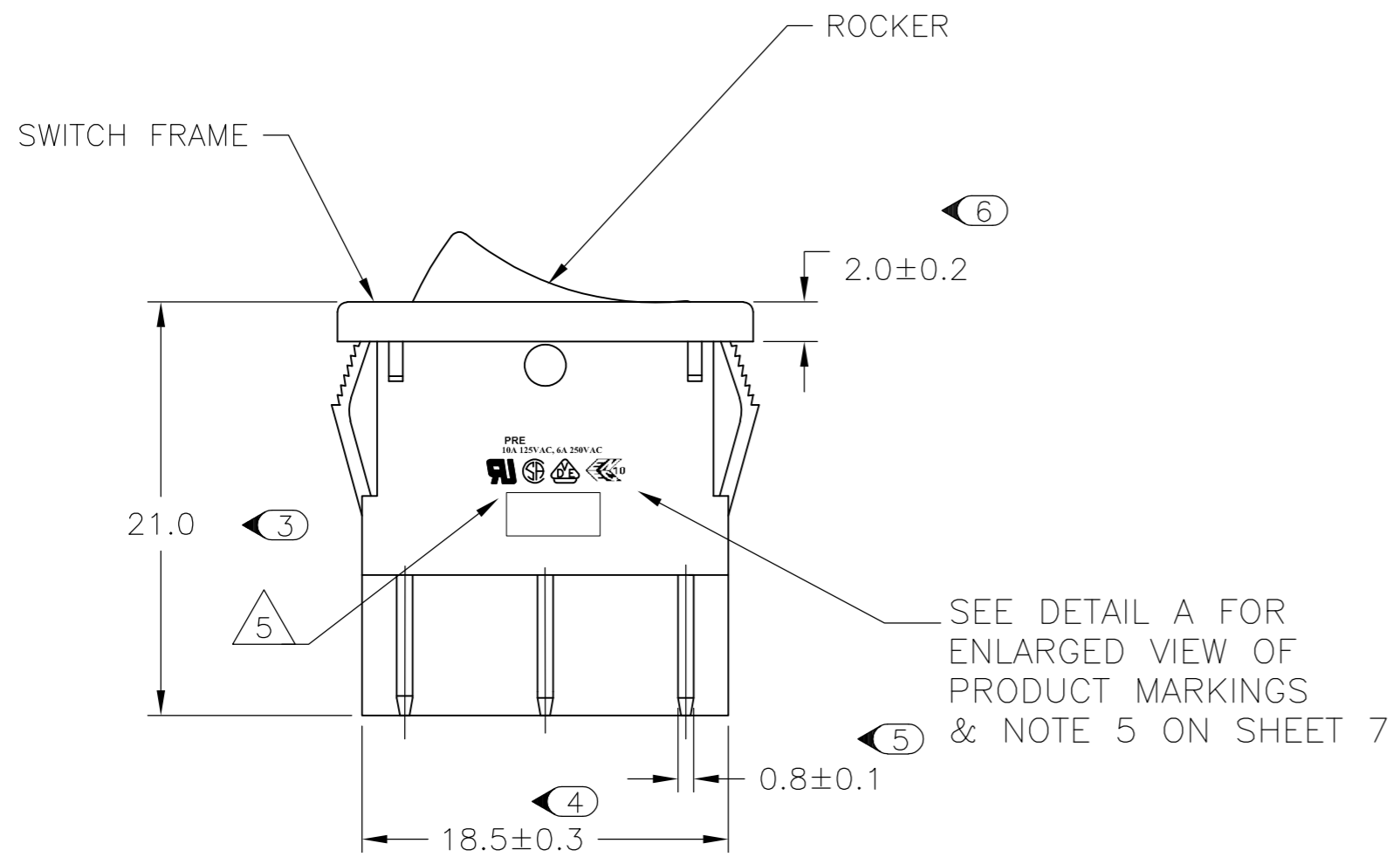
TYCO ELECTRONICS LOGO
PER TEC-202-36

7 1634200-8 SHOWN ON-OFF ILLUMINATED

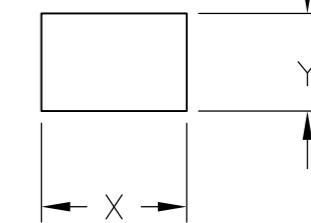
THIS DRAWING IS A CONTROLLED DOCUMENT.		DWN SA008712	2-4-07	Tyco Electronics Corporation Harrisburg, PA 17105-3608	
DIMENSIONS: mm		CHK -	APVD -	NAME Power Rocker Switch 19,4mm x 22,2mm Panel Cut Out Size Double Pole, Single Throw, Illuminated	
TOLERANCES UNLESS OTHERWISE SPECIFIED:		PRODUCT SPEC -	APPLICATION SPEC -	SIZE A2	RESTRICTED TO -
0 PLC ± -		WEIGHT -		CAGE CODE 00779	DRAWING NO C=1634200
1 PLC ± -		MATERIAL -		SCALE 3:1	SHEET 2 of 7
2 PLC ± -		FINISH -		REV D1	
3 PLC ± -					
4 PLC ± -					
ANGLES ± -					
CUSTOMER DRAWING					

THIS DRAWING IS UNPUBLISHED. RELEASED FOR PUBLICATION
 © COPYRIGHT BY TYCO ELECTRONICS CORPORATION. ALL INTERNATIONAL RIGHTS RESERVED.

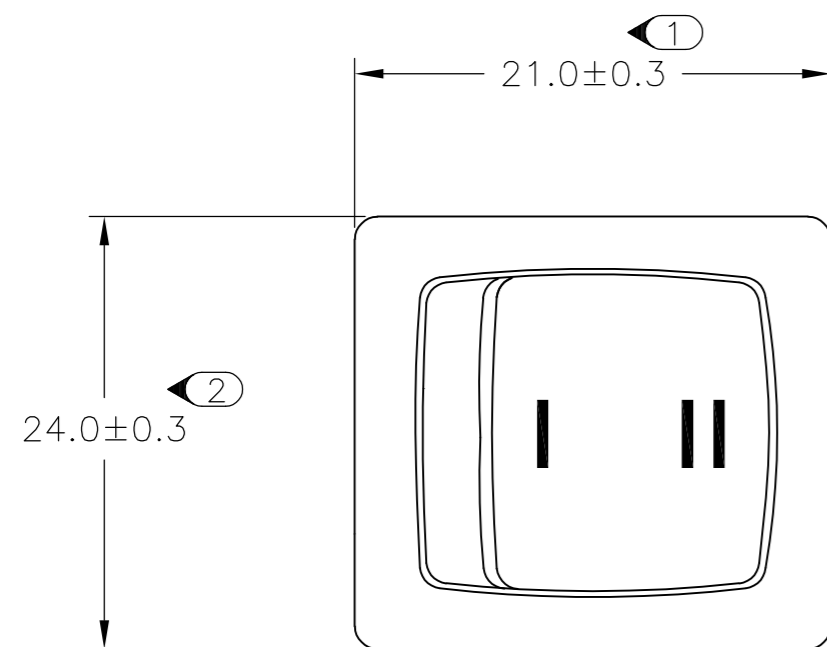
LOC	DIST	REVISIONS			
P	LTR	DESCRIPTION	DATE	DWN	APVD
-	-	SEE SHEET 1	-	-	-



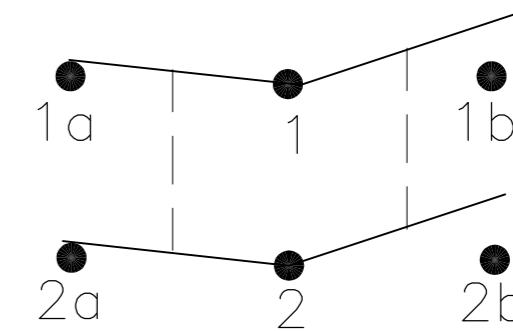
PANEL CUT OUT



2.00-3.00	20.20	22.20
1.25-2.00	19.60	22.20
0.75-1.25	19.40	22.20
PANEL THICKNESS	X	Y

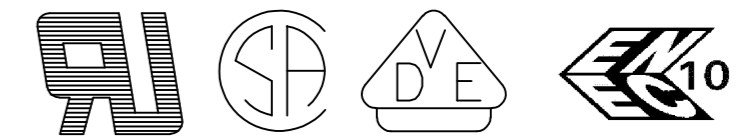


CIRCUIT DIAGRAM



PRODUCT MARKING
 DETAIL A

PRE
 10A 125VAC, 6A 250VAC



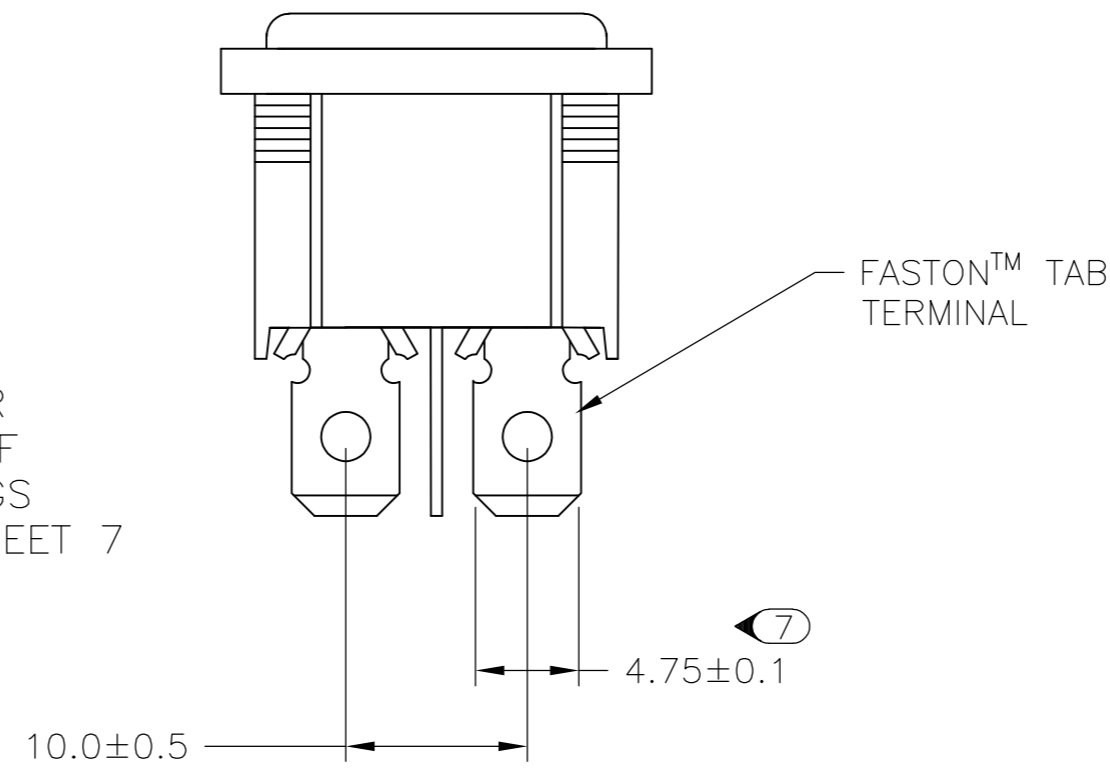
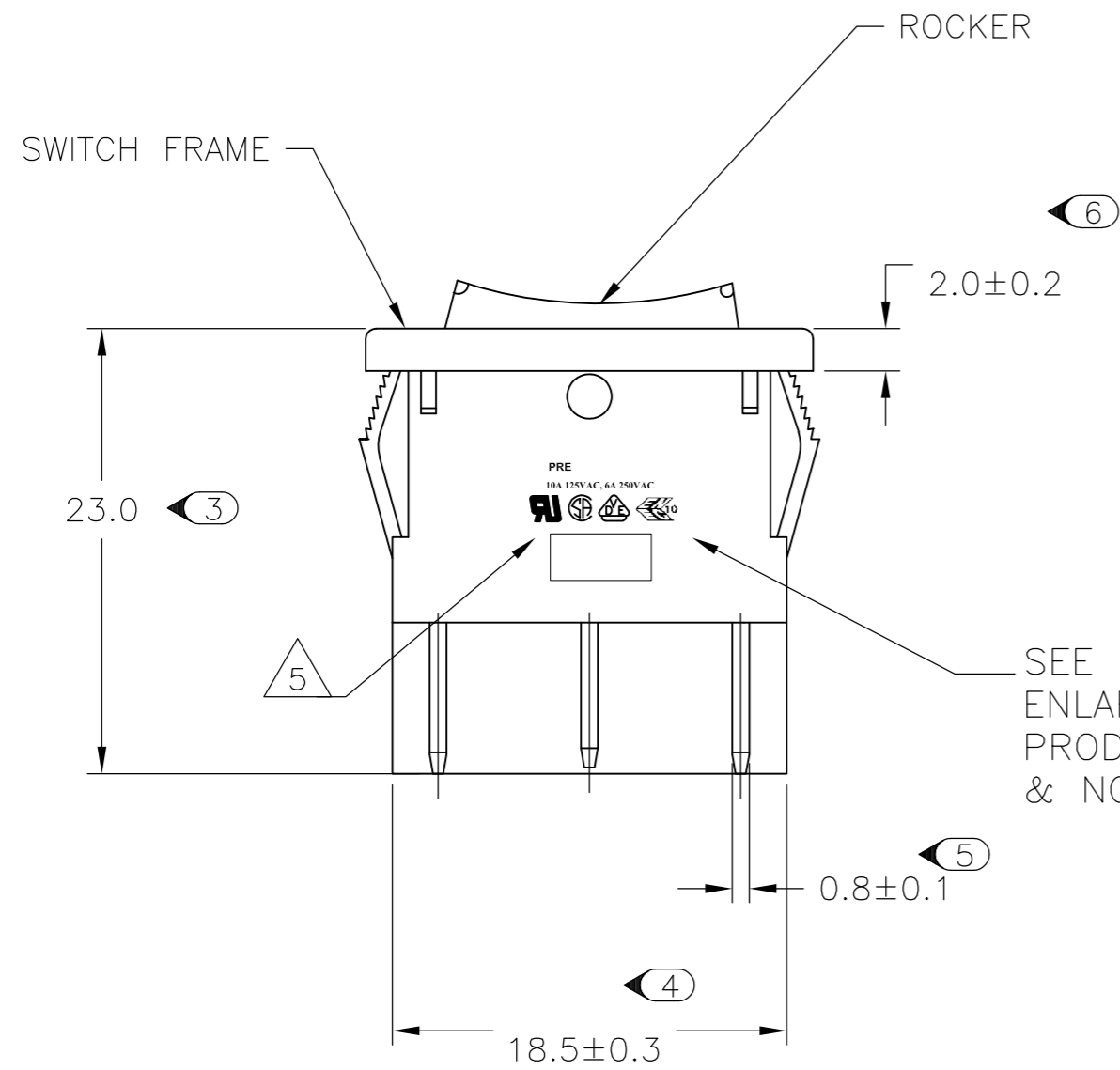
TYCO ELECTRONICS LOGO
 PER TEC-202-36

8 1-1634200-2 SHOWN ON-ON

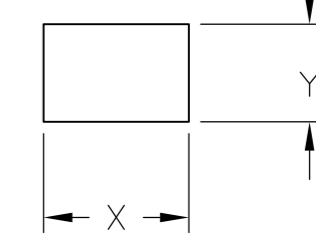
THIS DRAWING IS A CONTROLLED DOCUMENT.		DWN SA008712 2-4-07	Tyco Electronics Corporation Harrisburg, PA 17105-3608	
DIMENSIONS: mm		CHK -	NAME Power Rocker Switch 19,4mm x 22,2mm Panel Cut Out Size Double Pole, NON-Illuminated	
TOLERANCES UNLESS OTHERWISE SPECIFIED:		APVD -	SIZE A2 CAGE CODE 00779 DRAWING NO. C=1634200	
0 PLC ± -		PRODUCT SPEC -	RESTRICTED TO -	
1 PLC ± -		APPLICATION SPEC -	SCALE 3:1 SHEET 3 OF 7 REV D1	
2 PLC ± -		WEIGHT -		
3 PLC ± -				
4 PLC ± -				
ANGLES ± -				
FINISH -				
MATERIAL -		CUSTOMER DRAWING		

THIS DRAWING IS UNPUBLISHED. RELEASED FOR PUBLICATION
 © COPYRIGHT BY TYCO ELECTRONICS CORPORATION. ALL INTERNATIONAL RIGHTS RESERVED.

LOC	DIST	REVISIONS			
P	LTR	DESCRIPTION	DATE	DWN	APVD
-	-	SEE SHEET 1	-	-	-

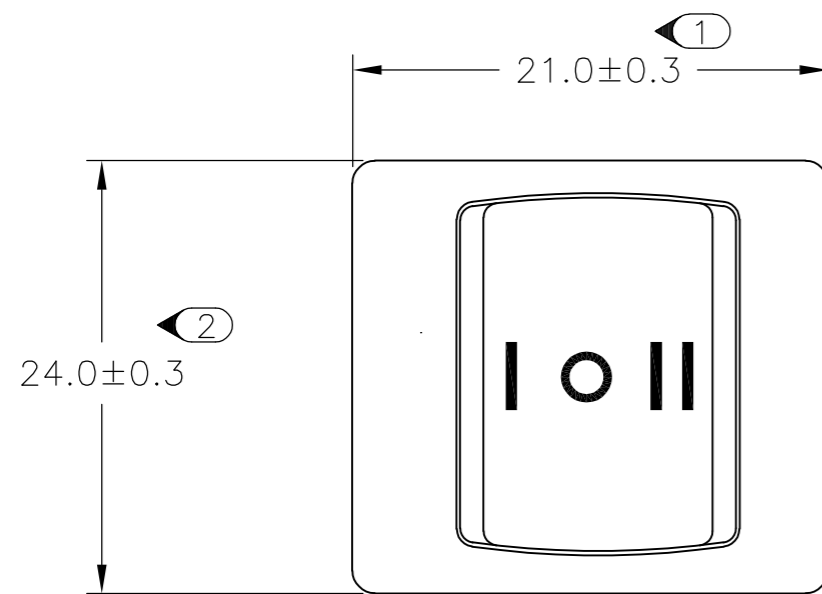


PANEL CUT OUT

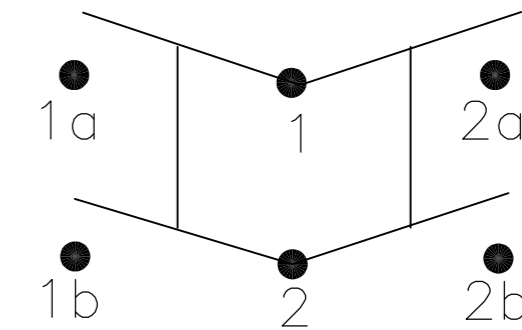


2.00-3.00	20.20	22.20
1.25-2.00	19.60	22.20
0.75-1.25	19.40	22.20
PANEL THICKNESS	X	Y

SEE DETAIL A FOR ENLARGED VIEW OF PRODUCT MARKINGS & NOTE 5 ON SHEET 7



CIRCUIT DIAGRAM



**PRODUCT MARKING
DETAIL A**



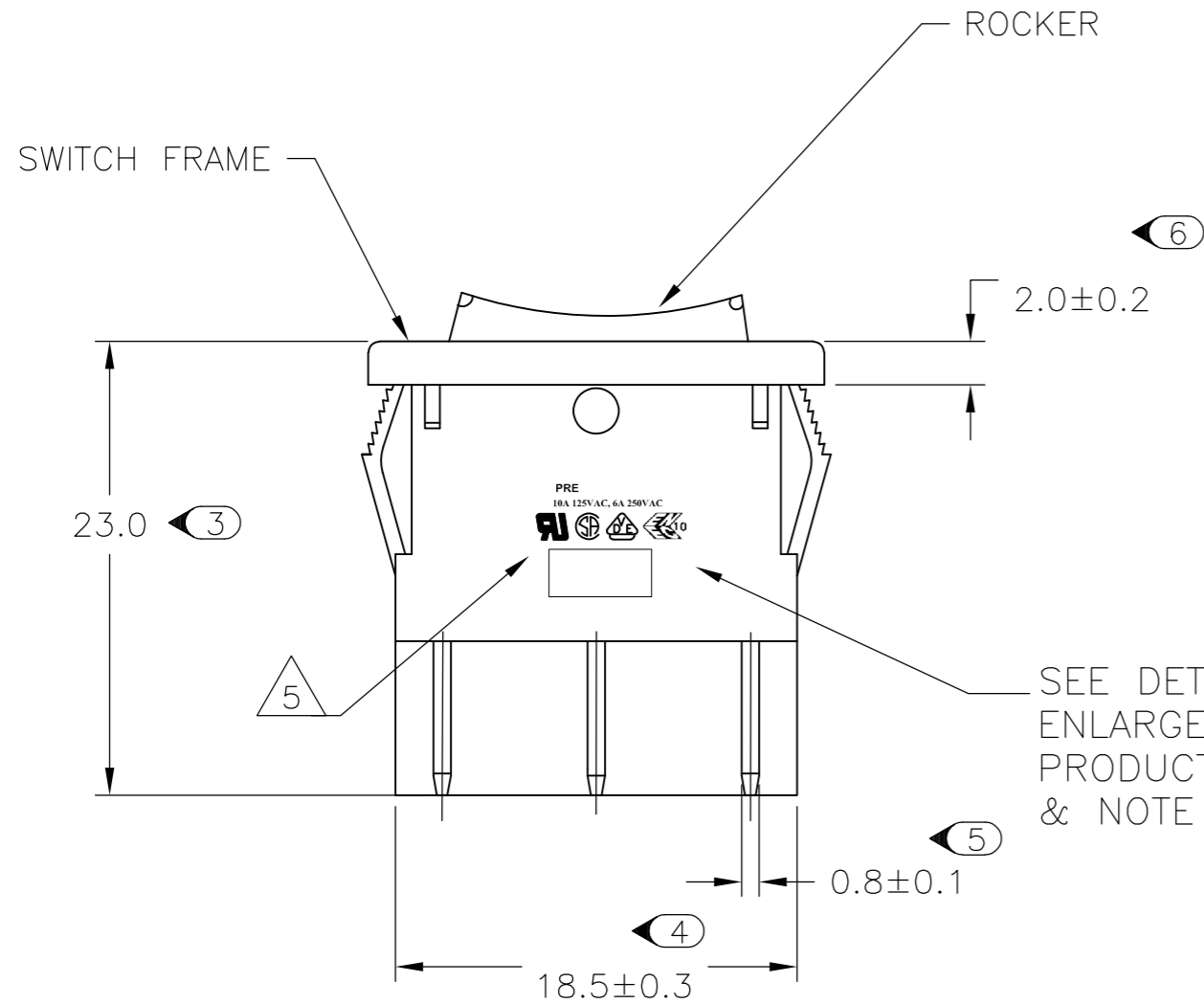
TYCO ELECTRONICS LOGO
PER TEC-202-36

9 1-1634200-7 SHOWN ON-OFF-ON

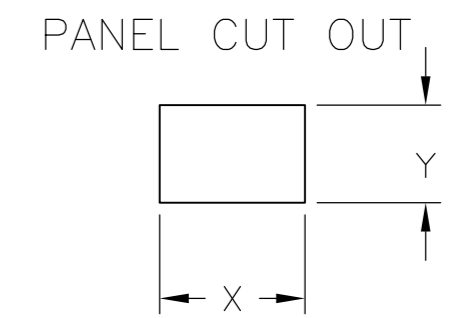
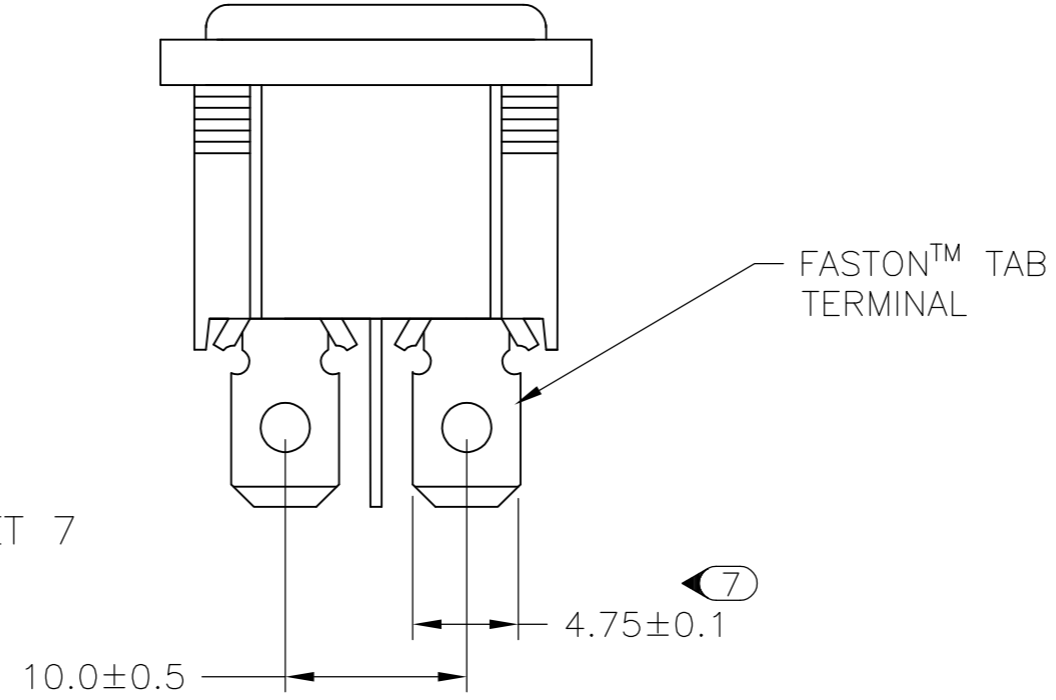
THIS DRAWING IS A CONTROLLED DOCUMENT.		DWN SA008712 2-4-07	Tyco Electronics Corporation Harrisburg, PA 17105-3608	
DIMENSIONS: mm	TOLERANCES UNLESS OTHERWISE SPECIFIED:	CHK -	NAME Power Rocker Switch 19,4mm x 22,2mm Panel Cut Out Size Double Pole, NON-Illuminated	
	0 PLC ± -	APVD -	SIZE A2	RESTRICTED TO -
	1 PLC ± -	PRODUCT SPEC -	CAGE CODE 00779	DRAWING NO C=1634200
	2 PLC ± -	APPLICATION SPEC -	SCALE 3:1	SHEET 4 OF 7
	3 PLC ± -	WEIGHT -	REV D1	
	4 PLC ± -	CUSTOMER DRAWING		
	ANGLES ± -			
MATERIAL -	FINISH -			

THIS DRAWING IS UNPUBLISHED. RELEASED FOR PUBLICATION
 © COPYRIGHT BY TYCO ELECTRONICS CORPORATION. ALL INTERNATIONAL RIGHTS RESERVED.

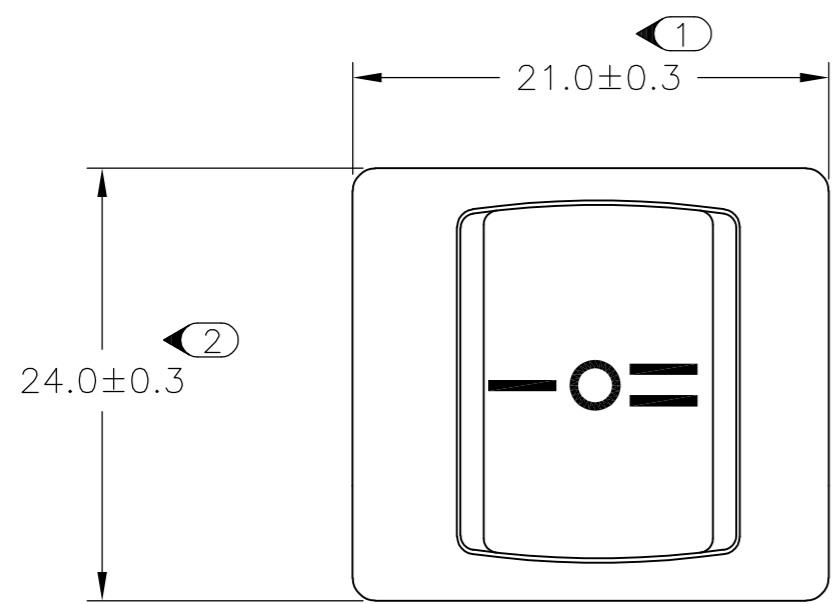
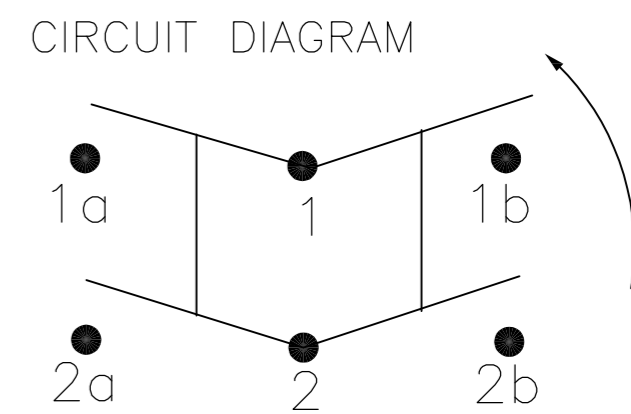
LOC	DIST	REVISIONS			
P	LTR	DESCRIPTION	DATE	DWN	APVD
-	-	SEE SHEET 1	-	-	-



SEE DETAIL A FOR ENLARGED VIEW OF PRODUCT MARKINGS & NOTE 5 ON SHEET 7

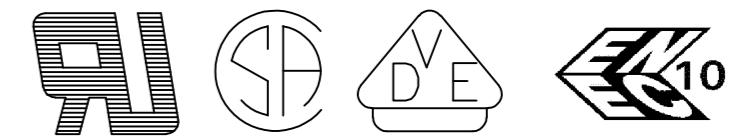


2.00-3.00	20.20	22.20
1.25-2.00	19.60	22.20
0.75-1.25	19.40	22.20
PANEL THICKNESS	X	Y



**PRODUCT MARKING
DETAIL A**

**PRE
10A 125VAC, 6A 250VAC**



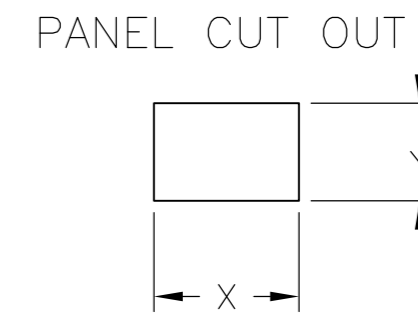
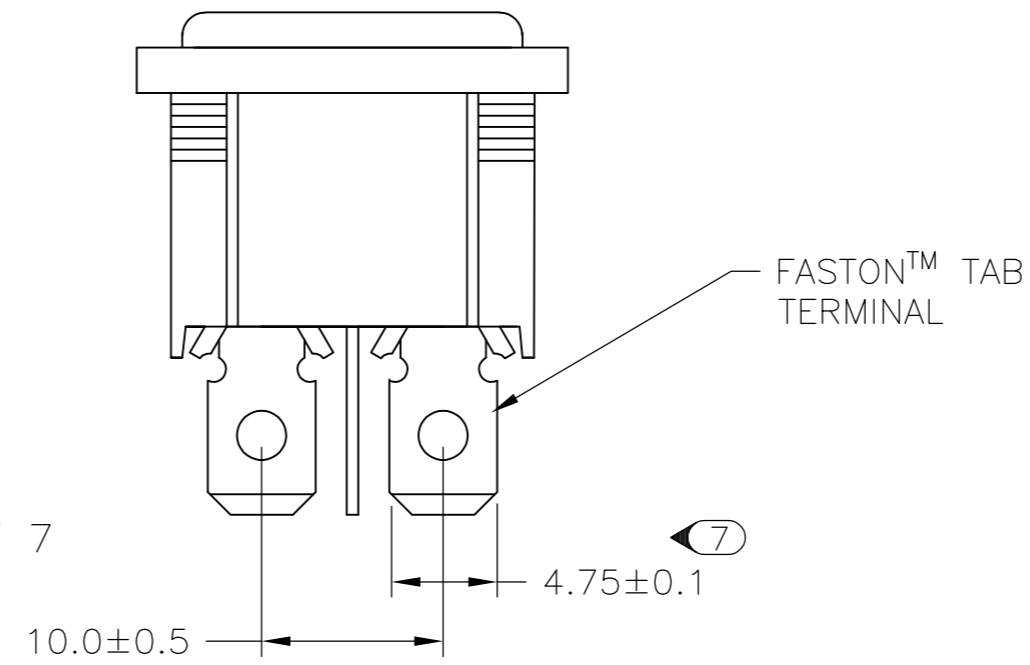
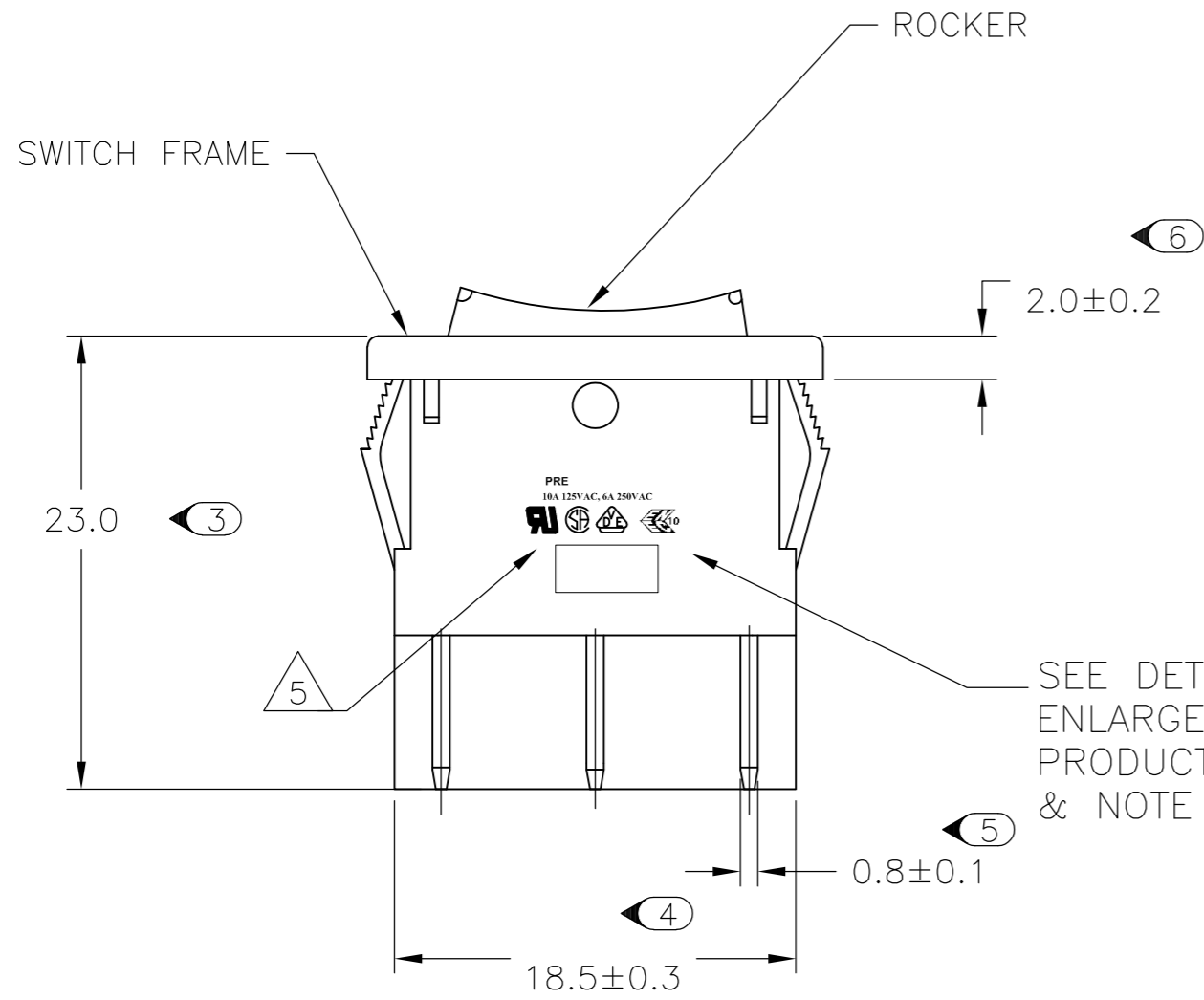
TYCO ELECTRONICS LOGO
PER TEC-202-36

10 2-1634200-3 SHOWN ON-OFF-(ON)

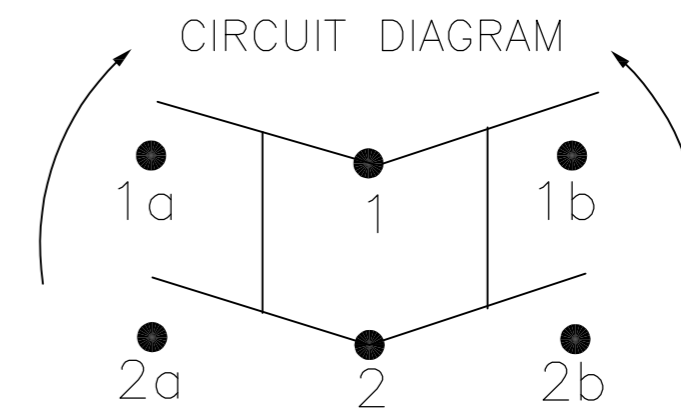
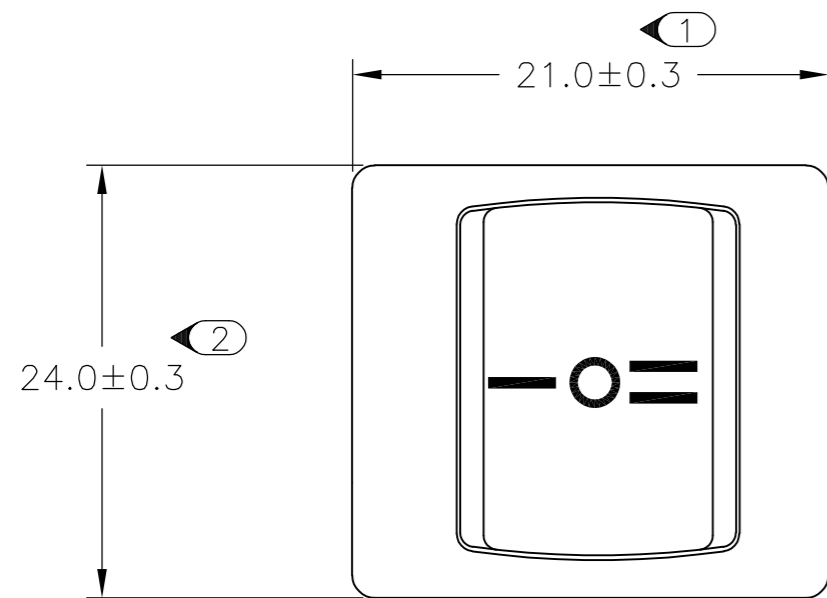
THIS DRAWING IS A CONTROLLED DOCUMENT.		DWN SA008712 2-4-07	Tyco Electronics Corporation Harrisburg, PA 17105-3608	
DIMENSIONS: mm		CHK -	NAME Power Rocker Switch 19,4mm x 22,2mm Panel Cut Out Size Double Pole, NON-Illuminated	
TOLERANCES UNLESS OTHERWISE SPECIFIED:		APVD -	SIZE A2 CAGE CODE 00779 DRAWING NO C=1634200	
0 PLC ± -		PRODUCT SPEC -	RESTRICTED TO -	
1 PLC ± -		APPLICATION SPEC -	SCALE 3:1 SHEET 5 OF 7 REV D1	
2 PLC ± -		WEIGHT -		
3 PLC ± -		CUSTOMER DRAWING		
4 PLC ± -				
ANGLES ± -				
FINISH -				

THIS DRAWING IS UNPUBLISHED. RELEASED FOR PUBLICATION
 © COPYRIGHT BY TYCO ELECTRONICS CORPORATION. ALL INTERNATIONAL RIGHTS RESERVED.

LOC	DIST	REVISIONS			
P	LTR	DESCRIPTION	DATE	DWN	APVD
-	-	SEE SHEET 1	-	-	-

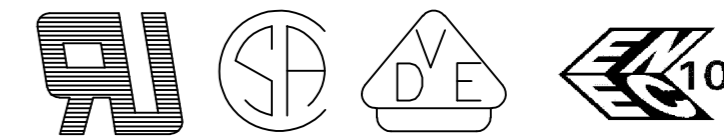


2.00-3.00	20.20	22.20
1.25-2.00	19.60	22.20
0.75-1.25	19.40	22.20
PANEL THICKNESS	X	Y



**PRODUCT MARKING
DETAIL A**

**PRE
10A 125VAC, 6A 250VAC**



TYCO ELECTRONICS LOGO
PER TEC-202-36

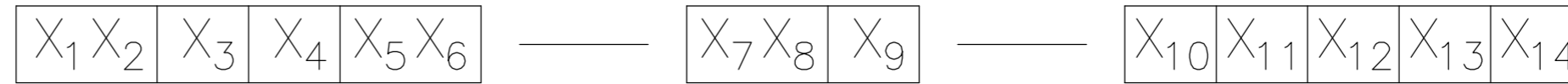
11 2-1634200-6 SHOWN (ON)-OFF-(ON)

THIS DRAWING IS A CONTROLLED DOCUMENT.		DWN SA008712 2-4-07	Tyco Electronics Corporation Harrisburg, PA 17105-3608	
DIMENSIONS: mm	TOLERANCES UNLESS OTHERWISE SPECIFIED:	CHK -	NAME Power Rocker Switch 19,4mm x 22,2mm Panel Cut Out Size Double Pole, NON-Illuminated	
	0 PLC ± -	APVD -	SIZE A2	RESTRICTED TO -
	1 PLC ± -	PRODUCT SPEC -	CAGE CODE 00779	DRAWING NO C=1634200
	2 PLC ± -	APPLICATION SPEC -	SCALE 3:1	SHEET 6 OF 7
	3 PLC ± -	WEIGHT -	REV D1	
	4 PLC ± -	CUSTOMER DRAWING		
	ANGLES ± -			
MATERIAL -	FINISH -			

THIS DRAWING IS UNPUBLISHED. RELEASED FOR PUBLICATION
 © COPYRIGHT BY TYCO ELECTRONICS CORPORATION. ALL INTERNATIONAL RIGHTS RESERVED.

LOC	DIST	REVISIONS					
IF	-	P	LTR	DESCRIPTION	DATE	DWN	APVD
		-		SEE SHEET 1	-	-	-

ALCOSWITCH PART NUMBER

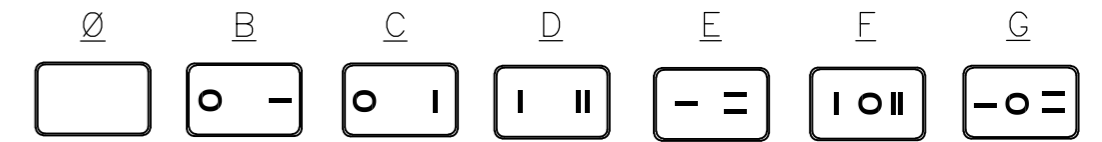


- 1 MATERIALS:
HOUSING FRAME: NYLON 66.
ACTUATOR: NYLON 66/ PC(ILLUMINATED)
TERMINALS C1100R-1/2H WITH SILVER PLATED CONTACTS
AgALLOY
- 2 FINISH:
TERMINAL, ACTIVE CONTACTOR: 1.0µm [.000039] SILVER
PLUNGER: 3.0µm[.000118] NICKEL
- 3 ELECTRICAL SPECIFICATIONS:
CONTACT RESISTANCE : 50m ohm Max
DIELECTRIC STRENGTH : AC 1500V, 1 MINUTE
OPERATION TEMPERATURE: -20°C~85°C
INSULATION R: DC 500V 100M ohm MIN
- 4 CURRENT AND VOLTAGE 10A@125VAC/6A@250VAC
- 5 ELECTRICAL RATINGS, APPROVED AGENCY LOGOS,
TE LOGO PER TEC-202-36 APPROXIMATELY AS SHOWN
AND PART NUMBER CAN APPEAR ON EITHER SIDE
(FOR FULL DETAIL SEE INDIVIDUAL DRAWING)
- 6 ON-OFF, WITH OPAQUE, SINGLE-COLOR ROCKER BUTTON.
- 7 ON-OFF, WITH TRANSPARENT, LAMP-ILLUMINATED ROCKER
BUTTON.
- 8 ON-ON, WITH OPAQUE, SINGLE-COLOR ROCKER BUTTON.
- 9 ON-OFF-ON, WITH OPAQUE, SINGLE-COLOR ROCKER BUTTON.
- 10 ON-OFF-(ON), WITH OPAQUE, SINGLE-COLOR ROCKER
BUTTON.
- 11 (ON)-OFF-(ON), WITH OPAQUE, SINGLE-COLOR ROCKER
BUTTON.
- 12 REFER TO QIP DIMENSIONAL REPORT
- 13 2002/95/EC/(RoHS) COMPLIANT

SWITCH TYPE: X1X2 = PR - POWER ROCKER
 NOMINAL PANEL CUT OUT SIZE: X3 = E - 19.4X22.2 [.764x.874]
 NUMBER OF POLES: X4 = D - DOUBLE
 SWITCH FUNCTION: X5X6 = A1 -
B1 -
D1 -
D3 -
D4 -
D5 -
 CURRENT RATING: X7X8 = OZ -
 TERMINAL TYPE: X9 = F - FASTON™ TAB
L - SOLDER LUG
 FRAME COLOR: X10 = B - BLACK
W - WHITE
 ROCKER COLOR: X11 = B - BLACK
G - GREEN
R - RED
W - WHITE

SECONDARY ROCKER COLOR: X12 = Ø - NOT APPLICABLE
B - BLACK
G - GREEN
R - RED
W - WHITE

LEGEND TEXT PATTERN: X13 =



LEGEND TEXT COLOR: X14 = Ø - NOT APPLICABLE
G - GREEN
R - RED
B - BLACK
W - WHITE

1	PREDA1-07F-BB000	1634200-1
1	PREDA1-07F-BB0BW	1634200-2
1	PREDA1-07F-BB0CW	1634200-3
1	PREDA1-07L-BB000	1634200-4
1	PREDA1-07L-BB0BW	1634200-5
1	PREDA1-07L-BB0CW	1634200-6
2	PREDB1-07F-BR000	1634200-7
2	PREDB1-07L-BR000	1634200-8
2	PREDB1-07F-BG000	1634200-9
2	PREDB1-07L-BG000	1-1634200-0
3	PREDD1-07F-BB000	1-1634200-1
3	PREDD1-07F-BB0DW	1-1634200-2
3	PREDD1-07F-BB0EW	1-1634200-3
3	PREDD1-07L-BB000	1-1634200-4
3	PREDD1-07L-BB0DW	1-1634200-5
3	PREDD1-07L-BB0EW	1-1634200-6
4	PREDD3-07F-BB0FW	1-1634200-7
4	PREDD3-07F-BB0GW	1-1634200-8
4	PREDD3-07L-BB0FW	1-1634200-9
4	PREDD3-07L-BB0GW	2-1634200-0
5	PREDD4-07F-BB000	2-1634200-1
5	PREDD4-07F-BB0FW	2-1634200-2
5	PREDD4-07F-BB0GW	2-1634200-3
6	PREDD5-07F-BB000	2-1634200-4
6	PREDD5-07F-BB0FW	2-1634200-5
6	PREDD5-07F-BB0GW	2-1634200-6
SHEET REF	ALCOSWITCH PART NUMBER.	TE PART NUMBER.

THIS DRAWING IS A CONTROLLED DOCUMENT.		DWN SA008712 2-4-07	Tyco Electronics Corporation Harrisburg, PA 17105-3608	
DIMENSIONS: mm		CHK -	NAME Power Rocker Switch 19,4mm x 22,2mm Panel Cut Out Size	
TOLERANCES UNLESS OTHERWISE SPECIFIED:		APVD -	SIZE CAGE CODE DRAWING NO RESTRICTED TO	
0 PLC ± -		PRODUCT SPEC -	A2 00779 C=1634200 -	
1 PLC ± -		APPLICATION SPEC -	SCALE 3:1 SHEET 7 OF 7 REV D1	
2 PLC ± -		WEIGHT -		
3 PLC ± -		CUSTOMER DRAWING		
4 PLC ± -				
ANGLES ± -				
MATERIAL -				
FINISH -				