

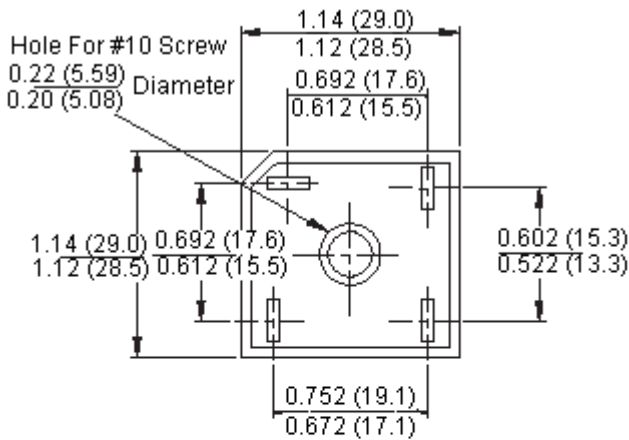
# GBPC40,50- Series



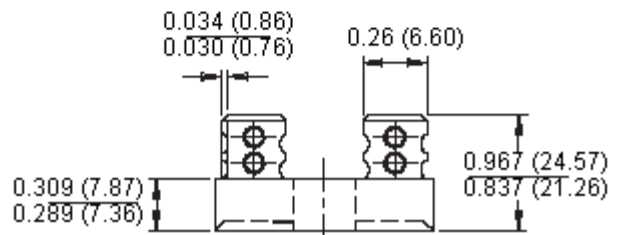
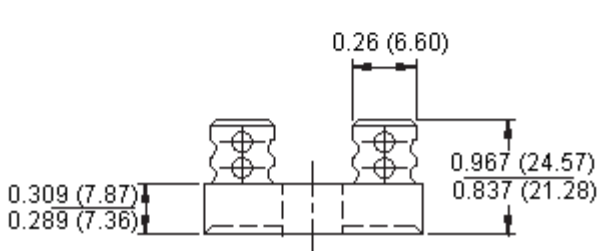
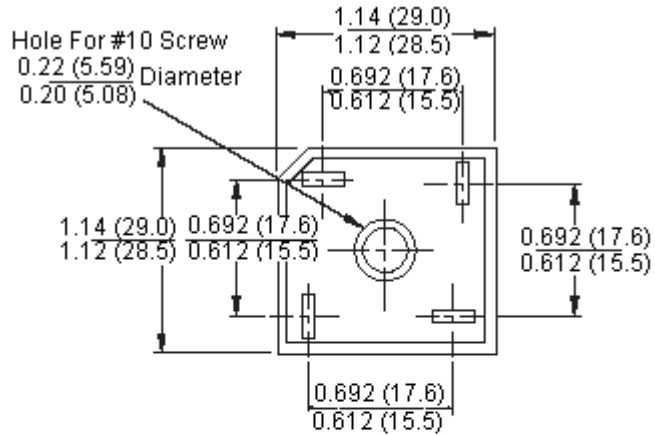
## Features:

- Glass passivated junction.
- Plastic material.
- Integrally moulded heatsink provide very low thermal resistance for maximum heat dissipation.
- Universal 4-way terminals; snap-on, wrap-around, solder or PC board mounting
- Surge overload ratings 400 amperes.
- Terminals solderable per MIL-STD-202, Method 208.
- Typical  $I_R$  less than  $0.2\mu A$ .
- High temperature soldering guaranteed:  $260^\circ C/10$  seconds/ $0.375$  inch, ( $9.5mm$ ) lead lengths.
- Isolated voltage from case to lead over 2500 volts.

**GBPC40**



**GBPC40-M**



Dimensions: Inches (Millimetres)



## Maximum Ratings and Electrical Characteristics

Rating at 25°C ambient temperature unless otherwise specified.

Single phase, half wave, 60Hz, resistive or inductive load.

For capacitive load, derate current by 20%.

Type Number	Symbol	-01	-04	-08	-10	Unit
Maximum Recurrent Peak Reverse Voltage	$V_{RRM}$	100	400	800	1000	V
Maximum RMS Voltage	$V_{RMS}$	70	280	560	700	
Maximum DC Blocking Voltage	$V_{DC}$	100	400	800	1000	
Maximum Average Forward Rectified Current at $T_C = 55^\circ\text{C}$	GBPC40 GBPC50 $I_{(AV)}$	40.0 50.0				A
Peak Forward Surge Current, Single Sine-wave Superimposed on Rated Load (JEDEC method )	GBPC40 GBPC50 $I_{FSM}$	400 400				
Maximum Instantaneous Forward Voltage Drop Per Element at Specified Current	GBPC40 at 20A GBPC50 at 25A $V_F$	1.1				V
Maximum DC Reverse Current at Rated DC Blocking Voltage Per Element	$I_R$	10				mW
Typical Thermal Resistance (Note 1)	$R_{\theta JC}$	1.5				°C/W
Operating and Storage Temperature Range	$T_J, T_{STG}$	-50 to +150				°C

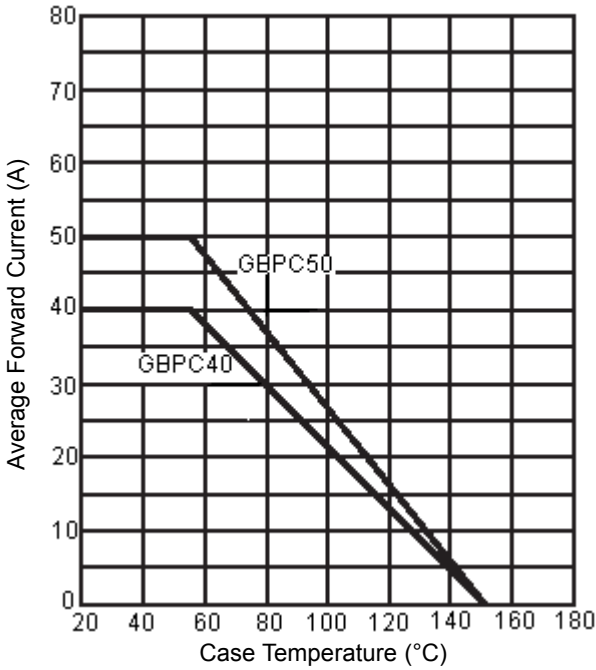
Notes: 1. Thermal Resistance from Junction to Case.

# GBPC40,50- Series

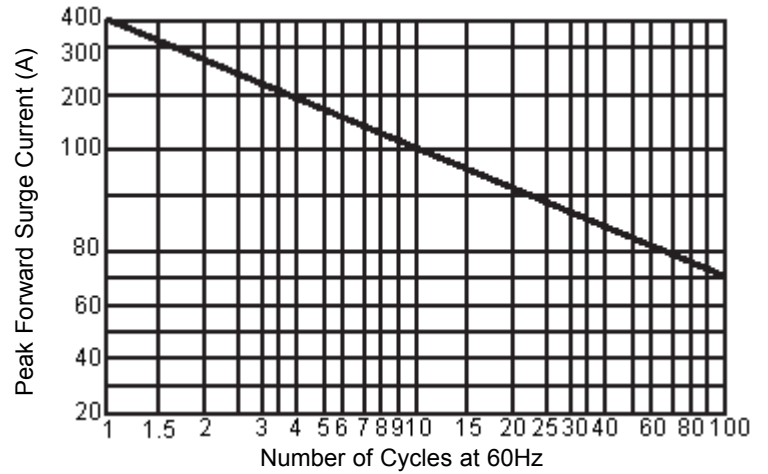


## Ratings and Characteristic Curves (GBPC5001, GBPC5004, GBPC5008, GBPC5010)

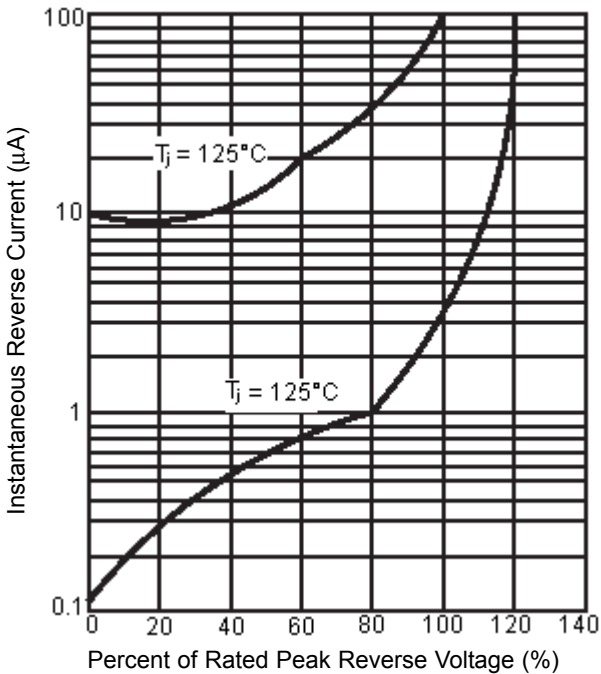
Maximum Forward Current Derating Curve



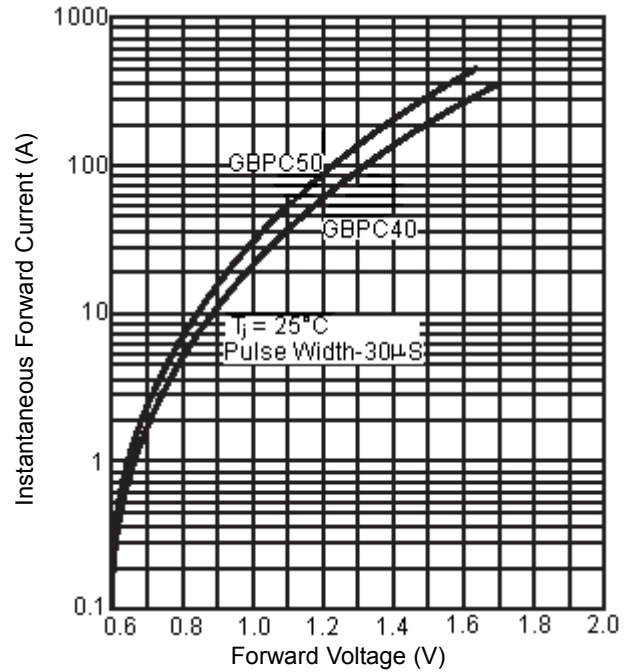
Maximum Non-Repetitive Forward Surge Current



Typical Reverse Characteristics Per Bridge Element



Typical Forward Characteristics Per Bridge Element



# GBPC40,50- Series



## Part Number Table

Description	Part Number
Bridge Rectifier, 50A, 100V	GBPC5001
Bridge Rectifier, 50A, 400V	GBPC5004
Bridge Rectifier, 50A, 800V	GBPC5008
Bridge Rectifier, 50A, 1000V	GBPC5010



# GBPC40,50- Series



## Notes:

## International Sales Offices:



### AUSTRALIA - Farnell

Tel No: ++61 1300 361 005  
Fax No: ++61 1300 361 225



### FINLAND - Farnell

Tel No: ++ 358 9 560 7780  
Fax No: ++ 358 9 345 5411



### ITALY - Farnell

Tel No: ++ 39 02 93 995 200  
Fax No: ++ 39 02 93 995 300



### SPAIN - Farnell

Tel No: 901 20 20 80  
Fax No: 901 20 20 90



### AUSTRIA - Farnell

Tel No: ++ 43 662 2180 680  
Fax No: ++ 43 662 2180 670



### FRANCE - Farnell

Tel No: ++ 33 474 68 99 99  
Fax No: ++ 33 474 68 99 90



### MALAYSIA - Farnell-Newark

Tel No: ++ 60 3 7873 8000  
Fax No: ++ 60 3 7873 7000



### SWEDEN - Farnell

Tel No: ++ 46 8 730 50 00  
Fax No: ++ 46 8 83 52 62



### BELGIUM - Farnell

Tel No: ++ 32 3 475 2810  
Fax No: ++ 32 3 227 3648



### GERMANY - Farnell

Tel No: ++ 49 89 61 39 39 39  
Fax No: ++ 49 89 613 59 01



### NETHERLANDS - Farnell

Tel No: ++ 31 30 241 7373  
Fax No: ++ 31 30 241 7333



### SWITZERLAND - Farnell

Tel No: ++ 44 204 64 64  
Fax No: ++ 44 204 64 54



### BRAZIL - Farnell-Newark

Tel No: ++ 55 11 4066 9400  
Fax No: ++ 55 11 4066 9410



### HONG KONG - Farnell-Newark

Tel No: ++ 852 2268 9888  
Fax No: ++ 852 2268 9899



### NEW ZEALAND - Farnell

Tel No: 0800 90 80 80  
Fax No: 0800 90 80 81



### UK - Farnell

Tel No: ++ 44 8701 200 200  
Fax No: ++ 44 8701 200 201



### CHINA - Farnell-Newark

Tel No: ++86 10 6238 5152  
Fax No: ++86 10 6238 5022



### HUNGARY - Farnell

Tel No: ++ 44 870 1200 208  
Fax No: ++ 44 870 1200 209



### NORWAY - Farnell

Tel No: 800 146 70  
Fax No: 800 146 76



### UK - CPC

++ 44 8701 202 530  
++ 44 8701 202 531



### CZECH REPUBLIC - Farnell

Tel No: ++ 44 870 1200 208  
Fax No: ++ 44 870 1200 209



### INDIA - Farnell

Tel No: ++ 44 870 1200 208  
Fax No: ++ 44 870 1200 209



### PORTUGAL - Farnell

Tel No: ++ 34 93 475 8804  
Fax No: ++ 34 93 474 5288



### USA - Newark

Tel No: 800 463 9275



### DENMARK - Farnell

Tel No: ++ 45 44 53 66 44  
Fax No: ++ 45 44 53 66 06



### IRELAND - Farnell

Tel No: ++ 353 1 830 9277  
Fax No: ++ 353 1 830 9016



### RUSSIA - Farnell

Tel No: ++ 44 870 1200 208  
Fax No: ++ 44 870 1200 209



### EXPORT - Farnell

Tel No: ++ 44 8701 200 208  
Fax No: ++ 44 8701 200 209

For enquiries from all other markets



### ESTONIA - Farnell

Tel No: ++ 358 9 560 7780  
Fax No: ++ 358 9 345 5411



### ISRAEL - Farnell

Tel No: ++ 180 937 0015  
Fax No: ++ 180 937 0014



### SINGAPORE - Farnell-Newark

Tel No: ++ 65 6788 0200  
Fax No: ++ 65 6788 0300

<http://www.farnell.com>

<http://www.newark.com>

<http://www.cpc.co.uk>

**Disclaimer** This data sheet and its contents (the "Information") belong to the Premier Farnell Group (the "Group") or are licensed to it. No licence is granted for the use of it other than for information purposes in connection with the products to which it relates. No licence of any intellectual property rights is granted. The Information is subject to change without notice and replaces all data sheets previously supplied. The Information supplied is believed to be accurate but the Group assumes no responsibility for its accuracy or completeness, any error in or omission from it or for any use made of it. Users of this data sheet should check for themselves the Information and the suitability of the products for their purpose and not make any assumptions based on information included or omitted. Liability for loss or damage resulting from any reliance on the Information or use of it (including liability resulting from negligence or where the Group was aware of the possibility of such loss or damage arising) is excluded. This will not operate to limit or restrict the Group's liability for death or personal injury resulting from its negligence. SPC Multicomp is the registered trademark of the Group. © Premier Farnell plc 2008.

