

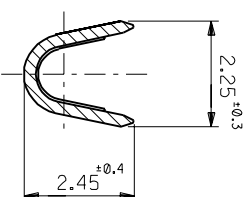
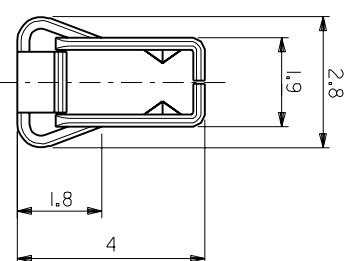
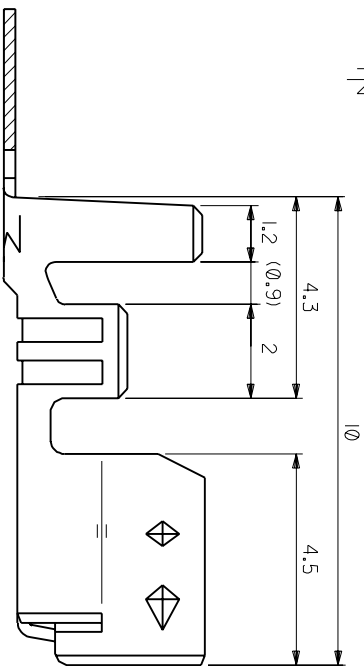
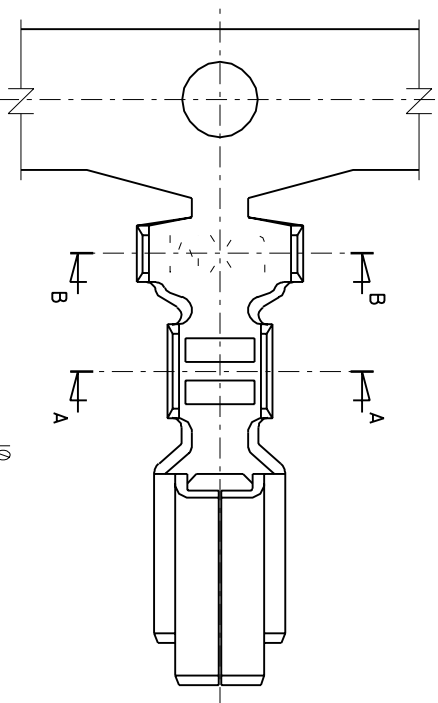
**注記 NOTES**  
 I. 適合ハウジング: 51144-\*\*00  
 APPLICABLE HOUSING: 51144-\*\*00

リン青銅, 錫メッキ PHOS. BRO. PRE-TINNED (t=0.254)	50539-8100	バラ状 Loose
	50539-8000	連鎖状 CHAIN
黄銅, 錫メッキ BRASS PRE-TINNED (t=0.254)	50539-9101	バラ状 Loose
	50539-9001	連鎖状 CHAIN
材料 MATERIAL	MATERIAL NO.	端子形状 FORM

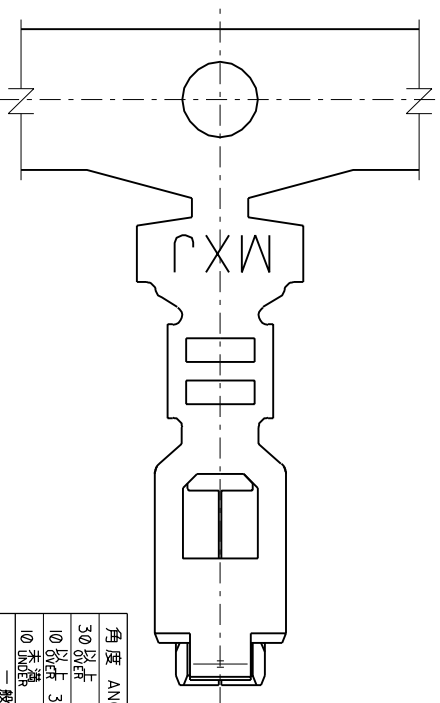
REVISED EC NO: J2005-4778 DRAWN: NABEI 2004/12/16 CHKD: KTOJO 2004/12/17 APPR: NUKITA 2004/12/23	GENERAL TOLERANCES (UNLESS SPECIFIED)		DIMENSION STYLE MM ONLY		SCALE ---	DESIGN UNITS METRIC	THIRD ANGLE PROJECTION
	10 UNDER	±0.2	DRAWN BY TNIITSU	DATE '94/11/7	TITLE 3.96 WIRE TO BOARD CONN CRIMP RECEPTACLE		
	10 OVER 30 UNDER	±0.25	CHECKED BY SKUNISHI	DATE '95/07/28	APPROVED BY MFUKUSHIMA		
	30 OVER	±0.3	APPROVED BY MFUKUSHIMA	DATE '95/07/28	MATERIAL NO. SEE CHART		
	ANGULAR ±3 °	DRAFT WHERE APPLICABLE MUST REMAIN WITHIN DIMENSIONS		DOCUMENT NO. SD-50539-****		SHEET NO. 1 OF 1	
		THIS DRAWING CONTAINS INFORMATION THAT IS PROPRIETARY TO MOLEX INCORPORATED AND SHOULD NOT BE USED WITHOUT WRITTEN PERMISSION					

DWG. NO.  
SD-50539-\*\*\*\*

MM DIMENSIONS IN METRIC DO NOT SCALE DRAWING



SECT.A-A



角度	ANGLE	°
30 以下		±30
10 以下	30 未満	±0.3
10 以下	30 未満	±0.25
10 以下	30 未満	±0.2

記号	内容	DR.	CHK.	DATE
A	変更 (JIC00058) 寸法 94/127			
0	新製作 (J40087) 寸法 94/127			

材料	MATERIAL
仕上げ	
適用電線範囲	適用電線範囲 AWG#18 ~
被覆外径	被覆外径 φ1.4 ~ φ3
INS. RANGE	INS. RANGE
APP'D BY	APP'D BY 95/11/28 尺屋
M.FUKUSHIMA	M.FUKUSHIMA
SCALE	SCALE

1-1 黄銅・鍍金  
PHOS. BRO. PRE  
(1 ± 0.25)  
黄銅・鍍金  
BRASS PRE  
(1 ± 0.25)  
材 米  
MATERIAL

注記 NOTES  
1. 適合/不適合  
APPLIC.

THIS DRAWING CONTAINS INFORMATION THAT IS PROPRIETARY TO MORGHEPAPAN AND SHOU  
本図面は日本モリワテス(株)の所有する情報を含むもの。当社の許可なく複製をす

8

7

6

5

4

3

2

8

7

6

5

4

3

2