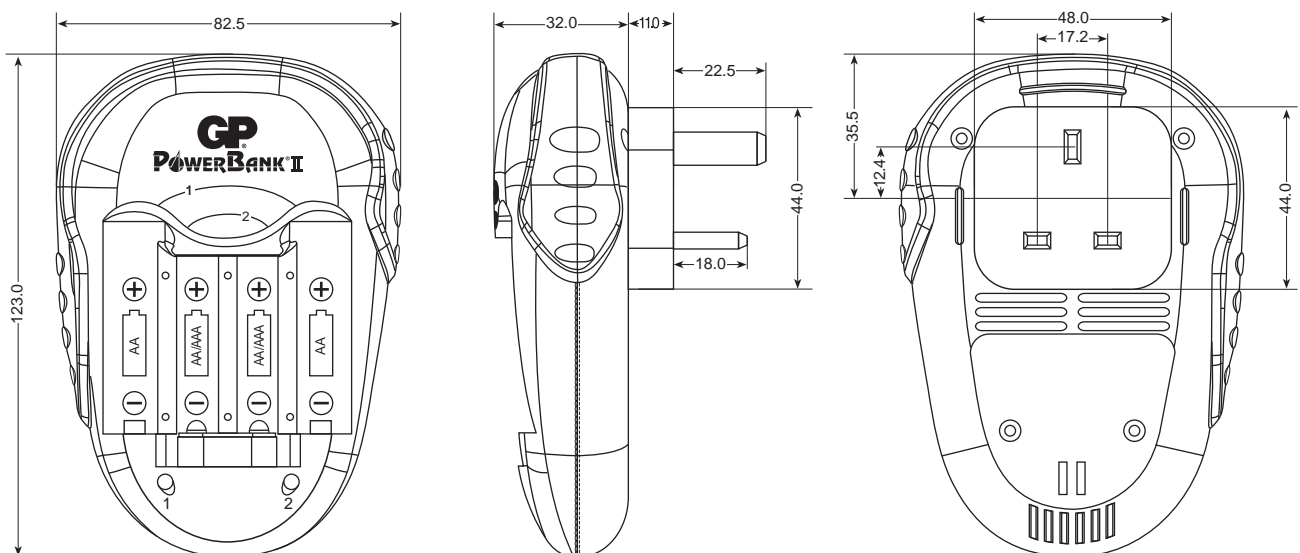


# GP Batteries

## Product Specification

Model No.: GPPB05BS

Description	: Continuous NiMH Battery Charger (Plug-In Type)
Input Voltage	: 230V AC 50Hz
Input Power	: 6W max.
Application	: For charging 2 or 4 pcs NiMH batteries; 2 batteries per one channel ( <u>DO NOT</u> mix AA and AAA size batteries in the same channel.)
Output Voltage	: 2.8V DC
Charging Current	: AA 130mA +/- 25% AAA 52mA +/- 25%
Trickle Charge Current	: AA 80mA +/- 25% AAA 33mA +/- 25%
Charging Time	: 16 +/- 0.5 hours
MTBF	: 30000 hours (at ambient temperature 25°C)
Operating Temperature	: 0°C to 45°C
Storage Temperature	: -25°C to 60°C
Charge Indicator	: LED for each channel; two channels operate individually. Dual-color LED indicates charge status: RED for charging in progress, GREEN for fully charged.
Dimensions	: 123(L) X 82.5(W) X 32(T)mm
Approval	: CE
Warranty Period	: 12 months from ex-factory date.



Unit : mm

**NOTE** : It is safe to charge GP NiMH batteries continuously with GP PowerBank II.