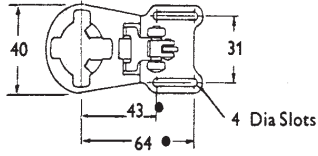


Dimensions

1a

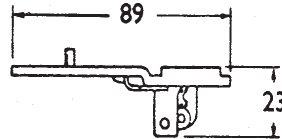
Maintained contact Attachment

Type TM-1

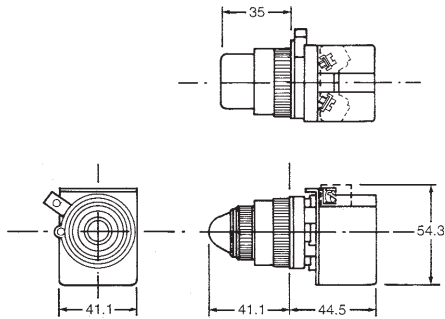


• Pushbutton centres adjustable between these two limits

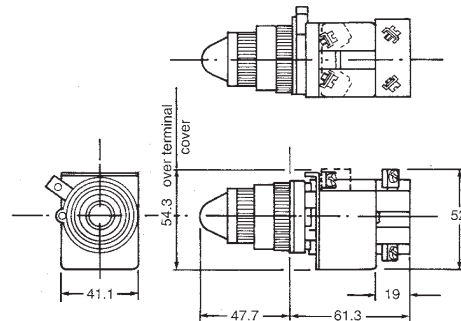
Type TM-1



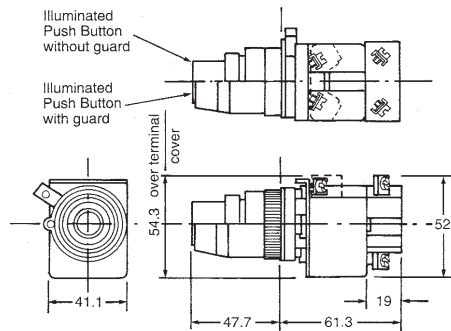
Pilot Lights



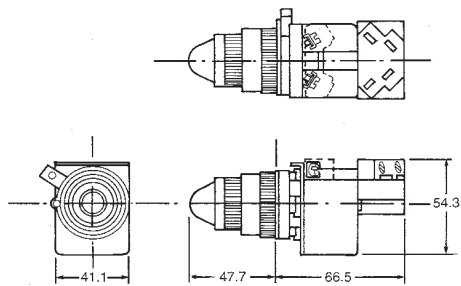
Type TPM-1 to TPM-20 Pilot Lights



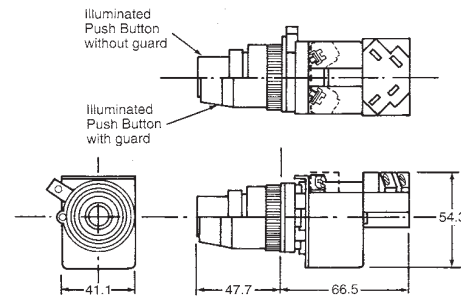
Type TPM-21 to TPM-30 Pilot Lights



Type TPM-35 to TPM-57 Illuminated Push Buttons



Type TPK-21 to TPK-30 Pilot Lights



TPK-35 to TPK-57 Illuminated Push Buttons

Dimensions in mm