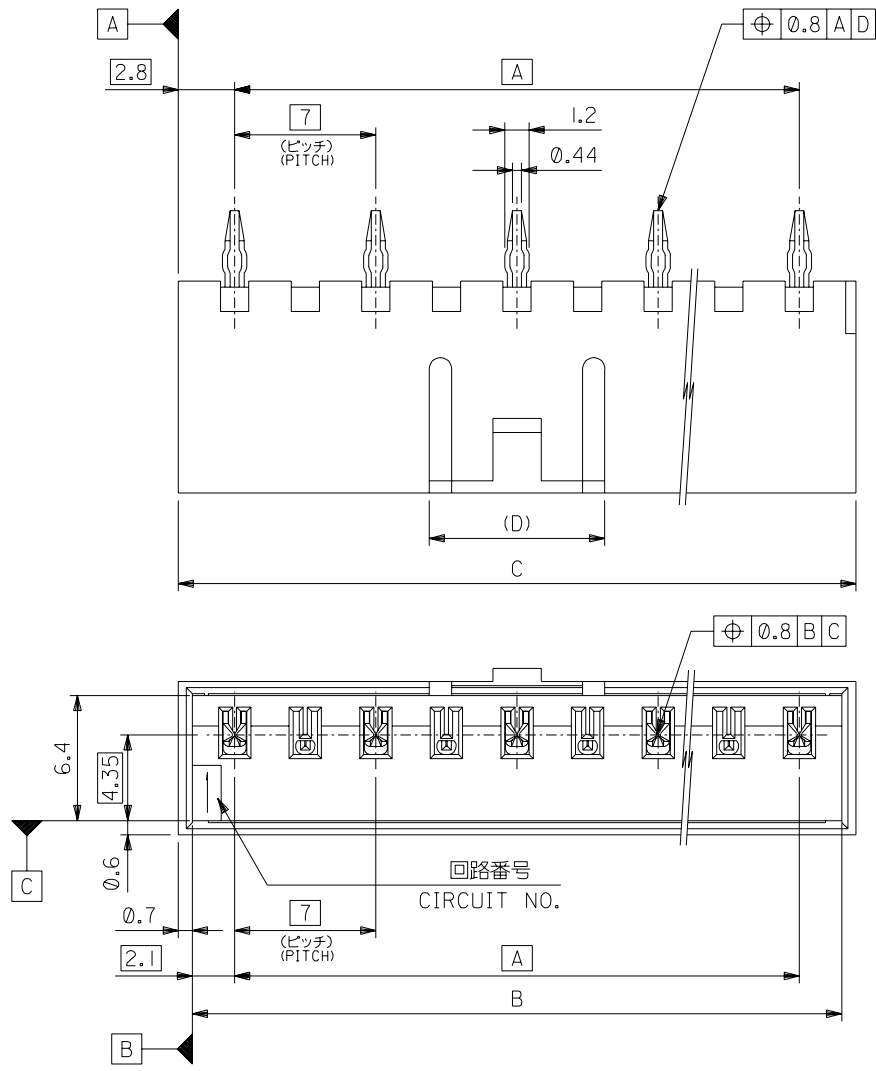
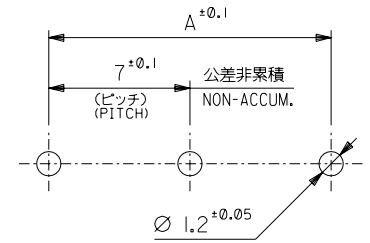


DWG. NO. SD-53265-005

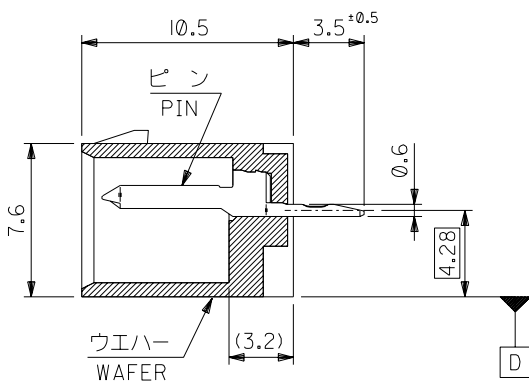


注記 NOTES

1. 嵌合相手 : 51067 シリーズ
MATE WITH : 51067 SERIES
2. 材質
MATERIAL
ウエハー : PBTP (ガラス15%入り)、UL94V-0
WAFER : PBTP (G.F 15%), UL94V-0
ピン : 黄銅、ニッケル下地 錫メッキ (t=0.254)
PIN : BRASS, TIN OVER NICKEL PLATING (t=0.254)
3. 本製品は53265-**20の鉛フリー品である。
THIS PRODUCT IS LEAD FREE OF 53265-**20.



基板取付穴推奨寸法 (参考) (t=1.6)
RECOMMENDED P.C. BOARD HOLE DIM. (REF.)



8.7	54.6	53.2	49.0	53265-0829	8
↑	47.6	46.2	42.0	↑ -0729	7
	40.6	39.2	35.0	-0629	6
	33.6	32.2	28.0	-0529	5
	26.6	25.2	21.0	-0429	4
8.7	19.6	18.2	14.0	↓ -0329	3
6.1	12.6	11.2	7.0	53265-0229	2
(D)	C	B	A	MATERIAL NO.	CKT. 極数

DO NOT SCALE DRAWING

EC NO. DRWN: CHK: APPR:	EC NO. DRWN: CHK: APPR:	EC NO. DRWN: CHK: APPR:	EC NO. DRWN: CHK: APPR:	EC NO. DRWN: CHK: APPR:	RELEASED EC NO. J2004-3951 DRWN: Y.WADA '04/04/22 CHK: M.SASAO '04/04/22 APPR: M.SASAO '04/04/22	MATERIAL 材料 注記参照 SEE NOTES	GENERAL TOLERANCES: (UNLESS SPECIFIED) 一般公差	SCALE — #	MODEL NO. 53265-**29	DESIGN UNITS <input checked="" type="checkbox"/> mm <input type="checkbox"/> INCH	THIRD ANGLE PROJECTION <input checked="" type="checkbox"/> THIRD ANGLE	DIMENSIONS: <input type="checkbox"/> mm <input type="checkbox"/> INCH <input checked="" type="checkbox"/> mm ONLY	SHT REV
						FINISH 仕上げ — #	10 UNDER 未満 ±0.2	DRAWN BY & DATE Y.WADA '04/04/22	TITLE: 7.0 WIRE TO BOARD CONN. WAFER ASS'Y (ST.) -LEAD FREE-				
						WIRE RANGE 適用電線範囲 — #	10 OVER 以上 30 UNDER 未満 ±0.25	CHECKED BY & DATE M.SASAO '04/04/22	MOLEX MOLEX INCORPORATED				
						INS. RANGE 被覆外径 — #	30 OVER 以上 ±0.3	APPROVED BY & DATE M.SASAO '04/04/22	CAD FILENAME SD-53265-005.S01	MATERIAL NO. SEE CHART	DRAWING NO. SD-53265-005	SHEET NO. 1 OF 1	SIZE B
THIS DRAWING CONTAINS INFORMATION THAT IS PROPRIETARY TO MOLEX INCORPORATED AND SHOULD NOT BE USED WITHOUT WRITTEN PERMISSION.													