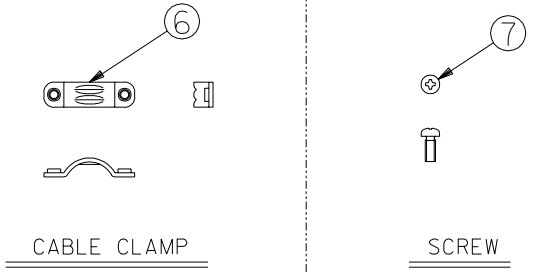


DWG. NO. SD-54599-006

部品構成
PARTS CONSTRUCTION

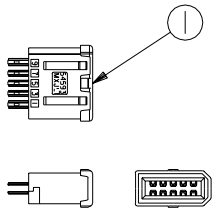
部番 NO.	部品名 PART NAME	製品番号 ENG. NO.	個数 QVAN.	材質 MATERIAL
①	ハウジングアッセンブリ HOUSING ASS'Y	54593-1019	1	ハウジング：ガラス入り耐熱樹脂 UL94V-0 色：黒 HOUSING : G.F. HEAT RESISTANT PLASTIC UL94V-0 COLOR : BLACK ターミナル：りん青銅 t0.3 TERMINAL : PHOSPHOR BRONZE t0.3 メッキ仕様 接点部：ニッケル下地金メッキ PLATING CONTACT AREA : GOLD OVER NICKEL 結線部：ニッケル下地錫メッキ WIRE TERMINATION AREA : TIN OVER NICKEL
②	カバー A COVER A	54594-1015	1	カバー A：ガラス入りポリカーボネイト樹脂 COVER A : POLYCARBONATE G.F. UL94V-0 色：グレー UL94V-0 COLOR : GRAY スプリングラッチ：ステンレス鋼 t0.4 SPRING LATCH : STAINLESS STEEL t0.4
③	カバー B COVER B	54595-1005	1	ガラス入りポリカーボネイト樹脂 UL94V-0 色：グレー POLYCARBONATE G.F. UL94V-0 COLOR : GRAY
④	シェル カバー SHELL COVER	58935-1028	1	りん青銅 t0.4 PHOSPHOR BRONZE t0.4
⑤	シェル ボディ SHELL BODY	58934-1028	1	メッキ仕様：ニッケル下地、錫メッキ PLATING : NICKEL BASE, TIN PLATING
⑥	ケーブルクランプ CABLE CLAMP	58937-0000	1	ステンレス鋼 STAINLESS STEEL
⑦	十字穴付きなべ小ネジ CROSS RECESSED PAN HEAD MACHINE SCREW	58203-0010	2	鋼(ネジサイズ：M2X5) STEEL (SCREW SIZE : M2X5)

注記： 1. 本製品は 54599-1015 の鉛フリー品である。
NOTES: THIS PRODUCT IS LEAD FREE OF 54599-1015.

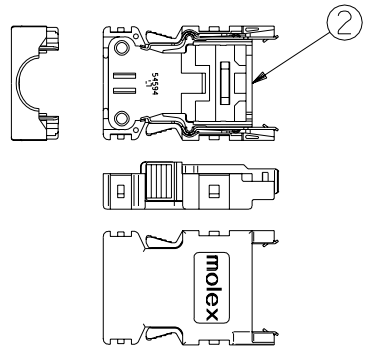


CABLE CLAMP

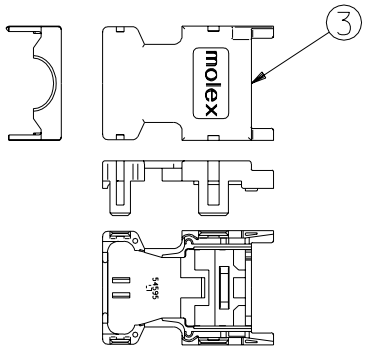
SCREW



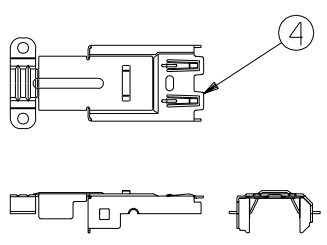
HOUSING ASS'Y



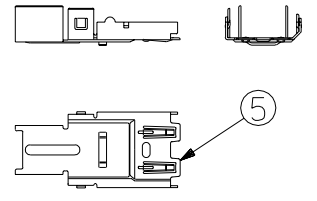
COVER A



COVER B



SHELL COVER



SHELL BODY

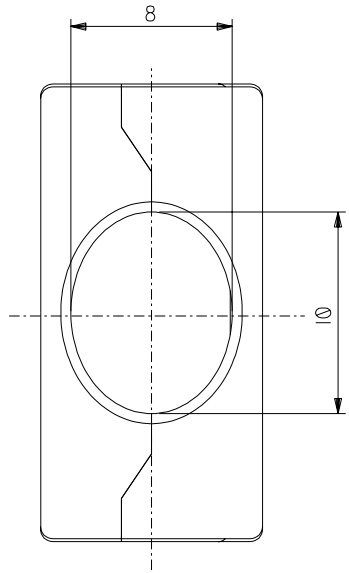
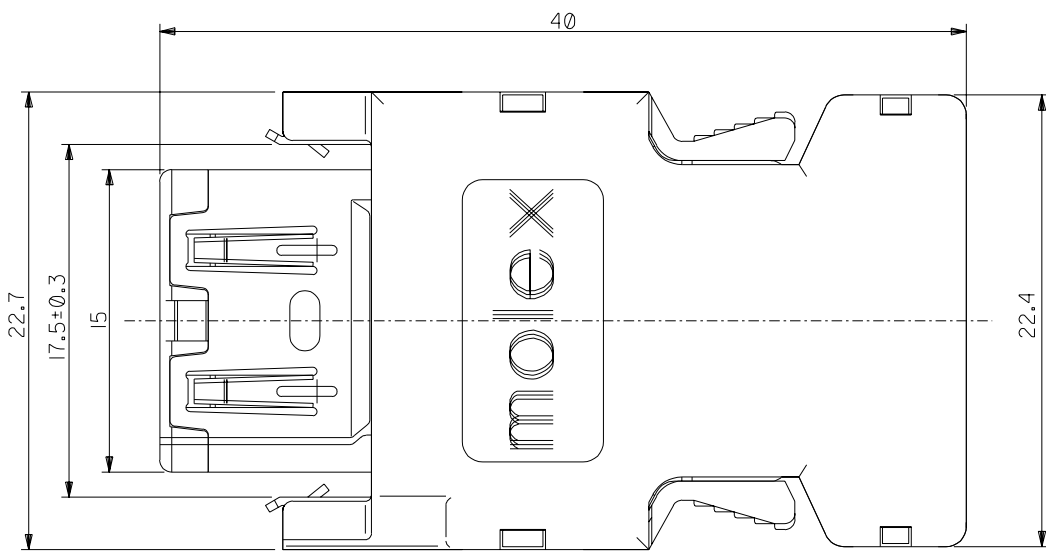
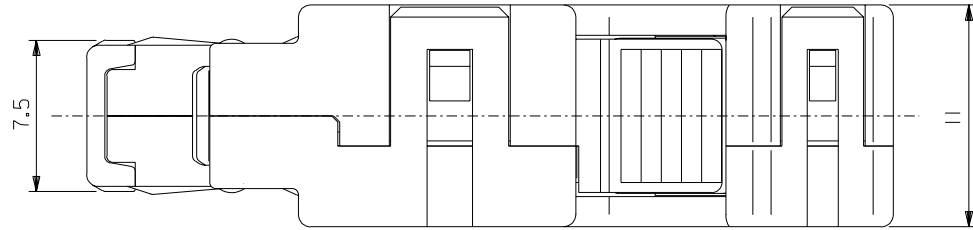
54599-1019	54599-101*
MATERIAL NO.	MODEL NO.
DIMENSIONS: <input type="checkbox"/> mm <input type="checkbox"/> INCH <input checked="" type="checkbox"/> mm ONLY	
SHT	REV
REVISE ON CAD ONLY	

DO NOT SCALE DRAWING

EC NO. DRWN: CHK: APPR:	EC NO. DRWN: CHK: APPR:	EC NO. DRWN: CHK: APPR:	EC NO. DRWN: CHK: APPR:	EC NO. DRWN: CHK: APPR:	RELEASD '04/04/14 EC NO. J2004-3790 DRWN: M.NABEI CHK: K.TOJO APPR: M.SASAO	DESCRIPTION	MATERIAL 材料	表参照 SEE TABLE	GENERAL TOLERANCES: (UNLESS SPECIFIED) 一般公差	SCALE	DESIGN UNITS <input checked="" type="checkbox"/> mm <input type="checkbox"/> INCH	THIRD ANGLE PROJECTION	TITLE: 2.0 I/O CONN. HAND/S TYPE PLUG SET -LEAD FREE-
							FINISH 仕上げ	#	10 UNDER 未満 ±0.2	DRAWN BY & DATE M.NABEI '04/04/14			
							WIRE RANGE 適用電線範囲	#	10 OVER 30 UNDER 未満 ±0.25	CHECKED BY & DATE K.TOJO '04/04/14			
							INS. RANGE 被覆外径	#	30 OVER 以上 ±0.3	APPROVED BY & DATE M.SASAO '04/04/14			
							REV		ANGLE 角度 ±3°	CAD FILENAME SD-54599-006.S01			
										MATERIAL NO. SEE CHART			
										DRAWING NO. SD-54599-006			
													SHEET NO. 1 OF 3
													SIZE B

SD-54599-006.S01

DWG. NO.
SD-54599-006



DO NOT SCALE DRAWING

EC NO. DRWN: CHK: APPR:	EC NO. DRWN: CHK: APPR:	EC NO. DRWN: CHK: APPR:	EC NO. DRWN: CHK: APPR:	EC NO. DRWN: CHK: APPR:	EC NO. J2004-3790 DRWN: M.NABEI CHK: K.TOJO APPR: M.SASAO
8	7	6	5	4	0

REV	DESCRIPTION	MATERIAL 材料	FINISH 仕上り	WIRE RANGE 適用電線範囲	INS. RANGE 被覆外径
#	#	#	#	#	#

GENERAL TOLERANCES: (UNLESS SPECIFIED) 一般公差	
10 UNDER 未満	±0.2
10 OVER 30 UNDER 以上 未満	±0.25
30 OVER 以上	±0.3
ANGLE 角度	±3°

54599-101*		MODEL NO.	DIMENSIONS: <input type="checkbox"/> mm <input type="checkbox"/> INCH <input checked="" type="checkbox"/> mm ONLY		SHT	REV
SCALE	DESIGN UNITS <input checked="" type="checkbox"/> mm <input type="checkbox"/> INCH	THIRD ANGLE PROJECTION			REVISE ON CAD ONLY	
DRAWN BY & DATE M.NABEI '04/04/14		TITLE: 2.0 I/O CONN. HAND/S TYPE PLUG SET -LEAD FREE-				
CHECKED BY & DATE M.TOJO '04/04/14		MOLEX MOLEX INCORPORATED				
APPROVED BY & DATE M.SASAO '04/04/14		MATERIAL NO.	DRAWING NO.	SHEET NO.		
CAD FILENAME SD-54599-006.S02		SEE CHART	SD-54599-006	2 OF 3		
THIS DRAWING CONTAINS INFORMATION THAT IS PROPRIETARY TO MOLEX INCORPORATED AND SHOULD NOT BE USED WITHOUT WRITTEN PERMISSION.						
					SIZE B	

DWG. NO. SD-54599-006

F

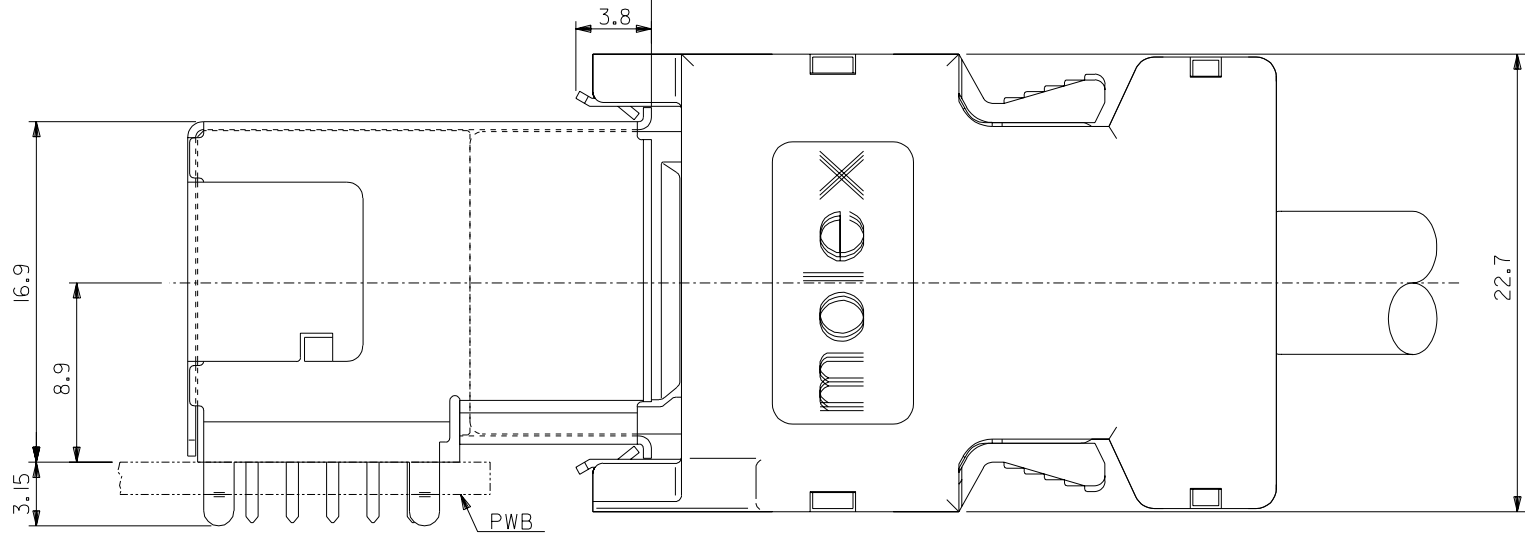
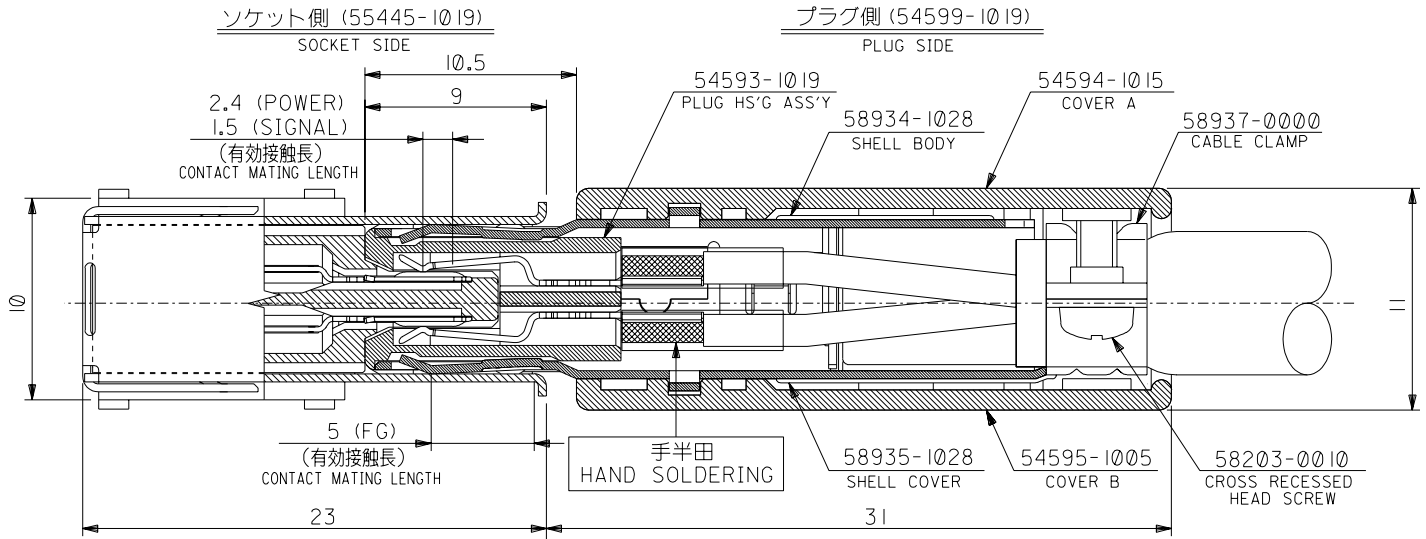
D

V

C

B

DO NOT SCALE DRAWING



EC NO. DRWN: CHK: APPR:	EC NO. DRWN: CHK: APPR:	EC NO. DRWN: CHK: APPR:	EC NO. DRWN: CHK: APPR:	EC NO. DRWN: CHK: APPR:	EC NO. DRWN: CHK: APPR:
RELEASED '04/04/14	EC NO. J2004-3790	DRWN: M.NABEI	CHK: K.TOJO	APPR: M.SASAO	

MATERIAL 材料	#
FINISH 仕上げ	#
WIRE RANGE 適用電線範囲	#
INS. RANGE 被覆外径	#

GENERAL TOLERANCES: (UNLESS SPECIFIED) 一般公差	
10 UNDER 未満	±0.2
10 OVER 30 UNDER 以上 未満	±0.25
30 OVER 以上	±0.3
ANGLE 角度	±3°

54599-101*		MODEL NO.	DIMENSIONS:		SHT	REV
SCALE	DESIGN UNITS	THIRD ANGLE PROJECTION	<input type="checkbox"/> mm	<input type="checkbox"/> INCH	<input checked="" type="checkbox"/> mm ONLY	REVISE ON CAD ONLY
DRAWN BY & DATE M.NABEI '04/04/14	TITLE: 2.0 I/O CONN. HAND/S TYPE PLUG SET -LEAD FREE-					
CHECKED BY & DATE K.TOJO '04/04/14	MOLEX MOLEX INCORPORATED					
APPROVED BY & DATE M.SASAO '04/04/14	MATERIAL NO.	DRAWING NO.	SHEET NO.			
CAD FILENAME SD-54599-006.S03	SEE CHART	SD-54599-006	3 OF 3			
THIS DRAWING CONTAINS INFORMATION THAT IS PROPRIETARY TO MOLEX INCORPORATED AND SHOULD NOT BE USED WITHOUT WRITTEN PERMISSION.						
SIZE B						

SD-54599-006.S03