

TECHNICAL SPECIFICATION FOR INDUSTRIAL PIEZO-RESISTIVE ACCELEROMETER
MTN/7000 SERIES

The 7000 Series has been designed for industrial applications requiring low frequency vibration measurement down to DC but will also operate up to 1000 Hz. This range has been built to withstand hostile industrial applications and can be supplied in various mounting configurations (see attached sheet) and with stainless steel braided cable if required. For full bridge units see 7100 datasheet. The 7000 series can easily be interfaced to most commercially available data collectors.

NOTE: This is a 4 wire device and requires the power supply 0 Volts to be floating with respect to the signal 0 Volts.

TECHNICAL DATA

Sensitivity	-	50 mV/g 100 mV/g (Others on request)
Frequency Response	-	Dependent on dynamic range ($\pm 5\%$) $\pm 1g$ - DC to 500 Hz, $\pm 10g$ - DC to 500 Hz $\pm 2g$ - DC to 500 Hz, $\pm 20g$ - DC to 700 Hz $\pm 5g$ - DC to 500 Hz, $\pm 50g$ - DC to 1 KHz
Resonant Frequency	-	$\pm 1g$ - 500 Hz, $\pm 10g$ - 850 Hz $\pm 2g$ - 500 Hz, $\pm 20g$ - 1200 Hz $\pm 5g$ - 500 Hz, $\pm 50g$ - 1800 Hz
Isolation	-	Base isolated
Operation Temp Range	-	-20° to 85°C extended temp. range available up to 125°C
DC Supply	-	12-24 Volts (at 7 mA)
Output Impedance	-	50 ohms
Acceleration Limits	-	$\times 20$ any direction
Case Material	-	Stainless Steel
Weight	-	40 gm Nominal
Mounting	-	Single point M8 or ¼ UNF or Four point
Dimensions	-	(see attached drawing)
Cable	-	5 metres 4 core screened PVC (armouring and other lengths available on request)

Typical Applications

- * Slow rotating equipment
- * Lifts
- * Building movements
- * Vehicle component testing
- * Flight simulator tests

Connection Details

Red	:	+ve Supply (12-24V)
Blue	:	-ve Supply (0 Volts)
Yellow	:	+ve Output
Green	:	Common -ve
Screen	:	Case

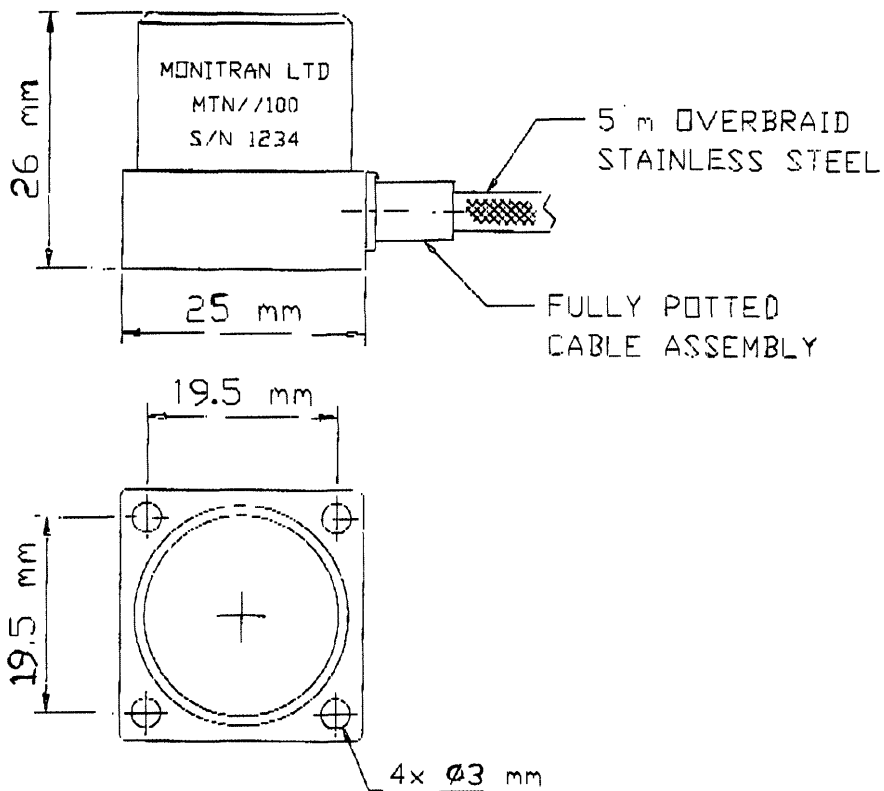
All measurements in millimetres



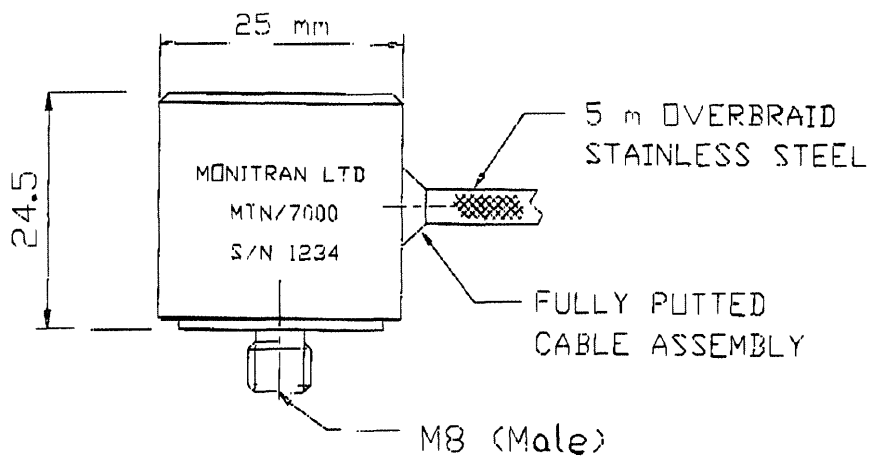
SS0120 Issue 4
Monitran reserve the right to alter the specification without prior notice.

33 Hazlemere Road, Penn. Bucks, HP10 8AD
for further details contact. Telephone: 01494 816569 Fax: 01494 812256

FOUR POINT MOUNTING



SINGLE POINT MOUNTING



SS0129 Issue 1

All measurements in millimetres

SS0144

Monitran reserve the right to alter the specification without prior notice

 **MONITRAN LTD**

Monitor House, Hazlemere Road, Penn, Bucks. HP10 8AD, U.K.
for further details contact: Telephone: +44 (0) 1494 816569. Fax: +44 (0) 1494 812256
Email: info@monitran.co.uk
Web Site: www.monitran.co.uk