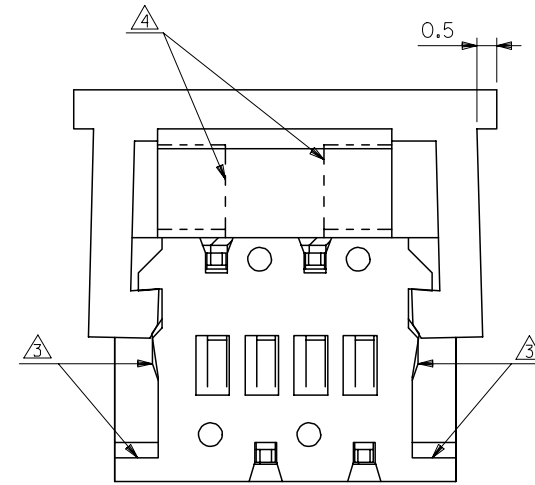
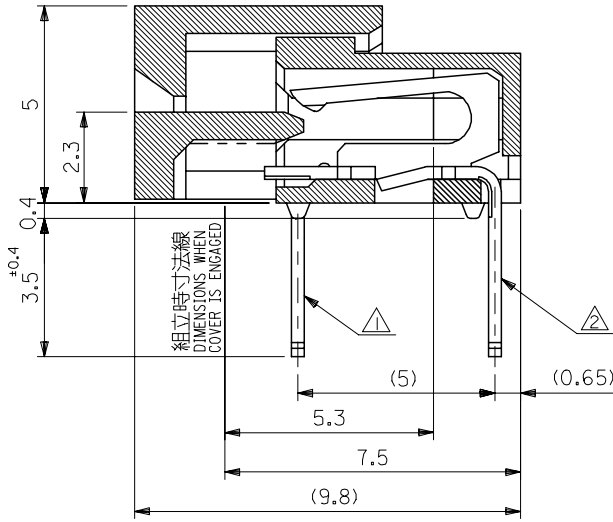
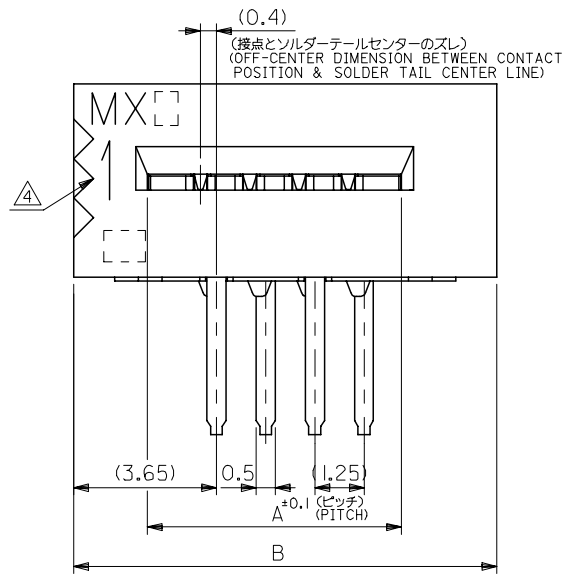


10 9 8 7 6 5 4 3 2 1



注記 NOTES

- △ MX J側を基準に奇数番目の極におけるソルダーテール。SOLDER TAIL OF ODD CKTS, MXJ MARK AS BASIC.
- △ MX J側を基準に偶数番目の極におけるソルダーテール。SOLDER TAIL OF EVEN CKTS, MXJ MARK AS BASIC.
- △ 3極～10極に適用。APPLY FOR 3-10 CKTS.
- △ 3極～19極に適用。APPLY FOR 3-19 CKTS.
- 5. () 内寸法は、参考値。
() DIMENSION IS FOR REFERENCE.
- 6. ソルダーテールは、先端が取付推奨穴にガイドされること。
SOLDER TAILS MAY BE CHECKED BY INSERTION FOR RECOMMENDED PCB BOARD HOLES.
- 7. 本製品は5597-NAPBの鉛フリー品である。
THIS PRODUCT IS LEAD FREE OF 5597-NAPB.

48.25	43.95	39-53-2344	5597-34APB7F	34
47.00	42.70	-2334	-33APB7F	33
45.75	41.45	-2324	-32APB7F	32
44.50	40.20	-2314	-31APB7F	31
43.25	38.95	-2304	-30APB7F	30
42.00	37.70	-2294	-29APB7F	29
40.75	36.45	-2284	-28APB7F	28
39.50	35.20	-2274	-27APB7F	27
38.25	33.95	-2264	-26APB7F	26
37.00	32.70	-2254	-25APB7F	25
35.75	31.45	-2244	-24APB7F	24
34.50	30.20	-2234	-23APB7F	23
33.25	28.95	-2224	-22APB7F	22
32.00	27.70	-2214	-21APB7F	21
30.75	26.45	-2204	-20APB7F	20
29.50	25.20	-2194	-19APB7F	19
28.25	23.95	-2184	-18APB7F	18
27.00	22.70	-2174	-17APB7F	17
25.75	21.45	-2164	-16APB7F	16
24.50	20.20	-2154	-15APB7F	15
23.25	18.95	-2144	-14APB7F	14
22.00	17.70	-2134	-13APB7F	13
20.75	16.45	-2124	-12APB7F	12
19.50	15.20	-2114	-11APB7F	11
18.25	13.95	-2104	-10APB7F	10
17.00	12.70	-2094	-09APB7F	9
15.75	11.45	-2084	-08APB7F	8
14.50	10.20	-2074	-07APB7F	7
13.25	8.95	-2064	-06APB7F	6
12.00	7.70	-2054	-05APB7F	5
10.75	6.45	-2044	-04APB7F	4
9.50	5.20	39-53-2034	5597-03APB7F	3
B	A	EDP NO.	ENG NO.	極数 CKT.

材料 MATERIAL	HOUSING, ACTUATOR : PBTP, UL94V-0
TERMINAL : PHOSPHOR-BRONZE	THK : 0.3t
仕上げ FINISH	TIN-BISMUTH : 10 MICROMETER MINIMUM
OVER NICKEL PLATING :	10 MICROMETER MINIMUM
適用電線範囲 WIRE RANGE	— # —
被覆外径 INS. RANGE	— # —

REVISED	EC NO: J2007-2876	2007/04/19	DRW:KSAIT001	2007/04/19	CHKD:THARUYAMA	2007/04/19	APPR:NUKITA	2007/04/20	DESCRIPTION
B									GENERAL TOLERANCES (UNLESS SPECIFIED)
10 UNDER		±0.2		DRAWN BY		DATE		TITLE	
10 OVER 30 UNDER		±0.25		M. NAGATA		'04/05/10		1.25 FPC CONNECTOR	
30 OVER		±0.3		CHECKED BY		DATE		ASSY ZIF	
ANGULAR		±3 °		K. TOJO		'04/05/10		-LEAD FREE-	
DRAFT WHERE APPLICABLE		MUST REMAIN		APPROVED BY		DATE		MOLEX INCORPORATED	
WITHIN DIMENSIONS				M. SASAO		'04/05/10		MOLEX INCORPORATED	
SIZE		A3		MATERIAL NO.		DOCUMENT NO.		SHEET NO.	
				SEE CHART		SD-5597-011		1 OF 2	
THIS DRAWING CONTAINS INFORMATION THAT IS PROPRIETARY TO MOLEX INCORPORATED AND SHOULD NOT BE USED WITHOUT WRITTEN PERMISSION									

10 9 8 7 6 5 4 3 2 1

F

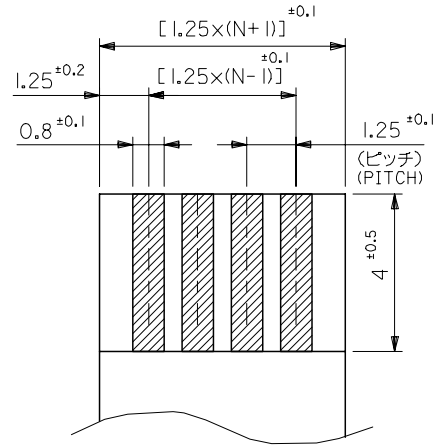
E

D

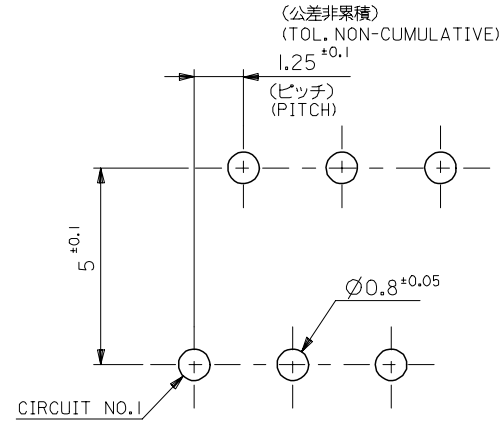
C

B

A



適合FPC/FFC推奨寸法
RECOMMENDED FPC/FFC
厚さ THK : 0.3^{±0.05}



基板取付穴推奨寸法 (t=1.6)
RECOMMENDED P.C. BOARD
HOLE DIMENSION

FPC/FFCについて:

打抜き方向は導体側から補強板側を推奨いたします。
導体部については軟銅箔35マイクロメートルまたは50マイクロメートルを推奨いたします。

ABOUT FPC/FFC

RECOMMENDED PUNCHER DIRECTION : FROM CONDUCTOR SIDE TO STIFFENER FILM SIDE.
RECOMMENDED CONDUCTOR SPEC :
THICKNESS OF SOFT COPPER FOIL : 35 MICROMETER OR 50 MICROMETER.

FPCについて:

補強フィルム材質はポリイミドを推奨します。
接着剤は熱硬化接着剤を推奨します。

ABOUT FPC

RECOMMENDED MATERIAL :
STIFFENER FILM : POLYIMIDE
BONDING AGENT : THERMOSETTING BONDING AGENT

MODEL NO. 5597-NAPB7F

REVISED EC NO: J2007-2876 DRWN:KSAIT001 2007/04/19 CHKD:THARUYAMA 2007/04/19 APPR:NUKITA 2007/04/20	DESCRIPTION REV	GENERAL TOLERANCES (UNLESS SPECIFIED)		DIMENSION STYLE MM ONLY		SCALE ---	DESIGN UNITS METRIC	THIRD ANGLE PROJECTION			
		10 UNDER ± 0.2	10 OVER 30 UNDER ± 0.25	DRAWN BY M. NAGATA	DATE '04/05/10	TITLE 1.25 FPC CONNECTOR ASSY ZIF -LEAD FREE-					
		30 OVER ± 0.3	ANGULAR ± 3 °	CHECKED BY K. TOJO	DATE '04/05/10	MOLEX INCORPORATED					
		DRAFT WHERE APPLICABLE MUST REMAIN WITHIN DIMENSIONS		MATERIAL NO. SEE CHART	DATE '04/05/10	DOCUMENT NO. SD-5597-011	SHEET NO. 2 OF 2				
				SIZE A3	THIS DRAWING CONTAINS INFORMATION THAT IS PROPRIETARY TO MOLEX INCORPORATED AND SHOULD NOT BE USED WITHOUT WRITTEN PERMISSION						

9

8

7

6

5

4

3

2