

Features

- 3.2" QVGA (240x320) TFT LCD with 18-bit parallel RGB interface
- Resistive 4-wire touch screen

Other Information

To obtain the most recent and complete documentation for this demonstration board, please refer to the Microchip web site: <http://www.microchip.com/graphics>

Please see the reverse side for the Graphics Display Truly 3.2" 240x320 Board schematic.

Americas

Atlanta - 678-957-9614
 Boston - 774-760-0087
 Chicago - 630-285-0071
 Dallas - 972-818-7423
 Detroit - 248-538-2250
 Kokomo - 765-864-8360
 Los Angeles - 949-462-9523
 Phoenix - 480-792-7200
 Santa Clara - 408-961-6444
 Toronto - 905-673-0699

Asia/Pacific

Australia - Sydney - 61-2-9868-6733
 China - Beijing - 86-10-8528-2100
 China - Chengdu - 86-28-8665-5511
 China - Hong Kong SAR - 852-2401-1200
 China - Nanjing - 86-25-8473-2460
 China - Qingdao - 86-532-8502-7355
 China - Shanghai - 86-21-5407-5533
 China - Shenyang - 86-24-2334-2829
 China - Shenzhen - 86-755-8203-2660
 China - Wuhan - 86-27-5980-5300
 China - Xiamen - 86-592-2388138
 China - Xian - 86-29-8833-7252
 China - Zhuhai - 86-756-3210040
 India - Bangalore - 91-80-4182-8400
 India - New Delhi - 91-11-4160-8631
 India - Pune - 91-20-2566-1512
 Japan - Yokohama - 81-45-471-6166
 Korea - Daegu - 82-53-744-4301
 Korea - Seoul - 82-2-554-7200
 Malaysia - Kuala Lumpur - 60-3-6201-9857
 Malaysia - Penang - 60-4-227-8870
 Philippines - Manila - 63-2-634-9065
 Singapore - 65-6334-8870
 Taiwan - Hsin Chu - 886-3-572-9526
 Taiwan - Kaohsiung - 886-7-536-4818
 Taiwan - Taipei - 886-2-2500-6610
 Thailand - Bangkok - 66-2-694-1351

Europe

Austria - Weis - 43-7242-2244-39
 Denmark - Copenhagen - 45-4450-2828
 France - Paris - 33-1-69-53-63-20
 Germany - Munich - 49-89-627-144-0
 Italy - Milan - 39-0331-742611
 Netherlands - Drunen - 31-416-690399
 Spain - Madrid - 34-91-708-08-90
 UK - Wokingham - 44-118-921-5869

01/02/08



MICROCHIP

Microchip Technology Inc. • 2355 West Chandler Blvd. • Chandler, AZ 85224-6199
www.microchip.com

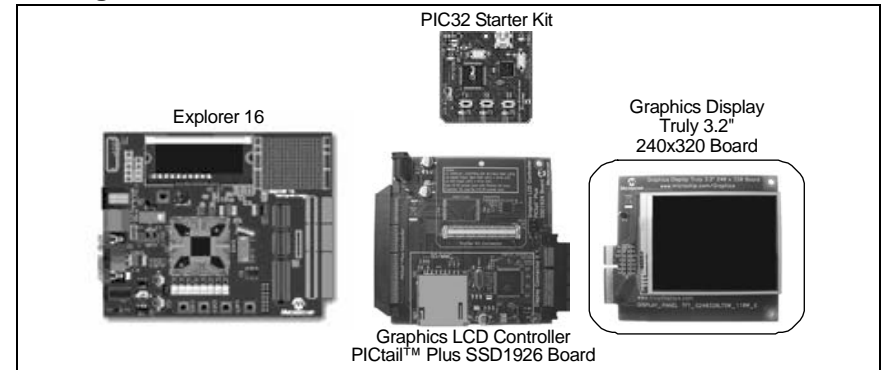
The Microchip name and logo and the Microchip logo are registered trademarks of Microchip Technology Incorporated in the U.S.A. and other countries. PICtail is a trademark of Microchip Technology Incorporated in the U.S.A. and other countries. All other trademarks mentioned herein are property of their respective companies. © 2008, Microchip Technology Incorporated, Printed in the U.S.A. All Rights Reserved. 12/08

DS51789A



Graphics Display Truly 3.2" 240x320 Board

Getting Started



To get started, a development board with the Display Connector, such as the Graphics LCD Controller PICtail™ Plus SSD1926 Board (AC164127-4), is required; please refer to its documentation for more details (DS51790).

The Graphics Display Truly 3.2" 240x320 Board can be used in conjunction with the Graphics Library for Microchip microcontrollers. The Microchip Graphics Library and other firmware examples can be downloaded from <http://www.microchip.com/graphics>.

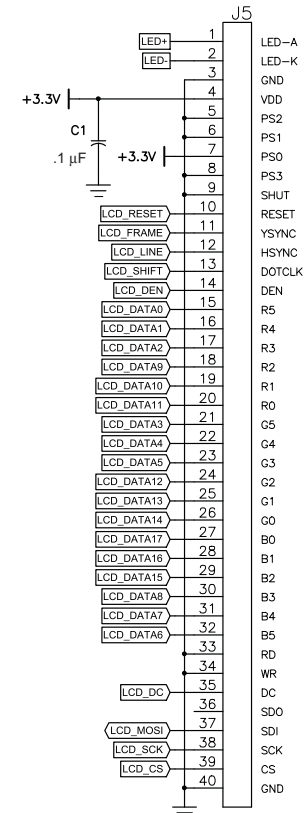
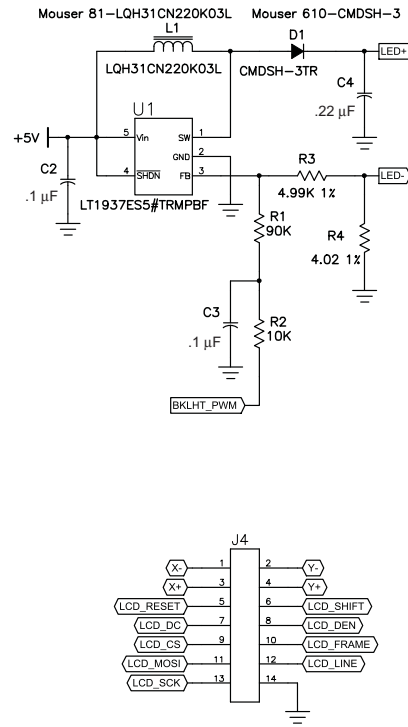
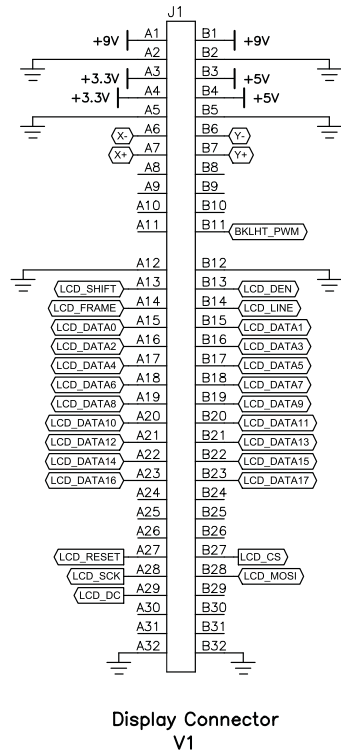
The Microchip Graphics Library installer will create the **Start Menu** folder under the `Programs\Microchip\Graphics Library vX.XX` folder. Please refer to the **"Getting Started"** section in the Microchip Graphics Library Help at this location to program and run demonstration projects.

Signal Interface

Pin No.	Symbol	Level	Description
A1, B1	+9V	+9.0V	Power Supply
A2, B2, A5, B5, A12, B12, A32, B32	GND	GND	Ground
A3, A4	+3.3V	+3.3V	Power Supply
B3, B4	+5V	+5.0V	Power Supply
A6	LEFT/X-	I/O	Touch Panel Left
B6	TOP/Y-	I/O	Touch Panel Top
A7	RIGHT/X+	I/O	Touch Panel Right
B7	BOTTOM/Y+	I/O	Touch Panel Bottom
A8-A11, B8-B10, A24-A26, B24-26, A30-A31, B29-B31	NC	—	Not Connected
B11	BKLHT_PWM	I	PWM Input for Backlight Driver
A13	SHIFT	I	Pixel Shift Signal
B13	DEN	I	Data Enable
A14	FRAME	I	Frame Pulse
B14	LINE	I	Line Pulse
A15, B15, A16	R5, R4, R3	I	Red Data
B16, A17, B17	G5, G4, G3	I	Green Data
A18, B18, A19	B5, B4, B3	I	Blue Data
B19, A20, B20	R2, R1, R0	I	Red Data
A21, B21, A22	G2, G1, G0	I	Green Data
B22, A23, B23	B2, B1, B0	I	Blue Data
A27	RESET	I	Glass Reset
B27	CS	I	SPI Chip Select
A28	SCK	I	SPI Clock
B28	MOSI	I	SPI Master Output Slave Input
A29	DC	I	SPI Data/Command

Graphics Display Truly 3.2" 240x320 Board

Board Schematic (Rev. 4)



Truly LCD Module
TFT-G240320LTSW-118W-E
www.trulydisplays.com

Use TFT2N0369-E
for the same display
with the touch screen
option added.

Hirose Electric Co Ltd
FH12A-40S-0.5SH(55)

