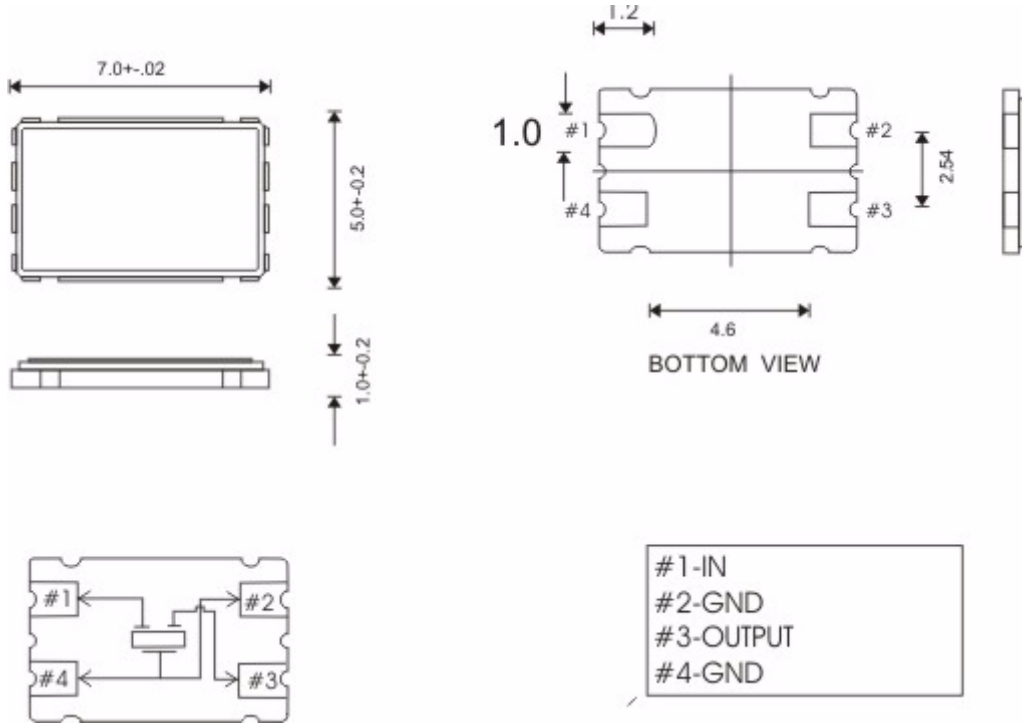




**SPECIFICATION
CONTROL DRAWING**
Crystal Filter

CENTRE FREQUENCY

21.400000MHz



Package Style	7x5 4 Pad x 2
Number of Poles	4
Passband (±kHz @ 3dB)	± 3.75 kHz
Stopband (±kHz @ dB)	± 14.0 @ 35
Ripple (dB)	1.0
Insertion Loss (dB)	2.5
Guaranteed Attenuation	80 dB @ -910 +/-10
Terminating Impedance (Ohms//pF)	850//3.5
Coupling Capacitance (pF)	15 pF
Operating Temp. Range	-20°C to + 70°C
Storage Temp Range	-30 + 80°C
Marking	AELF004S/Freq/ww/yy

Amdt Date	Change Note	AEL Code	
		F21M400000S004	
		Issue Ref	A