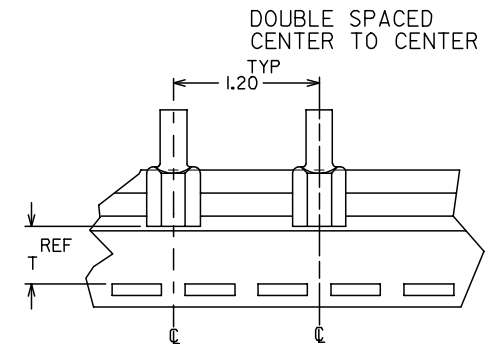
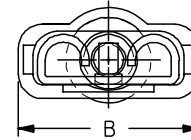
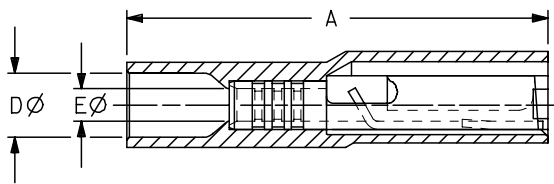
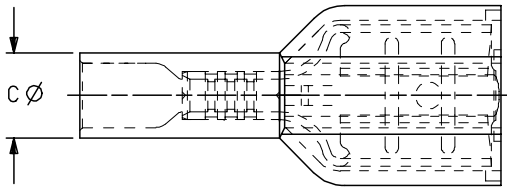


10	9	8	7	6	5	4	3	2					
MATERIAL NO. LOOSE PC	ENGINEERING NO. LOOSE PC	MATERIAL NO. ON TAPE	ENGINEERING NO. ON TAPE	WIRE SIZE	ACCEPTS TAB SIZE	COLOR	STOCK THICKNESS	A MAX	B MAX	C MAX	D MWID	E MIN	T REF
190050001	AA-2261	190050004	AA-2261T	22-18	.250x.032	RED	.018	.89	.38	.23	.165	.083	.520
190050005	BB-2263	190050009	BB-2263T	16-14	.250x.032	BLUE	.018	.89	.38	.23	.165	.083	.520
190050010	C-2265	190050015	C-2265T	12-10	.250x.032	YELLOW	.018	1.04	.38	.34	.275	.145	.508

(B)



TAPE MOUNTING DETAIL

NOTES:

1. TERMINAL MATERIAL: BRASS
2. TERMINAL FINISH: TIN PLATED
3. INSULATION MATERIAL: MOLDED NYLON
4. MWID = MAXIMUM WIRE INSULATION DIAMETER
5. ASSEMBLY IS ROHS COMPLIANT.

(B)

REDRAWN & REVISED EC NO: ETC2007-0281 DRW: WHEHLE 2007/02/06 CHKD: JMACNEIL 2007/02/06 APPR: JMACNEIL 2007/02/06	QUALITY SYMBOLS ▽=0 ▽=0	GENERAL TOLERANCES (UNLESS SPECIFIED)		DIMENSION STYLE INCH ONLY		SCALE ---	DESIGN UNITS INCH	THIRD ANGLE PROJECTION		
		4 PLACES ± --- ± ---	3 PLACES ± --- ± .005	2 PLACES ± --- ± .01	1 PLACE ± --- ± ---	ANGULAR ±1/2°	DRAWN BY EMF	DATE 1993/06/25	TITLE FULLY INSULATED FEMALE COUPLER	
						APPROVED BY ---	DATE ---	MOLEX INCORPORATED		
		DRAFT WHERE APPLICABLE MUST REMAIN WITHIN DIMENSIONS				MATERIAL NO. SEE CHART		DOCUMENT NO. SD-19005-001		SHEET NO. 1 OF 1