

10 9 8 7 6 5 4 3 2 1

NOTES:

1- MATERIAL:

HOUSING: LCP GLASS FILLED UL 94V0 COLOUR: BLACK
 TERMINAL: BRASS PLATED WITH:
 0.00127/.000050 MIN GOLD IN CONTACT AREA,
 0.00190/.000075 MIN PURE TIN IN TAIL AREA,
 BOTH OVER 0.00127/.000050 MIN NICKEL OVERALL.
 SOLDER TABS: BRASS PLATED WITH 0.0020/.000078 MIN TIN.

2- JACK FOR MATING WITH F.C.C.68 PLUGS.
 (MOLEX 90075 SERIES).

3- PRODUCT SPECIFICATION: MOLEX PS-85502-001

4- POLYIMIDE ADHESIVE TAPE FOR PICK & PLACE SURFACE.
 THICKNESS: 125 μm/4921 μ''

5- PACKAGING SPECIFICATION: MOLEX PK-85502.
 (BLISTER PACKAGING).

6- COPLANARITY OF SIGNAL LEADS: 0.10/.004

7- SEE DIMENSIONS IN CHART ON SHEET 2.

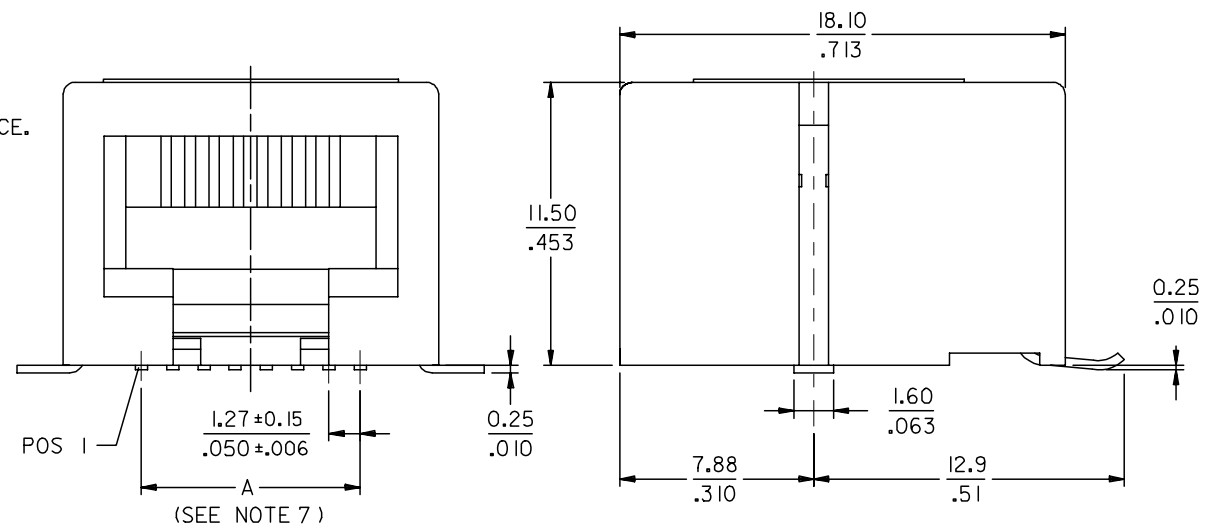
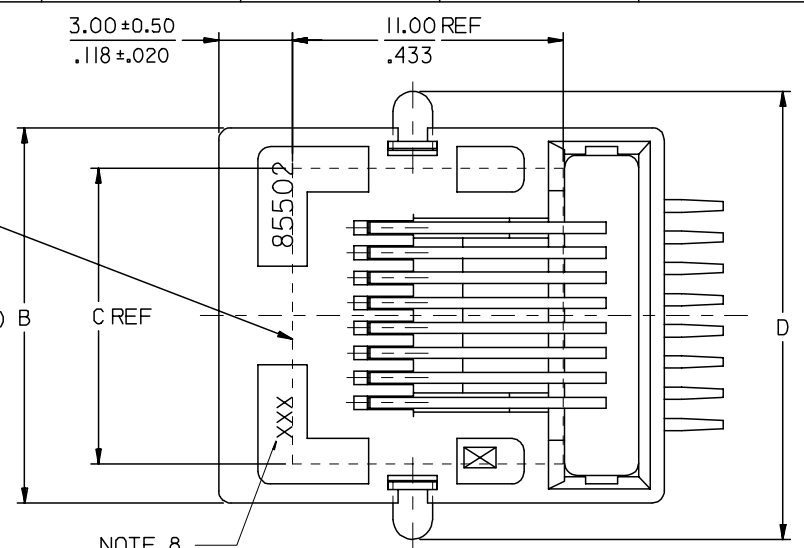
8- MANUFACTURING I.D. CAN BE EITHER MG, MXF OR MXI.

9- APPLICATION SPECIFICATION: AS-85513-001

SEE NOTE 4

(SEE NOTE 7) B

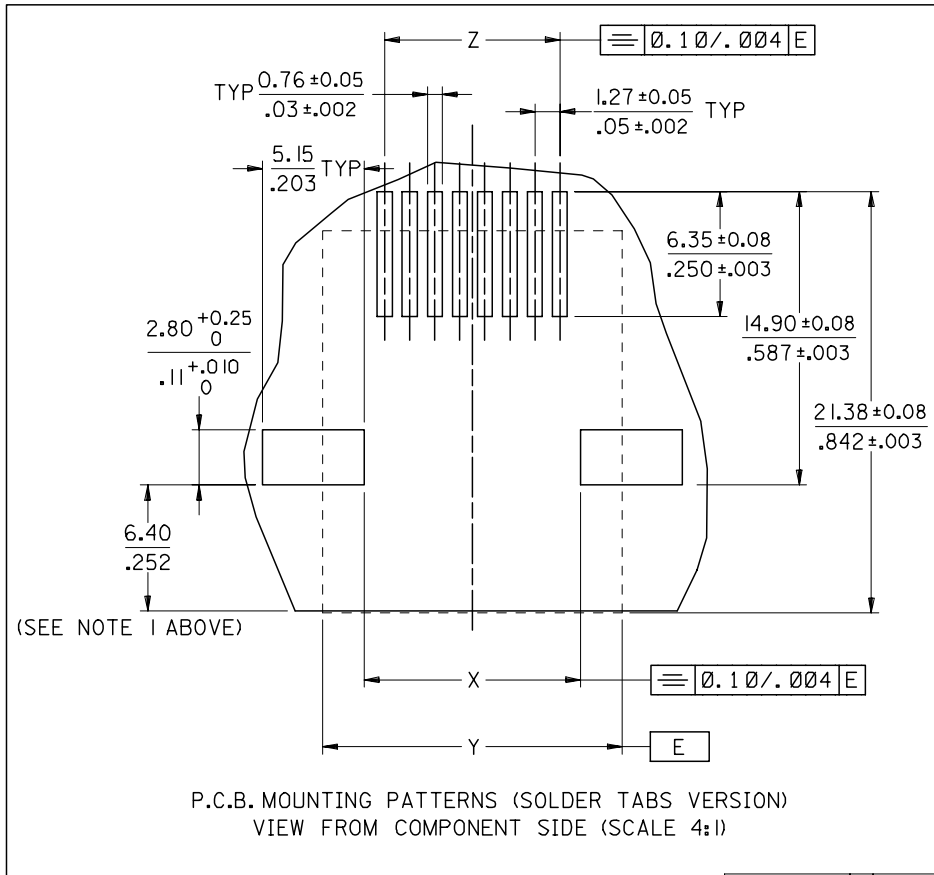
NOTE 8.



MODIFIED MATERIAL EC NO: E2007-0717 DRWN:DBYRNES 2007/02/15 CHKD: 2007/02/15 APPR:EOMAHONY 2007/02/15	QUALITY SYMBOLS	GENERAL TOLERANCES (UNLESS SPECIFIED)		DIMENSION STYLE	SCALE	DESIGN UNITS	THIRD ANGLE PROJECTION
	▽=0 ▽=0	mm	INCH	MM/IN	5:1	METRIC	
		4 PLACES ± ---	± ---	DB	DATE	TITLE	
		3 PLACES ± ---	± .010	DATE	R/A LOW PROFILE TRUE SMT 4,6 & 8 CONTACTS PC JACK WITH SIDE SOLDER TABS		
	2 PLACES ± 0.25	± .014	EOMAHONY	DATE	MOLEX INCORPORATED		
	1 PLACE ± 0.35	± ---	EOMAHONY	DATE	MATERIAL NO.		
	ANGULAR ± 2 °		SEE CHART SHT 2		DOCUMENT NO.	SHEET NO.	
	DRAFT WHERE APPLICABLE MUST REMAIN WITHIN DIMENSIONS		SIZE		SD-85502-101	1 OF 2	
			A3		THIS DRAWING CONTAINS INFORMATION THAT IS PROPRIETARY TO MOLEX INCORPORATED AND SHOULD NOT BE USED WITHOUT WRITTEN PERMISSION		

9 8 7 6 5 4 3 2 1

NOTE 1: RECOMMENDED DISTANCE FROM THE PCB'S EDGE



PART NUMBERS FOR TRUE SMT JACK WITH SOLDER TABS								
HOUSING COLOR	POS 4	TOOLED	POS 6	TOOLED	POS 6	TOOLED	POS 8	TOOLED
	4 CKTS		4 CKTS		6 CKTS		8 CKTS	
STANDARD VERSION	BLACK	85502-5005	85502-5006	85502-5007	85502-5008			

TYPE	POS 4	POS 6		POS 8
	4 CKTS	4 CKTS	6 CKTS	8 CKTS
A ±0.15/.006	3.81 / .150	3.81 / .150	6.35 / .250	8.89 / .350
B	11.18 / .440	13.21 / .520	13.21 / .520	15.24 / .600
C (REF)	8.50 / .335	8.50 / .335	8.50 / .335	12.00 / .472
D ±0.35/.014	14.13 / .556	16.16 / .636	16.16 / .636	18.19 / .716
X ±0.10/.004	6.94 / .273	8.97 / .353	8.97 / .353	11.00 / .433
Y (REF)	11.18 / .440	13.21 / .520	13.21 / .520	15.24 / .600
Z ±0.05/.002	3.81 / .150	3.81 / .150	6.35 / .250	8.89 / .350

P.C.B. MOUNTING PATTERNS (SOLDER TABS VERSION)
VIEW FROM COMPONENT SIDE (SCALE 4:1)

SEE SHEET 1
EC NO: E2007-0717
DRWN:DBYRNES
CHKD:
APPR:EOMAHONY
2007/02/15
2007/02/15
2007/02/15

QUALITY SYMBOLS
▽=0
∇=0

GENERAL TOLERANCES (UNLESS SPECIFIED)

	mm	INCH
4 PLACES	± ---	± ---
3 PLACES	± ---	± .010
2 PLACES	± 0.25	± .014
1 PLACE	± 0.35	± ---

ANGULAR ± 2 °

DRAFT WHERE APPLICABLE MUST REMAIN WITHIN DIMENSIONS

DIMENSION STYLE MM/IN

SCALE 5:1

DESIGN UNITS METRIC

THIRD ANGLE PROJECTION

DRAWN BY DB DATE 2006/06/12

CHECKED BY EOMAHONY DATE 2006/06/15

APPROVED BY EOMAHONY DATE 2006/06/15

MATERIAL NO. SEE CHART

DOCUMENT NO. SD-85502-101

SHEET NO. 2 OF 2

R/A LOW PROFILE TRUE SMT 4 & 8 CONTACTS PC JACK WITH SIDE SOLDER TABS

MOLEX INCORPORATED

THIS DRAWING CONTAINS INFORMATION THAT IS PROPRIETARY TO MOLEX INCORPORATED AND SHOULD NOT BE USED WITHOUT WRITTEN PERMISSION