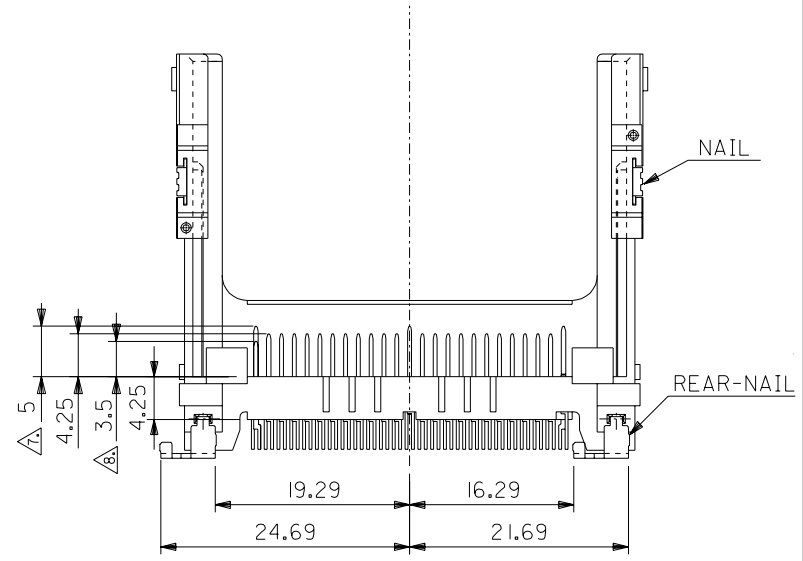
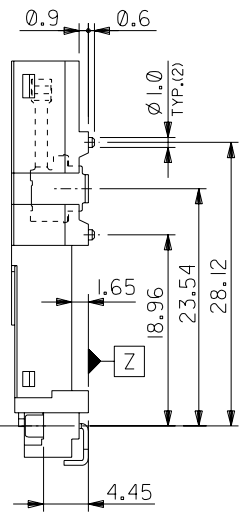
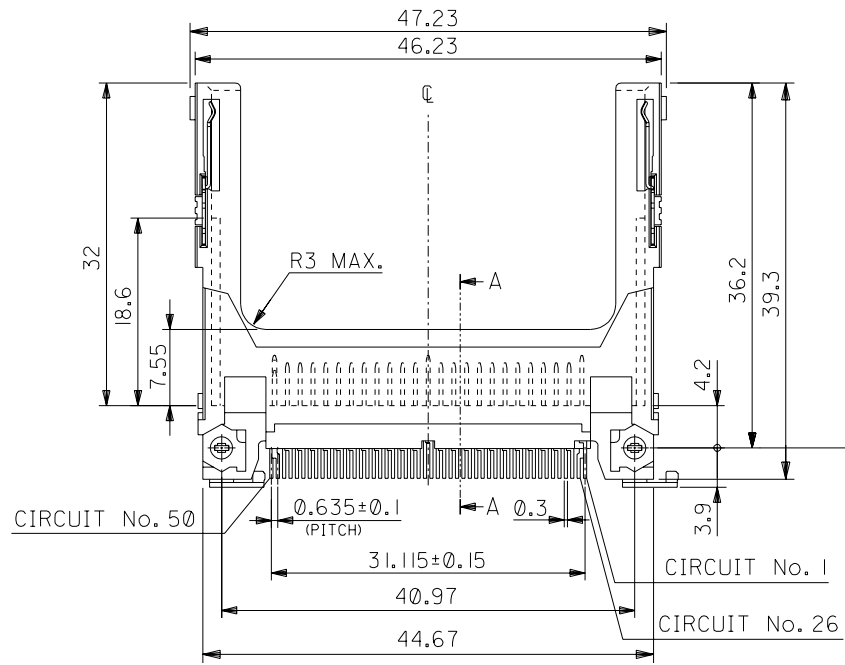
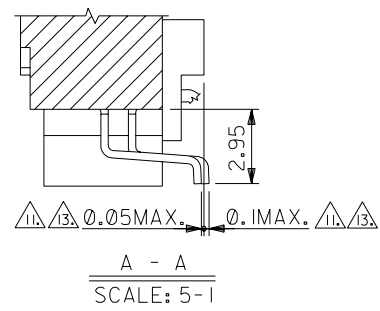
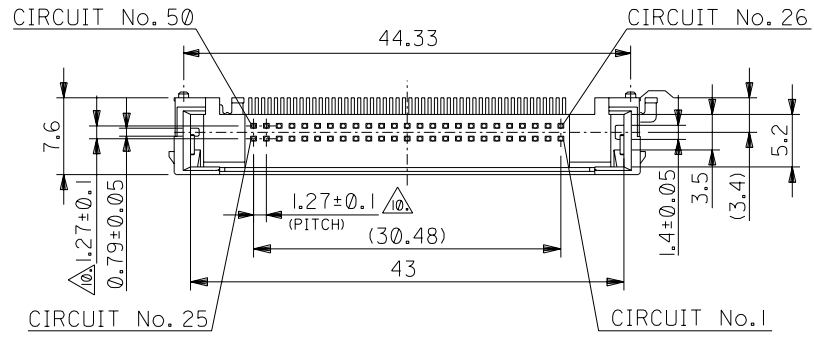


DWG. NO. SD-55358-015



55358-5038	55358-5039	55358-50**
HARD TRAY PACKAGE	MATERIAL No.	MODEL No.

DO NOT SCALE DRAWING

EC NO. DRWN: CHK: APPR:	EC NO. DRWN: CHK: APPR:	EC NO. DRWN: CHK: APPR:	EC NO. DRWN: CHK: APPR:	EC NO. DRWN: CHK: APPR:
RELEASED				
EC NO. J2004-3952				
DRWN: M.NABEI '04/04/22				
CHK: K.TOJO '04/04/22				
APPR: MSASAO '04/04/22				

MATERIAL 材料	SEE NOTES
FINISH 仕上り	SEE NOTES
WIRE RANGE 適用線径範囲	#
INS. RANGE 被覆外径	#

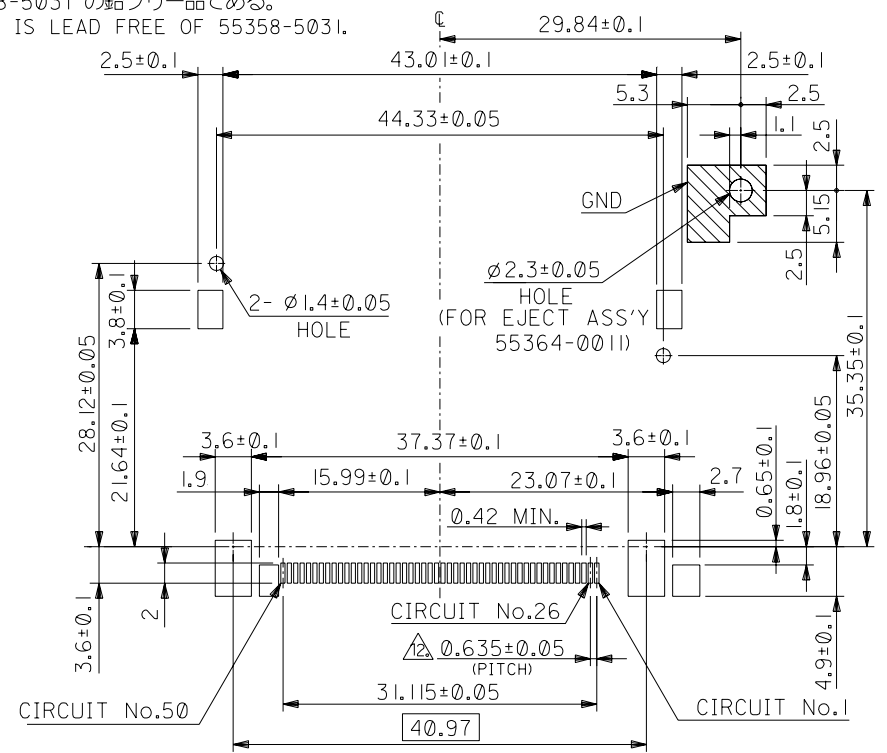
GENERAL TOLERANCES: (UNLESS SPECIFIED) 一般公差	
10 UNDER 未満	±0.2
10 OVER 30 UNDER 以上 未満	±0.25
30 OVER 以上	±0.3
ANGLE 角度	±3°

SCALE 2 - 1	DESIGN UNITS <input checked="" type="checkbox"/> mm <input type="checkbox"/> INCH	THIRD ANGLE PROJECTION	DIMENSIONS: <input type="checkbox"/> mm <input type="checkbox"/> INCH <input type="checkbox"/> mm <input checked="" type="checkbox"/> INCH	SHT REV
DRAWN BY & DATE M.NABEI '04/04/22		TITLE: CF CARD CONN. 50P HEADER ASS'Y (TYPE I/II, NORMAL) -LEAD FREE-		
CHECKED BY & DATE K.TOJO '04/04/22		MOLEX INCORPORATED		
APPROVED BY & DATE M. Sasao '04/04/22		MATERIAL NO. SEE CHART	DRAWING NO. SD-55358-015	SHEET NO. 1 OF 2
THIS DRAWING CONTAINS INFORMATION THAT IS PROPRIETARY TO MOLEX INCORPORATED AND SHOULD NOT BE USED WITHOUT WRITTEN PERMISSION.				SIZE B

8 7 6 5 4 3 2 1
DWG. NO. SD-55358-015

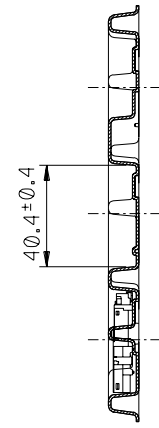
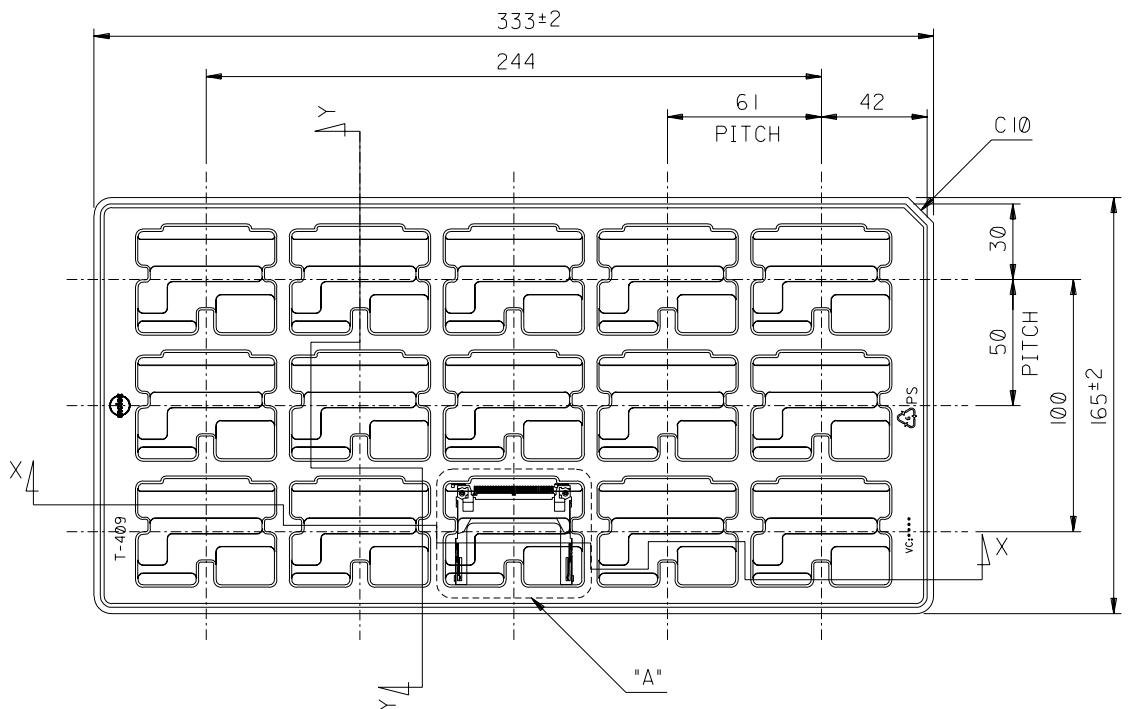
- 注) 1. 材質 MATERIAL
ハウジング: ガラス入りLCP UL 94V-0
HOUSING: LIQUID CRYSTAL POLYMER G.F. UL94V-0
ピン: リン青銅
PIN: PHOSPHOR BRONZE
ネール: リン青銅 (t0.3)
NAIL: PHOSPHOR BRONZE (t0.3)
リヤネール: リン青銅 (t0.48)
REAR-NAIL: PHOSPHOR BRONZE (t0.48)
2. メッキ仕様 PLATING
ピン 接点部: 金メッキ
CONTACT AREA: GOLD
半田付け部: 錫メッキ
SOLDER TAIL AREA: TIN
下地メッキ: ニッケルメッキ
UNDERPLATING: NICKEL OVER ALL
ネール 接点部: 金メッキ
CONTACT AREA: GOLD
半田付け部: 錫メッキ
SOLDER TAIL AREA: TIN
下地メッキ: ニッケルメッキ
UNDERPLATING: NICKEL OVER ALL
リヤネール 錫メッキ
REAR-NAIL TIN
下地メッキ: ニッケルメッキ
UNDERPLATING: NICKEL OVER ALL
3. 推奨基板厚: t=0.8 MIN.
RECOMMENDED P.C.B. THICKNESS: t=0.8 MIN.
4. 適合カード厚: 3.3±0.1 (TYPE I) AND 5 MAX. (TYPE II)
RECOMMENDED CARD THICKNESS: 3.3±0.1 (TYPE I) AND 5 MAX. (TYPE II)
5. 適合カード幅: 42.8±0.1
RECOMMENDED CARD WIDTH: 42.8±0.1
6. ハウジング色: 黒
HOUSING COLOR: BLACK
7. 寸法適用極: 1,13,38,50
THIS DIMENSION APPLIES TO CIRCUIT NUMBERS 1,13,38 AND 50.
8. 寸法適用極: 25,26
THIS DIMENSION APPLIES TO CIRCUIT NUMBERS 25 AND 26.
9. ピンの倒れは、ピン根元を基準に全方向へ0.1 MAX.とする。
PIN TIP LEAN TOWARD ANY DIRECTION NOT TO EXCEED 0.1 WHEN MEASURED FROM PIN BASE.
10. ピン根元に適用する。
THIS DIMENSION TO BE MEASURED AT PIN BASE.

11. ソルダーテールは、Z面を基準とし上へ0.05下へ0.1の範囲にあり、且つソルダーテールの平坦度は、0.1 MAX.とし、テール先端にて測定する。
SOLDERTAILS TO BE WITHIN 0.05 UPWARD AND 0.1 DOWNWARD FROM Z-DATUM PLACE, AND COPLANARITY OF SOLDERTAILS TO BE WITHIN 0.1. MEASUREMENT POINT IS SOLDERTAILS TIP.
12. 公差非累積 NON-CUMULATIVE
13. テールとネール、リヤネールを併せた平坦度は、0.1 MAX.とする。
TOTAL COPLANARITY OF SOLDER TAILS, NAILS AND REAR-NAILS TO BE 0.1 MAX.
14. 本製品は 55358-5031 の鉛フリー品である。
THIS PRODUCT IS LEAD FREE OF 55358-5031.

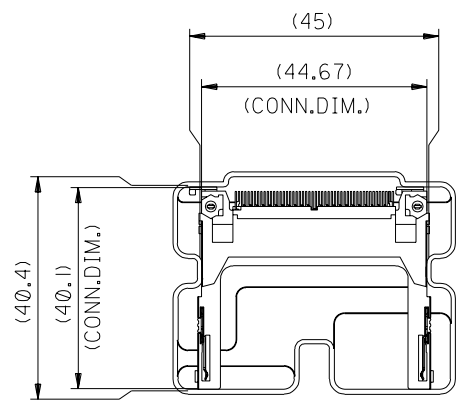


DO NOT SCALE DRAWING

EC NO. DRWN: CHK: APPR:	EC NO. DRWN: CHK: APPR:	EC NO. DRWN: CHK: APPR:	EC NO. DRWN: CHK: APPR:	EC NO. DRWN: CHK: APPR:	REV	MATERIAL 材料	GENERAL TOLERANCES: (UNLESS SPECIFIED) 一般公差	55358-50**	MODEL NO.	DIMENSIONS:	SHT	REV	
						SEE NOTES	10 UNDER 未満	±0.2	SCALE 2 - 1 DESIGN UNITS <input checked="" type="checkbox"/> mm <input type="checkbox"/> INCH	<input type="checkbox"/> mm <input type="checkbox"/> INCH <input type="checkbox"/> mm ONLY	THIRD ANGLE PROJECTION	TITLE: CF CARD CONN. 50P HEADER ASS'Y (TYPE I/II, NORMAL) -LEAD FREE-	REVISE ON CAD ONLY
						FINISH 仕上げ	10 OVER 以上	30 UNDER 未満	±0.25	DRAWN BY & DATE M.NABEI '04/04/22	MATERIAL NO. DRAWING NO. SHEET NO.	SD-55358-015.S02	2
SEE NOTES	30 OVER 以上	±0.3	CHECKED BY & DATE K.TOJO '04/04/22	MATERIAL NO. #	DRAWING NO. SD-55358-015	SHEET NO. 2							
WIRE RANGE 適用電線範囲		#		ANGLE 角度	±3°	CAD FILENAME SD-55358-015.S02		THIS DRAWING CONTAINS INFORMATION THAT IS PROPRIETARY TO MOLEX INCORPORATED AND SHOULD NOT BE USED WITHOUT WRITTEN PERMISSION.			SIZE B		



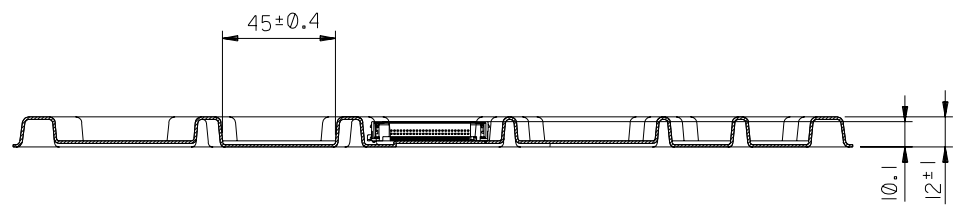
SECT. Y-Y



DETAIL A
(SCALE 1-1)

NOTES

1. 一般公差: ±0.5
GENERAL TOLERANCES: ±0.5
2. 反り: 2MAX.
WARP: 2MAX.
3. 梱包数: 15個
PACKAGING QUANTITY: 15PCS.
4. 本製品は 55358-5026/-5036 の鉛フリー品である。
THIS PRODUCT IS LEAD FREE OF 55358-5026/-5036.



SECT. X-X

15	55358-5039	55358-5038	50
	55358-5029	55358-5028	
梱包数量 QUANTITY	コネクタ番号 CONNECTOR No.	製品番号 MATERIAL No.	極数 CKT.

DO NOT SCALE DRAWING

64 NO. DRWN: CH'K: APPR: 63 NO. DRWN: CH'K: APPR: 62 NO. DRWN: CH'K: APPR: 61 NO. DRWN: CH'K: APPR:	RELEASED 60 NO. J2004-3952 DRWN: M.NABEI CH'K: K.TOJO APPR: M.SASAO	MATERIAL 材料 POLYSTYRENE (t=1.0)	GENERAL TOLERANCES: (UNLESS SPECIFIED) 一般公差 10 UNDER 未満 ±0.2 10 OVER 30 UNDER 未満 ±0.25 30 OVER 以上 ±0.3 ANGLE 角度 ±3°	55358-50**		MODEL NO.	DIMENSIONS:		SHT	REV	
				SCALE 1:2	DESIGN UNITS <input checked="" type="checkbox"/> mm <input type="checkbox"/> INCH	<input checked="" type="checkbox"/> FIRST ANGLE PROJECTION	<input type="checkbox"/> mm <input type="checkbox"/> INCH	<input checked="" type="checkbox"/> mm ONLY	<input type="checkbox"/> mm ONLY	<input type="checkbox"/> INCH	<input type="checkbox"/> mm ONLY
				DRAWN BY & DATE M.NABEI '04/04/22	TITLE: TRAY FOR CF CARD CONN. 50P HEADER HS'G ASS'Y -LEAD FREE-						
				CHECKED BY & DATE K.TOJO '04/04/22	MOLEX INCORPORATED						
				APPROVED BY & DATE M.SASAO '04/04/22	CAD FILENAME SD-55358-016.S01	MATERIAL NO. SEE CHART	DRAWING NO. SD-55358-016	SHEET NO. 1 OF 1			
				INS. RANGE 被覆外径 //	THIS DRAWING CONTAINS INFORMATION THAT IS PROPRIETARY TO MOLEX INCORPORATED AND SHOULD NOT BE USED WITHOUT WRITTEN PERMISSION.						SIZE B