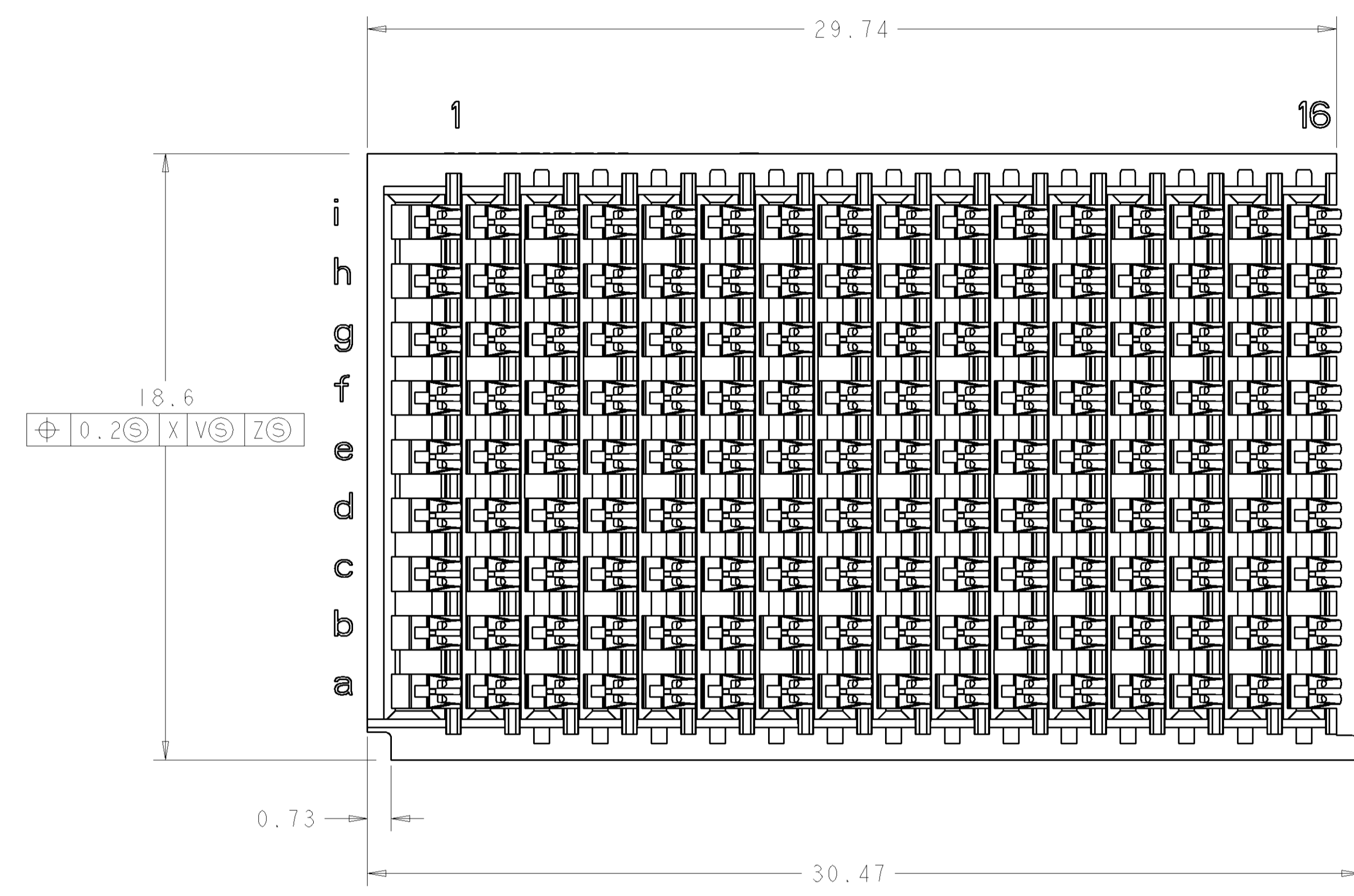
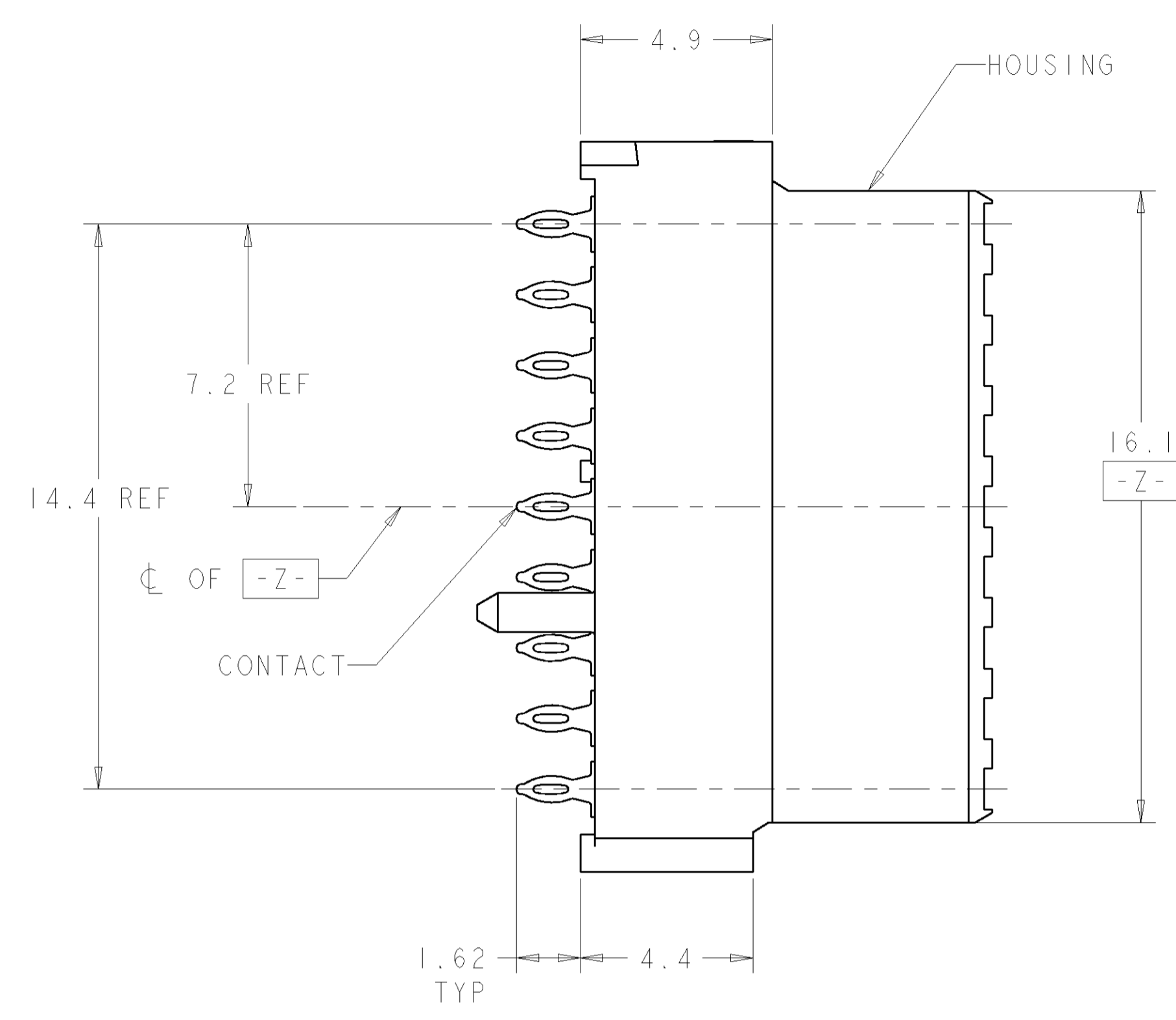
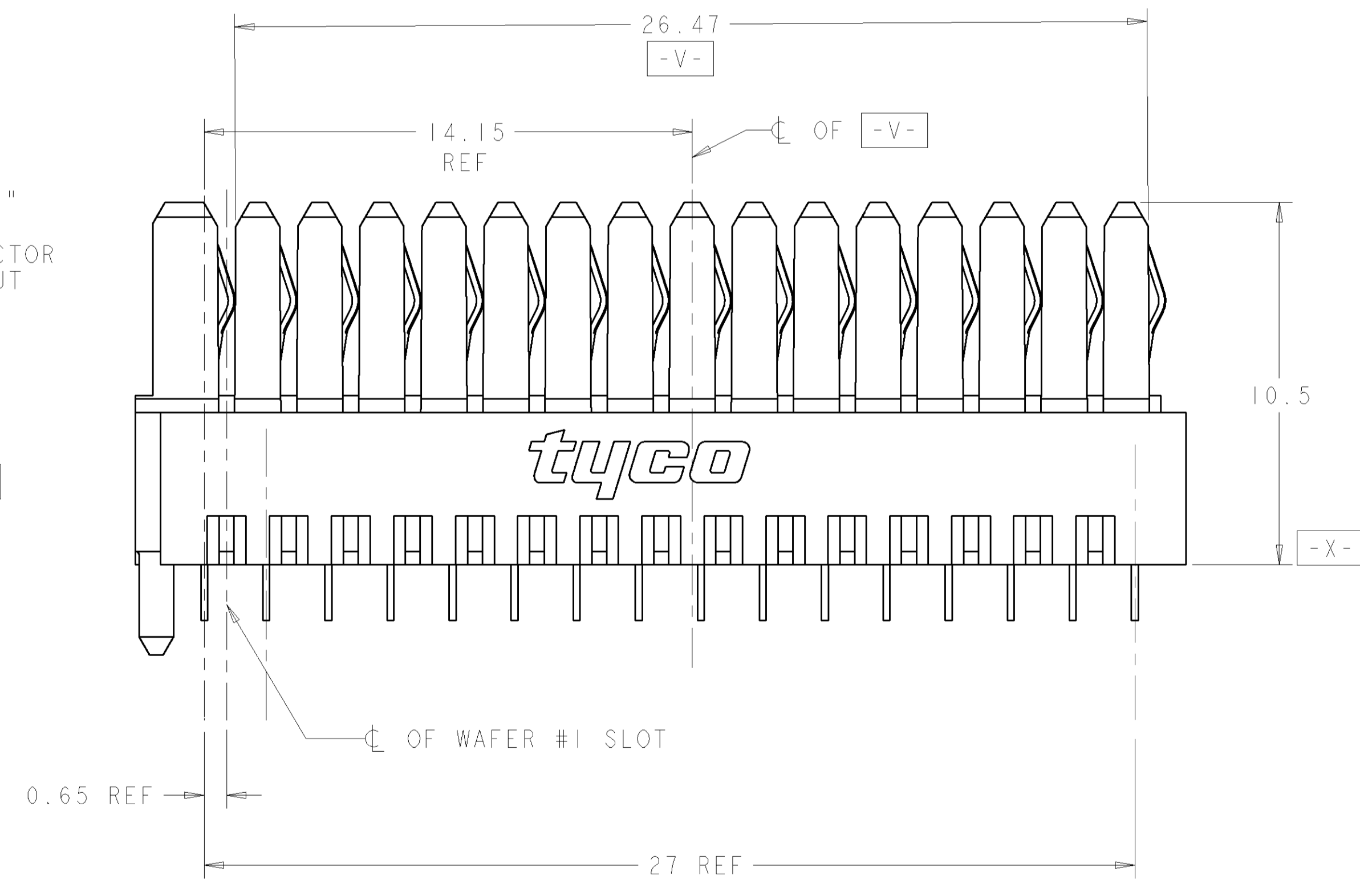
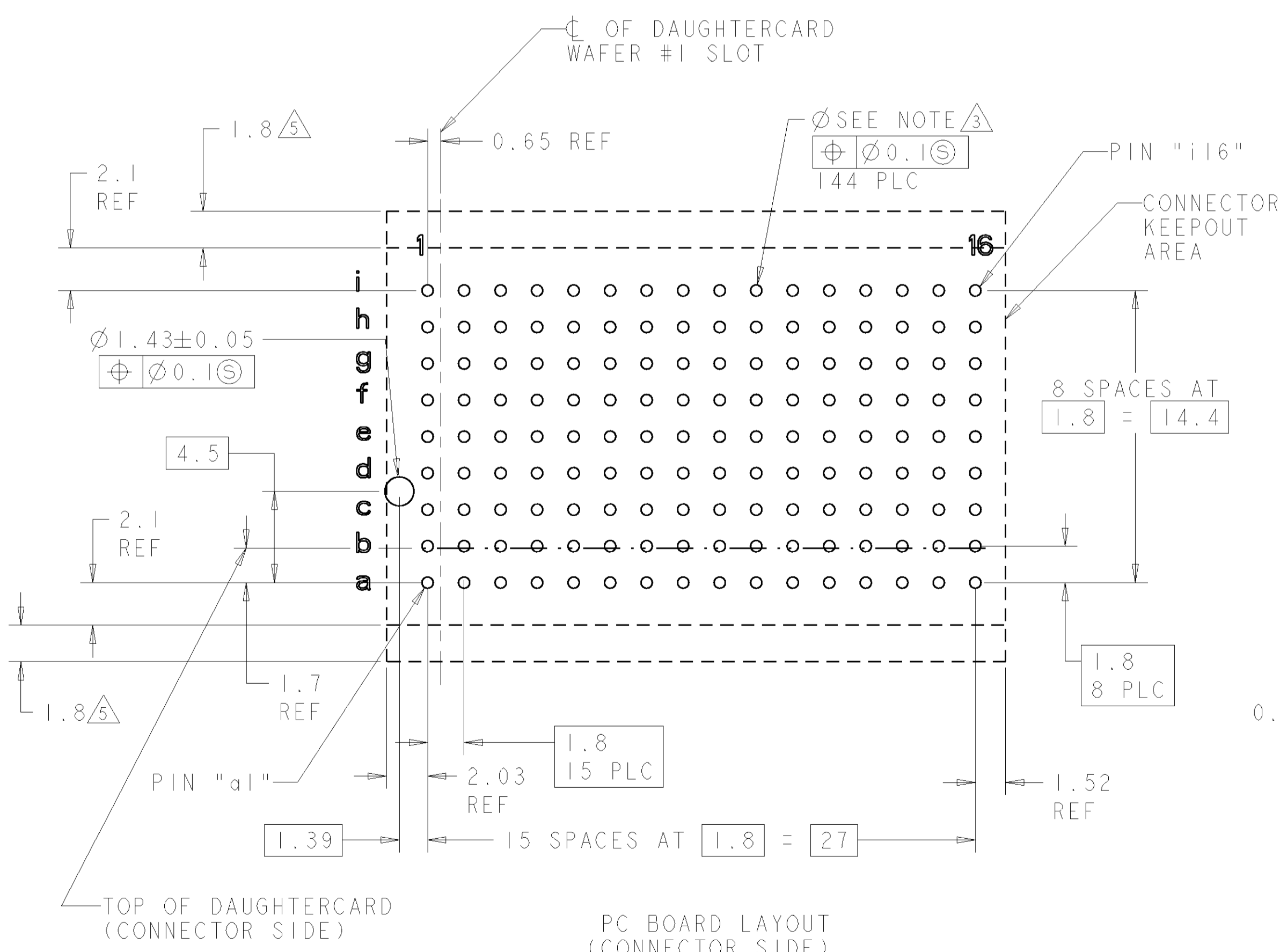


REVISONS		DATE	BY	APPD
GP	00			
01	PROPOSED	12NOV2002	RT	JJC
02	ADD 1410141-2 AND KEEP-OUT AREA	10JUL2004	RT	JJC
03	ADDED PRELIMINARY	26AUG2004	LS	JJC
A	REV PER ECO-06-006525	29MAR2006	BC	GG



- 1 HOUSING: LCP, UL94V0, COLOR: BLACK. CONTACT: PHOSPHOR BRONZE.
- 2 FINISH: 1.27μm GOLD IN CONTACT AREA 1.27μm MIN. TIN-LEAD ON PCB TAIL OVER 3.81μm MIN. NICKEL OVER ALL.
- 3 MANUFACTURING TOLERANCE FOR:
 Ø0.56±0.05 FINISHED HOLE WITH Sn PB PLATING:
 DRILLED HOLE = Ø0.65±0.02
 COPPER PLATING = 0.025-0.050
 Sn PB PLATING = 0.0038-0.0124
 OR
 Ø0.575±0.050 FINISHED HOLE WITHOUT Sn PB PLATING:
 DRILLED HOLE = Ø0.65±0.02
 COPPER PLATING = 0.025-0.050
- 4 FINISH: 1.27μm GOLD IN CONTACT AREA 1.27μm MIN. TIN ON PCB TAIL OVER 3.81μm MIN. NICKEL OVER ALL.
- 5 ADDITIONAL CONNECTOR-SIDE KEEP-OUT AREA REQUIRED IF CONNECTOR-SIDE EXTRACTION TOOL IS TO BE USED.



4	1410141-2
2	1410141-1
PLATING	PART NO

DIMENSIONS: mm TOLERANCES UNLESS OTHERWISE SPECIFIED: 0 PLC ± 1 PLC ±0.5 2 PLC ±0.13 3 PLC ± 4 PLC ± ANGLES ±1°		DWN R. TREA 12NOV2002 ENH J. CONSOLI 18NOV2002 APVD 18NOV2002	tyco Electronics Tyco Electronics Harrisburg, PA 17105-3608
MATERIAL: SEE TABLE FINISH: SEE TABLE		PRODUCT SPEC 108-2072 APPLICATION SPEC 114-13056 WEIGHT: - CUSTOMER DRAWING	NAME: CONNECTOR ASSEMBLY, BACKPLANE VERTICAL RECEPTACLE, LEFT END, 20.3mm, MultiGig RT 2 SIZE: 00779 CAGE CODE: 1410141 SCALE: 8:1 SHEET 1 OF 1 REV A