

2478- \* - \* - \*

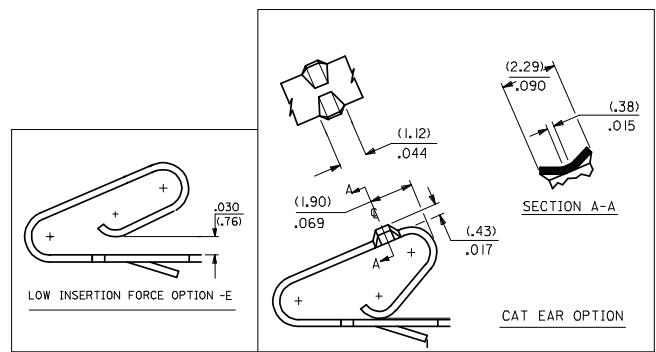
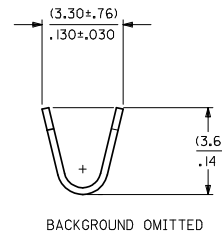
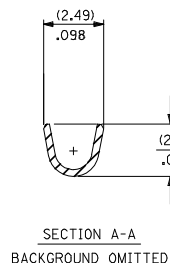
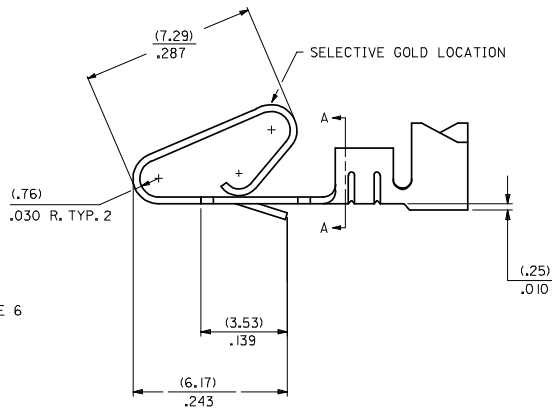
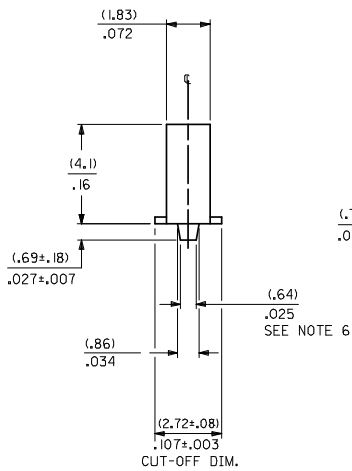
MATERIAL CODE  
(.27)/.0106 THK  
1=BRASS  
3=PHOS BRONZE

OPTION CODE  
BLANK=AS SHOWN  
C=CAT EAR OPTION  
D=OPTIONAL CONDUCTOR CRIMP (FOR IRELAND) (SEE OPT. SECTION A-A) WITHOUT CAT EARS  
E=LOW INSERTION FORCE OPTION

WINDING SPEC.  
A=PER ES-339-A  
BLANK=PER ES-339-B  
L=LOOSE

FINISH: PER SDES-88  
(P909) \*OVERALL HOT TIN DIP: 2.54 MICROMETERS MIN.  
(550) SELECT GOLD: 0.38 MICROMETERS MIN.  
OVERALL GOLD FLASH: 0.05 MICROMETERS MIN.  
OVERALL NICKEL UNDERPLATE: 0.76 MICROMETERS MIN.  
(555) SELECT GOLD: 0.38 MICROMETERS MIN.  
OVERALL NICKEL UNDERPLATE: 0.76 MICROMETERS MIN.

\*THE PRIMARY SHIPPING CARTON WILL BE LABELED "COMPLIANT TO RoHS DIRECTIVE 2002/95/EC AND ELV ANNEX II OF DIRECTIVE 2000/53/EC". CARTONS WITHOUT THIS LABEL MAY CONTAIN PRODUCT WITH TIN/LEAD PLATING.



- NOTES:
- CRIMP ACCEPTS 18 TO 24 GA. WIRE WITH (2.79)/.110 MAX. INSUL. DIA.; WHEN USED WITH 2574 CONNECTOR, (2.54)/.100 MAX. INSUL. DIA. WHEN USED WITH 2139 CONNECTOR; HOUSING 41695 IS RECOMMENDED FOR OVER (2.54)/.100 DIA. INSULATION. CRIMP ACCEPTS (3.00)/.118 MAX. INSUL. DIA. WITH SPECIAL TOOLING.
  - DIMENSIONS GIVEN ACROSS CENTERLINES ARE SYMMETRICAL ABOUT THOSE CENTERLINES WITHIN HALF THE TOTAL TOLERANCE.
  - 
  - 
  - 
  - (.86±.05)/.034±.002 IS AN OPTIONAL DESIGN.
  - THIS PART CONFORMS TO PRODUCT SPEC. 08-50.
  - CONDUCTOR CRIMP FOR 16 AWG. WIRE WITH .110 MAX. INSULATION DIA.

CHANGE TO ME10 EC NO: UCP2005-0902 DRAWN BY: DRWNADRIANOL 2004/11/16 CHKD BY: CHKDSAMIEC 2006/03/28 APPROVED BY: APPRPHARMACULIS 2004/11/02/28	QUALITY SYMBOLS ▽=0 ▽=0	GENERAL TOLERANCES (UNLESS SPECIFIED)		DIMENSION STYLE IN/MM		SCALE	DESIGN UNITS INCH	THIRD ANGLE PROJECTION
		4 PLACES ±.005 ±.005	3 PLACES ±.005 ±.010	2 PLACES ±.025 ±.014	1 PLACE ±.036 ±.014	ANGULAR ±1/2°	DRAWN BY: SAMIEC 06/03/86	DATE: 06/03/86
DRAFT WHERE APPLICABLE MUST REMAIN WITHIN DIMENSIONS		MATERIAL NO. SEE CHART		DOCUMENT NO. SD-2478		MOLEX INCORPORATED		
SIZE D		THIS DRAWING CONTAINS INFORMATION THAT IS PROPRIETARY TO MOLEX INCORPORATED AND SHOULD NOT BE USED WITHOUT WRITTEN PERMISSION						

