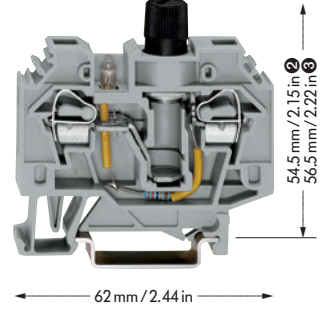
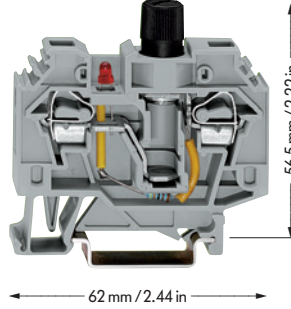
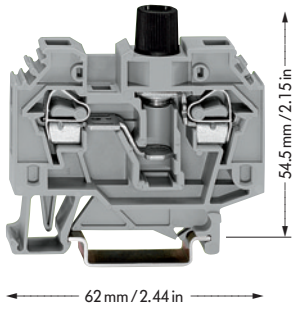


<p>0.2 – 6 mm² 500 V/6 kV/3 max. ① 10 A max. ①</p> <p>Terminal block width 13 mm / 0.512 in 12 – 13 mm / 0.49 in</p> <p>* VDE KEMA GL</p>	<p>AWG 24 – 10 600 V, 10 A ① ② 250 V, 10 A ① ③</p>	<p>0.2 – 6 mm² 120 V ≈ 10 A max. ①</p> <p>Terminal block width 13 mm / 0.512 in 12 – 13 mm / 0.49 in</p> <p>* VDE KEMA</p>	<p>AWG 24 – 10 24/110 V, 10 A ① ② 24/110 V, 10 A ① ③</p>	<p>0.2 – 6 mm² 250 V ≈ 10 A max. ①</p> <p>Terminal block width 13 mm / 0.512 in 12 – 13 mm / 0.49 in</p> <p>* VDE KEMA</p>	<p>AWG 24 – 10 250 V, 10 A ① ② 220 V, 10 A ① ③</p>
---	--	--	--	--	--



Item No.	Pack. unit pcs	Item No.	Pack. unit pcs	Item No.	Pack. unit pcs
Fuse terminal block, with indicator		Fuse terminal blocks,		Fuse terminal blocks,	
grey, 5 x 25 mm 282-126	40	with neon lamp AC/DC 120 V		with neon lamp AC 250 V/DC 220 V	
		grey, 1/4" x 1 1/4" 282-128/281-418	40	grey, 5 x 20 mm 282-124 ②	40
		with LED DC 24 V		grey, 1/4" x 1 1/4" 282-128/281-417 ③	40
		grey, 1/4" x 1 1/4" 282-128/281-413	40		

Appropriate marking system **WMB/WSB** (see section 14)

4 mm / 0.157 in thick		4 mm / 0.157 in thick		4 mm / 0.157 in thick	
orange 282-312	50 (2 x 25)	orange 282-312	50 (2 x 25)	orange 282-312	50 (2 x 25)
grey 282-311	50 (2 x 25)	grey 282-311	50 (2 x 25)	grey 282-311	50 (2 x 25)
6 mm / 0.236 in wide 249-116	100 (4 x 25)	6 mm / 0.236 in wide 249-116	100 (4 x 25)	6 mm / 0.236 in wide 249-116	100 (4 x 25)
10 mm / 0.394 in wide 249-117	50 (2 x 25)	10 mm / 0.394 in wide 249-117	50 (2 x 25)	10 mm / 0.394 in wide 249-117	50 (2 x 25)
I _N 41 A		I _N 41 A		I _N 41 A	
grey 282-402	100 (4 x 25)	grey 282-402	100 (4 x 25)	grey 282-402	100 (4 x 25)
8 mm / 0.315 in wide		8 mm / 0.315 in wide		8 mm / 0.315 in wide	
209-170	50 (2 x 25)	209-170	50 (2 x 25)	209-170	50 (2 x 25)
for test plug 4 mm / 0.157 in Ø		for test plug 4 mm / 0.157 in Ø		for test plug 4 mm / 0.157 in Ø	
I _N 24 A		I _N 24 A		I _N 24 A	
281-407	100 (4 x 25)	281-407	100 (4 x 25)	281-407	100 (4 x 25)
				282-451	200 (20 x 10)
				282-452	200 (20 x 10)
				282-453	200 (20 x 10)
				282-457	200 (20 x 10)
				282-454	200 (20 x 10)